

ARK-7060

Intel® 2nd Gen. Xeon®-D Extreme Performance Box PC

Preliminary



Features

- Intel® Xeon® D-1700 series processor
- 4x DDR4 SO-DIMM sockets support ECC/non-ECC memory up to 128GB
- Versatile expansion: PCI, PCIe4, PCIe16, M.2 B key, M.2 E key
- 850W power supply built-in
- Support up to 4 x 2.5" hard drive bays
- Optional 2 x 10GbE Ethernet ports
- IPMI 2.0-compliant management with reliability and security enhancements



WISE-DeviceOn SUSI API



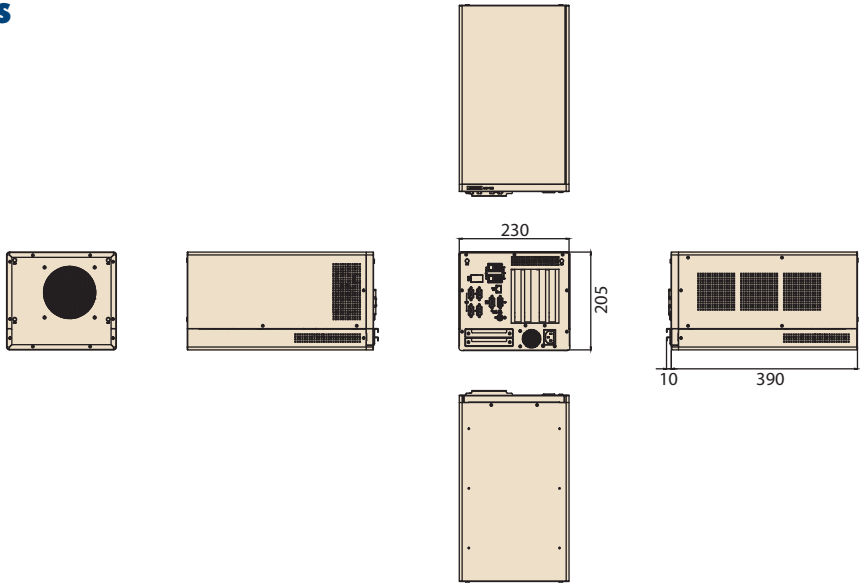
Specifications

Processor System	CPU	Intel® Xeon D-1700 Series, upto 10 Core
	Frequency	TBD
	L3 Cache	15MB
	TDP	Up to 67W
	Chipset	N/A
	BIOS	AMI EFI 512Mbit
Memory	Technology	Up to 4x 2666/2933MHz DDR4 ECC/non-ECC SO-DIMM
	Max. Capacity	128 GB
	Socket	4 x 260-pin SO-DIMM
Ethernet	LAN1, 2	10/100/1000 Mbps Intel I210 GbE, support Wake On Lan
	LAN3, 4 (Optional)	10GbE via Intel X550 (support by optional AMO-I031), support Wake On Lan
Others	Watch dog Timer	255-level timer interval, setup by software
	TPM	TPM 2.0 (Support by optional AMO-I029)
I/O Interface	Serial Port	4 x RS-232/422/485 port with auto flow control
	USB	4 x USB 3.0 ports
	Video	1 x VGA via Aspeed AST2500 BMC
	Others	1 x GbE management port, 1 x console port
Expansions	M.2 B Key	1 support SIM holder#1
	M.2 E Key	1 for WiFi Module #1
	Add-on Card Slot	1 x PCIe4, Maximum card size 110mm(H) x 180mm(L) 1 x PCI, Maximum card size 110mm(H) x 180mm(L) 1 x PCIe16, Maximum card size 130mm(H) x 320mm(L) x 3-slot
Storage	HDD	2 x 2.5" swappable SATAIII HDD Bay with RAID 0/1 and max height 15mm (up to 4 x 2.5" SATAIII HDD Bay by CTOS or T-PN)
Software Support	Microsoft Windows	Windows Server, Windows 10
	Linux	By Project Support
Power Requirements	Power Type	ATX
	Power Input Voltage	100-240V AC
	Power Adapter	850W power supply built-in
Mechanical	Dimensions (W x H x D)	230 x 205 x 390 mm (9.05" x 8.07" x 15.35")
	Weight	9.7Kg
System Management	IPMI	Aspeed AST2500 BMC IPMI 2.0 with virtual media over LAN and KVM-over-LAN support
Environment	Operating Temperature	With extended temp peripherals: -10 ~ 50° C
	Storage Temperature	-40 ~ 85° C
	Relative Humidity	95% @ 40° C (non-condensing)
	EMC	CE/FCC Class B, CCC, BSMI
	Safety	CB(62368), UL(62368), CCC, BSMI

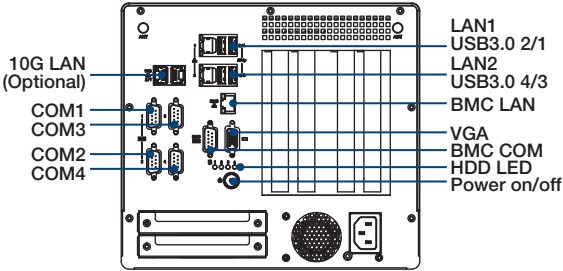
#1 SIM holder and M.2 slot are hardware interfaces for wireless communication integration only. System level RF certification is not available.

Dimensions

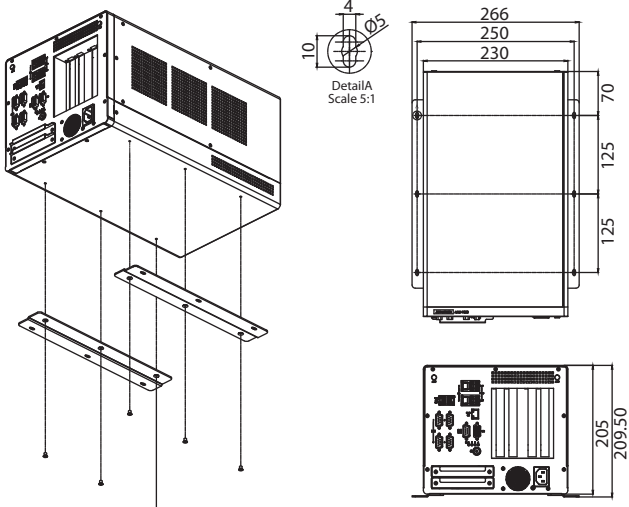
Unit: mm



Front Panel External I/O Mechanical Layout/Drawing



Wallmount



Ordering Information

Part No.	CPU	DDR4	Gbe	10GbE	VGA	2.5" SATA III HDD Bay	RS-232/422/485	USB 3.0	M.2 B Key	M.2 E Key	SIM	IPMI	Power Supply	Expansion
TBD	Intel Xeon D-1700 Series	Up to 128GB	2	2 (optional)	1	2 (Up to 4)	4	4	1	1	1	Yes	850W	1 x PCI 1 x PCIex4 1 x PCIex16

Note: Memory/Storage and operating system bundled by request.

Packing List

Part Number	Description
-	ARK-7060 Unit
-	User Manual (Simplified Chinese)
-	China RoHS

Embedded OS

Part Number	Description
TBD	