

PPC-324W-P7

23.8" Fanless Panel PC with Intel® Core™ i Processor



Features

- Industrial-grade 23.8" LCD panel with 30k backlight lifetime
- True-flat touchscreen with multi-touch projected capacitive control
- High-performance, fanless 7th generation Intel® Core™ i processor
- Up to 16 GB DDR4 SDRAM
- Compact, fanless design with aluminum alloy enclosure
- IP65-rated front panel
- Supports dual displays (1 x external HDMI)
- Supports full-size mini PCIe expansion
- Supports USB 3.0
- Supports VESA 100
- Supports TPM 2.0 (optional)



Introduction

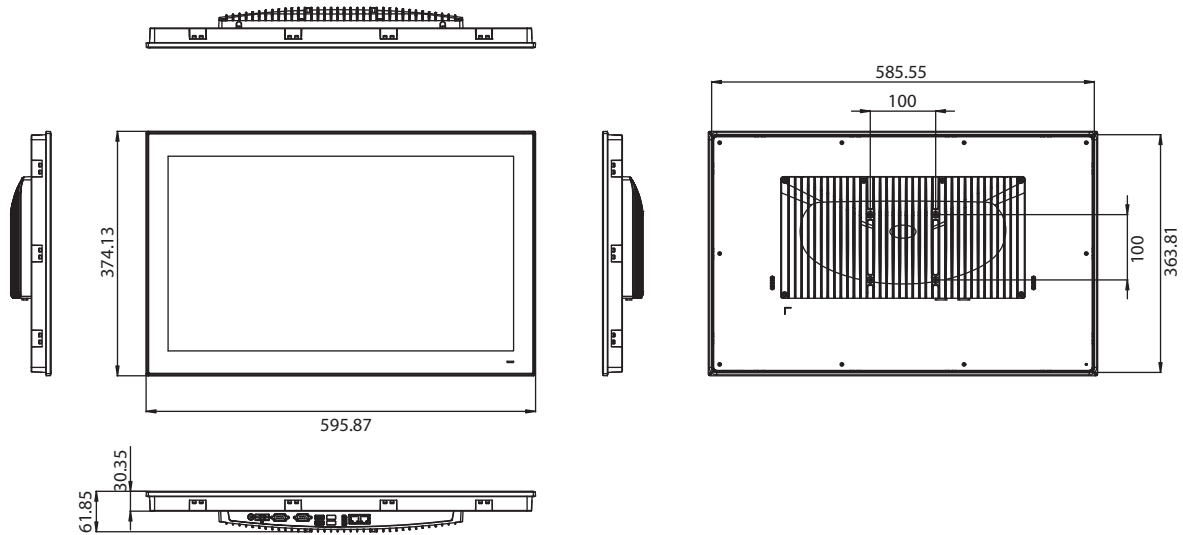
The PPC-324W-P7 is an all-in-one light panel PC with a wide format 23.8" industrial-grade LCD. Powered by 7th generation Intel® Core™ i processor, PPC-324W-P7 provides excellent performance, memory, graphics, and peripheral I/O support in a compact, fanless, embedded system. With a high durability design, PPC-324W-P7 features a true-flat touchscreen with IP65-rated front panel, and die cast aluminum alloy enclosure, making it ideal for diverse applications.

Specifications

| | | | | |
|--------------------------|---------------------------------|---|--|-----------------------------------|
| System | CPU | i3-7100U | i5-7300U | i7-7600U (Optional) |
| | Cores | Dual Core | Dual Core | Dual Core |
| | Frequency | 2.4 GHz | 2.6 GHz; 3.5 GHz with turbo boost | 2.8 GHz; 3.9 GHz with turbo boost |
| | L3 Cache | 3 MB | 3 MB | 4 MB |
| | TDP | 15W | 15W | 15W |
| | Memory | 1 x SODIMM DDR4 1866/2133 MHz (max. 16 GB) (1.2 V) | | |
| | Storage | 1 x 2.5" SATA bay 1 x mSATA bay | | |
| | Network (LAN) | 2 x 10/100/1000 Mbps Ethernet (Intel I211-AT; Intel I219LM) | | |
| | I/O | 2 x Serial ports: 1 x RS-232, 1 x RS-232/422/485 (Adjustable through BIOS) 2 x USB 3.0, 2 x USB 2.0 1 x HDMI 1 x TPM 2.0 internal (optional) | | |
| | Speaker | 2 x 1W | | |
| | Expansion | 1 x Full-size mini PCIe slot | | |
| | Watchdog Timer | 255 timer levels, set up by software | | |
| | Physical Characteristics | Dimensions | 595.9 x 374.1 x 61.5 mm (23.5" x 14.7" x 2.4") | |
| | Weight | 8.6kg (18.96lb) | | |
| OS Support | OS Support | Microsoft® Windows 10(64-bit), Windows 10 IOT LTSC, Linux | | |
| Power Consumption | Input Voltage | 12 ~ 24 V _{DC} | | |
| | Power Consumption | 80W | | |
| LCD | Display Type | 23.8" TFT LCD (LED backlight) | | |
| | Resolution | 1920 x 1080 | | |
| | Viewing Angle | 89(left), 89(right), 89(up), 89(down) | | |
| | Luminance (cd/m ²) | 350 | | |
| | Contrast Ratio | 1000 | | |
| | Backlight Lifetime | 30,000 hr | | |
| Touchscreen | Touch Type | 10-point multi-touch projected capacitive | | |
| | Light Transmission | ≥85% | | |
| | Controller | USB interface | | |
| Environment | Operating Temperature | 0 ~ 50 °C (32 ~ 122 °F) for SSD 0 ~ 45 °C (32 ~ 113 °F) for HDD | | |
| | Storage Temperature | -20 ~ 60 °C (-4 ~ 140 °F) | | |
| | Relative Humidity | 10 ~ 95% @ 40 °C (non-condensing) | | |
| | Shock | Operating 10 G peak acceleration (11 ms duration), follow IEC 60068-2-27 | | |
| | Vibration | Operating Random Vibration Test 5 ~ 500Hz, 1Grms @with HDD; 2Grms @with SSD, follow IEC 60068-2-64 | | |
| | EMC | CE, FCC Class B, BSMI, EN60601-1-2 | | |
| | Safety | CB, CCC, UL | | |
| Front Panel Protection | IP65 compliant | | | |

Dimensions

Unit: mm

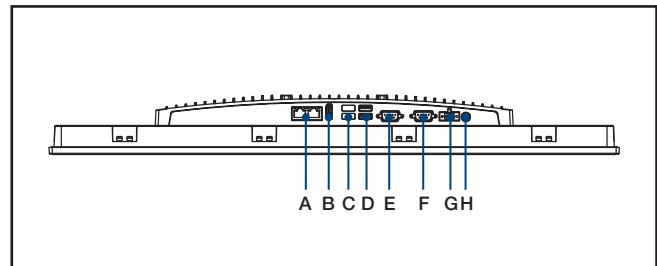


Panel Cutout Dimensions: 586.5 x 364.8 mm (23.09 x 14.36 in)

Ordering Information

| Part Number | Description |
|--------------------|--|
| PPC-324W-P750A | Intel Core i5-7300U Fanless Panel PC with 23.8" Full HD LED backlight |
| PPC-324W-P750AU | Intel Core i5-7300U Fanless Panel PC with 23.8" Full HD LED backlight, for U.S. only |
| PPC-324W-P730A | Intel Core i3-7100U Fanless Panel PC with 23.8" Full HD LED backlight |
| 96PSA-A150W19P2-3 | ADP A/D 100-240V 150W 19V C14 TERMINAL BLOCK 2P |
| PPC-WLAN-C1E | M.2 Wi-Fi Module with Antenna cable support 2T2R |
| PPC-ARM-A03 | ARM VESA Standard (A-CLEVER) for PPC series |
| PPC-174T-WL-MTE | Wall mount kit for PPC series |
| PPC-Stand-A1E | Stand for PPC series |
| 1702002600 | Power Cable UL/CSA (USA) 180D 125V10A 1.83M |
| 1702002605 | Power Cable 90D 220V EUROPEAN 250V/6A 1.8M |
| 96CB-POWER-B-1.8MA | POWER CORD for China 1.8M |
| 98R3P315100 | TPM 2.0 module |

I/O View



- A. 2 x LAN
- B. HDMI
- C. 2 x USB 3.0
- D. 2 x USB 2.0
- E. COM2: RS-232/422/485
- F. COM1: RS-232
- G. DC-In
- H. Power Button

PPC-412

12.1" Fanless Panel PC with Intel® Core™ i5-7300U Processor



Features

- 12.1" XGA TFT LCD with resistive touchscreen
- Intel® Core™ i5-7300U(default); i7-7600U/i3-7100U(optional) processor with fanless system design
- 1 x isolated RS-422/485 with auto flow
- Wide input power range (9 ~ 32 V_{DC})
- Dual Gigabit Ethernet with IEEE1588 support
- 3 x Independent displays
- 1 x M.2 bay (2242) for storage only
- 1 x TPM 2.0 internal support (optional)
- Supports VESA 75 mounting interface



Introduction

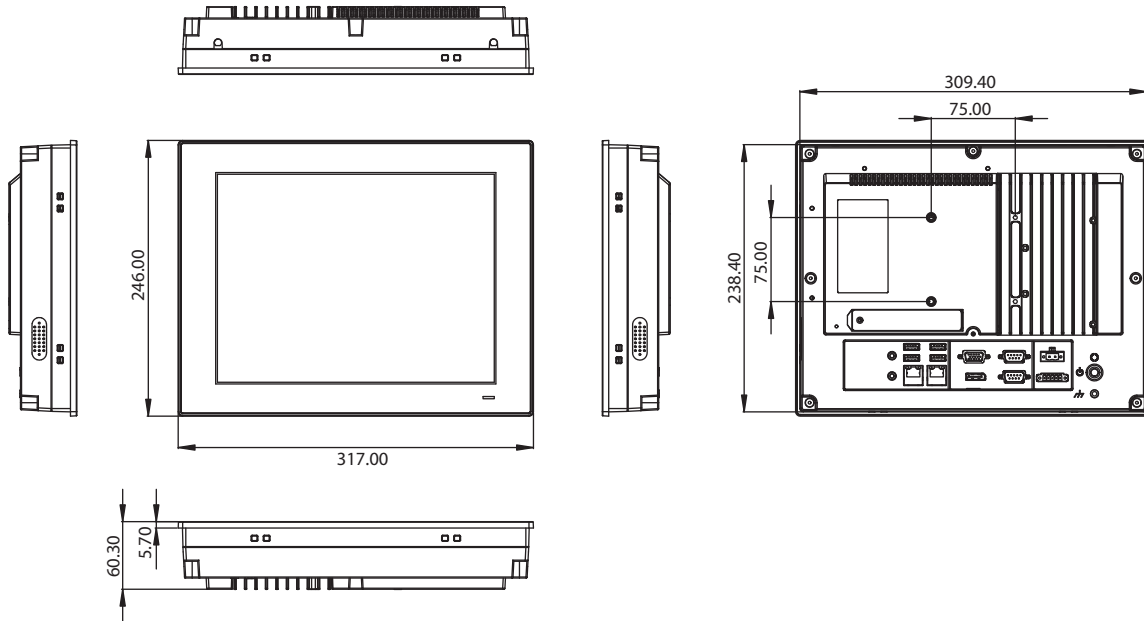
PPC-412 is a new generation industrial interactive panel PC with a 12.1" TFT LCD 1024 x 768 resolution, which features a flat, sleek design to greatly reduce maintenance effort. Pre-installed Intel® Core™ i processor and designed fanless architecture, PPC-412 provide high performance and reliable system for factory automation or variety of industrial applications. Furthermore, with the provision of multiple I/O, dual Intel® Gigabit ethernet, PPC-412 ensures easy integration and connectivity.

Specifications

| | | |
|---------------------------------|--------------------------------|---|
| System | CPU | Intel® Core™ i5-7300U dual core (default); i7-7600U/i3-7100U (optional) |
| | Frequency | 2.6 GHz, up to 3.5 GHz with turbo |
| | L2 Cache | 3 MB |
| | Memory | 1 x SODIMM DDR4 1866/2133 MHz, (max. 16 GB) |
| | Storage | 1 x 2.5" SATA bay 1 x M.2 bay (size: 22 x 42 mm, socket 2 B key, for storage only) |
| | Network (LAN) | 2 x 10/100/1000 Mbps Ethernet (Intel® I211-AT; Intel® I219LM) |
| | I/O | 2 x RS-232, 1 x RS-422/485 with 1K V _{DC} isolation 4 x USB 3.0 1 x Line-out, 1 x Mic-in 1 x DB15 VGA 1 x Display Port (1.2) 1 x TPM 2.0 internal(optional) |
| | Expansion | 1 x Mini PCIe |
| Physical Characteristics | Watchdog Timer | 255 timer levels, set up by software |
| | Speaker | 2 x 1W |
| OS Support | Dimensions | 317 x 246 x 60.5 mm (12.4 x 9.7 x 2.4 in) |
| | Weight | 3.4 kg (7.5 lb) |
| Power Consumption | OS Support | Microsoft® Windows 10 (64-bit), Win 10 LTSC, Linux |
| | Input Voltage | 9 ~ 32 V _{DC} |
| LCD | Power Consumption | i5-7300U 60W (Burn-in test 8.0 in Windows 10 64bit) |
| | Display Type | 12.1" TFT LCD panel |
| | Max. Resolution | 1024 x 768 |
| | Viewing Angle | 89 (left), 89 (right), 89 (up), 89 (down) |
| | Luminance (cd/m ²) | 600 |
| | Contrast Ratio | 1000 |
| | Backlight Lifetime | 50,000 hr (min.) |
| Touchscreen | Touch Type | 5-wire resistive |
| | Light Transmission | 80±5% at 550nm wavelength |
| | Controller | USB interface |
| Environment | Operating Temperature | 0 ~ 50 °C (32 ~ 122 °F) with SSD |
| | Storage Temperature | -20 ~ 60 °C (-4 ~ 140 °F) |
| | Relative Humidity | 10 ~ 95% @ 40 °C (Non-Condensing) |
| | Shock | Operating 10 G Peak Acceleration (11 ms Duration), Follows IEC 60068-2-27 |
| | Vibration | Operating Random Vibration Test 5 ~ 500Hz, 2Grms @with SSD, Follows IEC 60068-2-64 |
| | EMC | CE, FCC Class B, BSMI |
| | Safety | CB, UL, CCC, BSMI |
| Front Panel Protection | IP65 compliant | |

Dimensions

Unit: mm

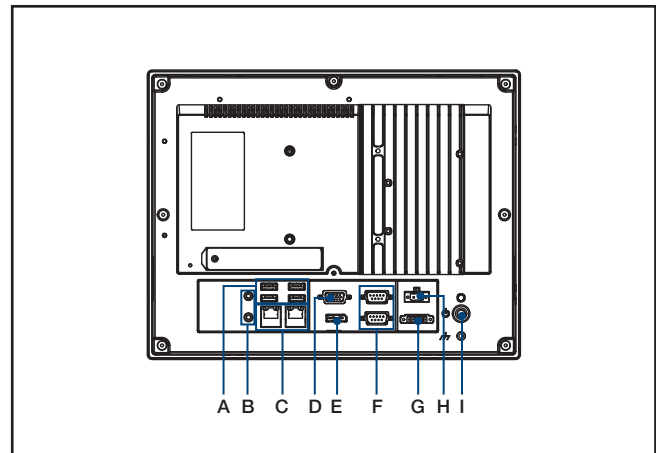


Cut-Out Dimension: 311 x 240 mm

Ordering Information

| Part Number | Description |
|--------------------|---|
| PPC-412-R750A | Intel Core i5-7300U Fanless PPC with 12.1" XGA LED backlight, resistive touch |
| PPC-412-R750AU | Intel Core i5-7300U Fanless PPC with 12.1" XGA LED backlight, resistive touch , for U.S. only |
| 96PSA-A90W190T-3 | A/D 100-240V 90W 19V C6 TERMINAL 2 PIN 62368 |
| 1700001524 | POWER Cord 3P UL 10A 125V 180cm |
| 170203183C | POWER Code 3P Europe (WS-010+083)183cm |
| 1700008921 | POWER CORD 3P/3P POWER SUPPLY 1.8M PSE |
| 96CB-POWER-B-1.8MB | Power code 3P CCC(China) 1.8M |
| PPC-174T-WL-MTE | Wall mount kit for PPC series |
| PPC-STAND-A1E | Stand for PPC series |
| PPC-ARM-A03 | ARM VESA Standard (A-CLEVER) for PPC series |
| PPC-WLAN-C1E | M.2 Wi-Fi Module with Antenna cable support 2T2R |
| 98R3P321110 | TPM 2.0 module |

I/O View



- A. 4 x USB3.0
- B. 1 x Mic-In/Line-Out
- C. 2 x Intel Gigabit Ethernet
- D. 1 x VGA
- E. 1 x DisplayPort
- F. 2 x RS-232
- G. 1 x Isolated RS-422/485
- H. 1 x DC inlet and AT/ATX switch
- I. 1 x Power button

PPC-3151

15" Fanless Panel PC with Intel® Core™ i5-6300U Processor



Features

- 15" XGA TFT LCD flat panel with projected capacitive (default) or resistive (optional) touchscreen
- Intel® Core™ i5-6300U (default)/i7/i3 (optional) processor with fanless system design
- Supports either 1 x PCIe x4 or PCI
- 1 x M.2 bay (2242) for storage only
- 1 x isolated RS-422/485 with auto flow
- Wide power input range (9 ~ 32 V_{DC})
- Dual Gigabit Ethernet, IEEE1588 compliant
- 3 x Independent displays
- Supports VESA 75 mounting interface



Introduction

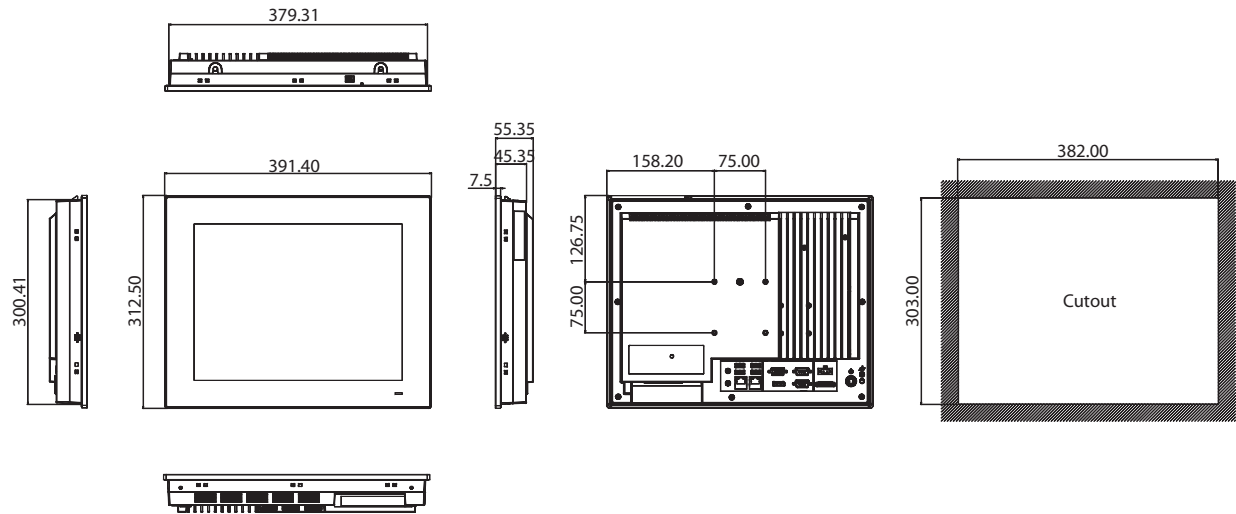
The PPC-3151 is a next-generation panel PC featuring a 15" TFT XGA display with 1024 x 768 resolution. Powered by a high-performance Intel® Core™ i5-6300U processor, the system's high-efficiency fanless thermal design allows heat to dissipate rapidly. By combining high performance with reliability, PPC-3151 provides a superior human-machine interface. Rich I/O including 3 x COM, 4 x USB 3.0, and dual Gigabit Ethernet facilitate device connectivity and system integration. The inclusion of a PCIe/PCI slot for fieldbus or proprietary card expansion increases the system's suitability for diverse applications. Finally, the 5-point multi-touch screen ensures convenient and intuitive operation for the optimal user experience.

Specifications

| Model | PPC-3151-650AE | |
|---------------------------------|--------------------------------|---|
| Processor | CPU | Intel® Core™ i5-6300U (dual core) |
| | Frequency | 2.4 GHz, turbo boost up to 3.0 GHz |
| | Smart Cache | 3 MB |
| | Memory | 1 x SODIMM, DDR4 1866/2133, max. 16 GB (1.2V) |
| | Storage | 1 x 2.5" SATA bay 1 x M.2 bay (size: 22 x 42 mm, socket 2 B key, for storage only) |
| | Network (LAN) | 2 x 10/100/1000 Mbps Ethernet (Intel® I211-AT; Intel® I219LM) |
| | I/O | 3 x Serial ports (2 x RS-232, 1 x RS-422/485 with 1K V _{DC} isolation) 4 x USB 3.0 ports at rear 1 x Line-Out, 1 x Mic-In 1 x DB15 VGA 1 x DisplayPort (1.2) |
| | Expansion | 1 x Mini PCIe 1 x PCIe x 4 (Default); 1 x PCI (in the accessory box) Optional: 1 x Cfast, 1 x CF card, 1 x internal USB dongle, 2 x RS-232 or 1 x RS-232 + 1 x GPIO |
| | Watchdog Timer | 255 timer levels, setup via software |
| | Speaker | 2 x 1W |
| Physical Characteristics | Dimensions | 391.4 x 312.5 x 55.35 mm (15.41 x 12.3 x 2.18 in) |
| | Weight | 5.4 kg (11.90 lb) |
| | OS Support | OS |
| Power Consumption | Input Voltage | 9 ~ 32 V _{DC} |
| | Power Consumption | i5-6300U: 60W (Burn-in test 7.0 in Windows 7, 64 bit) |
| LCD Panel | Display Type | 15" TFT LED panel |
| | Max. Resolution | 1024 x 768 |
| | Viewing Angle | 88° (left), 88° (right), 88° (up), 88° (down) |
| | Luminance (cd/m ²) | 500 |
| | Contrast Ratio | 2,500 |
| | Backlight Lifetime | 70,000 hr |
| Touchscreen | Touch Type | Projected capacitive 10-point multi-touch |
| | Light Transmission | 85% ± 3% |
| | Controller | USB interface |
| Environment | Operating Temperature | 0 ~ 50 °C (32 ~ 122 °F) for SSD, 0 ~ 45 °C (32 ~ 113 °F) for HDD |
| | Storage Temperature | -40 ~ 60 °C (-40 ~ 140 °F) |
| | Relative Humidity | 10 ~ 95% @ 40 °C (non-condensing) |
| | Shock | Operating 10 G peak acceleration (11 ms duration), IEC 60068-2-27 compliant |
| | Vibration | Operating random vibration test 5 ~ 500Hz, 1 Grms with HDD; 2 Grms with SSD, IEC 60068-2-64 compliant |
| | EMC | CE, FCC Class B, BSMI |
| | Safety | CB, UL, CCC, BSMI |
| | Front Panel Protection | IP65 compliant |

Dimensions

Unit: mm

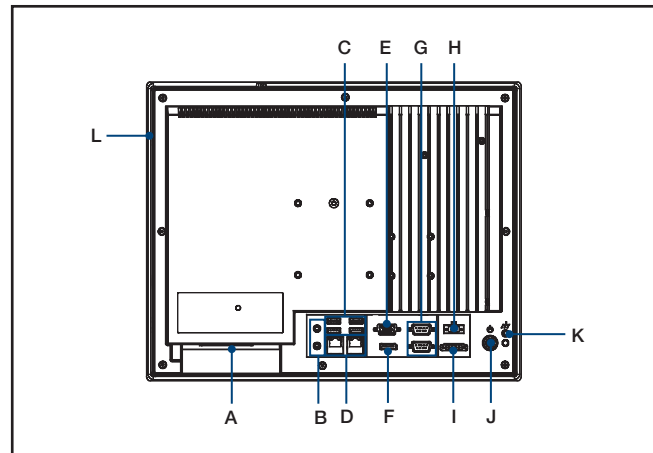


Panel Cutout Dimensions: 382 x 303 mm (15.03 x 11.92 in)

Ordering Information

| Part Number | Description |
|--------------------|---|
| PPC-3151-650AE | 15" Fanless panel PC with PCT multi-touch, Intel Core i5-6300U processor |
| PPC-3151-650AU | 15" Fanless panel PC with PCT multi-touch, Intel Core i5-6300U processor, for U.S. only |
| 96PSA-A90W190T-3 | A/D 100-240V 90W 19V C6 TERMINAL 2 PIN 62368 |
| 1700001524 | Power cable 3P UL 10A 125V, 180 cm |
| 170203183C | Power cable 3P Europe (WS-010+083) 183 cm |
| 1700008921 | Power cable 3P/3P power supply 1.8M PSE |
| 96CB-POWER-B-1.8MB | Power code 3P CCC(China) 1.8M |
| PPC-174T-WL-MTE | Wall mount kit for PPC series |
| PPC-STAND-A1E | Stand for PPC series |
| PPC-ARM-A03 | ARM VESA standard (A-CLEVER) for PPC series |
| PPC-WLAN-C1E | M.2 Wi-Fi Module with Antenna cable support 2T2R |
| PPC-3150-COME | Module that supports two additional ports (either two RS-232 or one RS-232 and one GPIO port) for PPC-3150/PPC-3170 |
| 98R3C31500E | PPC-3150/3170 internal USB dongle kits |
| 98R3C31510E | PPC-3150/3170 install CF card kits |
| 98R3C31520E | PPC-3150/PPC-3170 CF card kits |
| 98R3P321110 | TPM 2.0 module |

I/O View



- A. PCIe x 4/PCI expansion
- B. Line-Out/Mic-In
- C. 4 x USB 3.0
- D. 2 x GigaLAN
- E. VGA
- F. DP
- G. 2 x RS232
- H. DC power input
- I. 1 x RS422/485
- J. Power button
- K. Grounding screw
- L. Optional modules

PPC-3151SW

15.6" Fanless Panel PC with Intel® Core™ i Processor



Features

- Industrial-grade 15.6" FHD LCD panel with 50k backlight lifetime
- True-flat touchscreen with multi-touch projected capacitive control
- High-performance, fanless 6th generation Intel® Core™ i processor
- Up to 16 GB DDR4 SDRAM
- Compact, fanless design with aluminum alloy enclosure
- IP65-rated front panel
- Supports dual displays (1 x external HDMI)
- Supports full-size mini PCIe expansion
- Supports USB 3.0
- Supports VESA 100
- Supports TPM 2.0 (optional)



Introduction

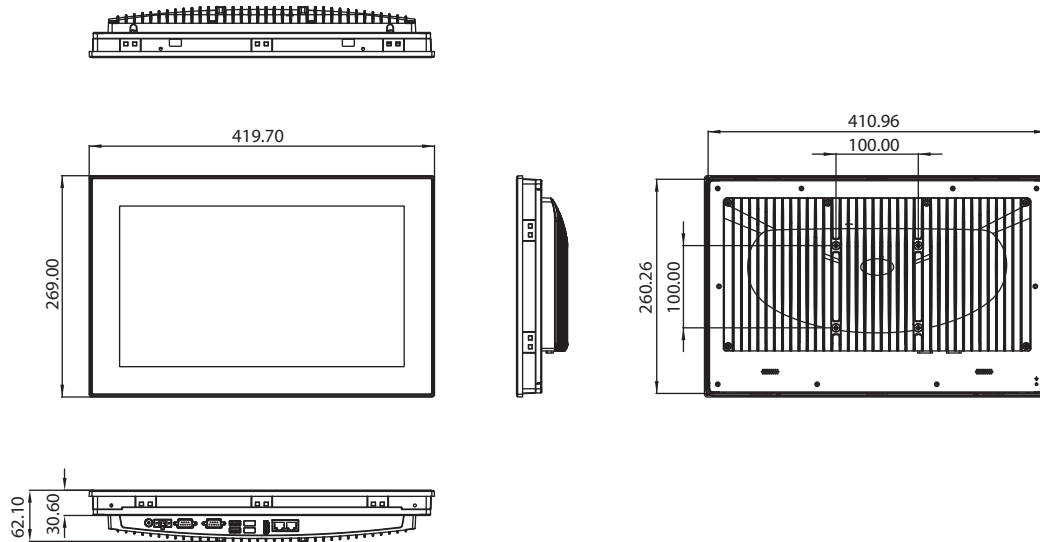
The PPC-3151SW is an all-in-one light panel PC with a wide format 15.6" FHD industrial-grade LCD. Powered by 6th generation Intel® Core™ i processor, PPC-3151SW provides excellent performance, memory, graphics, and peripheral I/O support in a compact, fanless, embedded system. With a high durability design, PPC-3151SW features a true-flat touchscreen with IP65-rated front panel, and die cast aluminum alloy enclosure, making it ideal for diverse applications.

Specifications

| | | | | |
|--------------------------|---------------------------------|--|--|-----------------------------------|
| System | CPU | i3-6100U | i5-6300U | i7-6600U (Optional) |
| | Cores | Dual Core | Dual Core | Dual Core |
| | Frequency | 2.3 GHz | 2.4 GHz; 3.0 GHz with turbo boost | 2.6 GHz; 3.4 GHz with turbo boost |
| | L3 Cache | 3 MB | 3 MB | 4 MB |
| | TDP | 15W | 15W | 15W |
| | Memory | 1 x SODIMM DDR4 1866/2133 MHz (max. 16 GB) (1.2 V) | | |
| | Storage | 1 x 2.5" SATA bay 1 x mSATA bay | | |
| | Network (LAN) | 2 x 10/100/1000 Mbps Ethernet (Intel I211-AT; Intel I219LM) | | |
| | I/O | 2 x Serial ports: 1 x RS-232, 1 x RS-232/422/485(Adjustable through BIOS) 2 x USB 3.0, 2 x USB 2.0 1 x HDMI 1 x TPM 2.0 internal (optional) | | |
| | Speaker | 2 x 1W | | |
| | Expansion | 1 x Full-size mini PCIe slot | | |
| | Watchdog Timer | 255 timer levels, set up by software | | |
| | Physical Characteristics | Dimensions | 419.7 x 269.0 x 62.1 mm (16.5 x 10.6 x 2.4 in) | |
| | Weight | 4.8 kg (10.67 lb) | | |
| OS Support | OS Support | Microsoft® Windows 7(32/64-bit)/10(64-bit), WES7P, Windows 10 IOT LTSC, Linux | | |
| Power Consumption | Input Voltage | 12 ~ 24 V _{DC} | | |
| | Power Consumption | 60W (burn-in test in Win 7 64-bit) | | |
| LCD | Display Type | 15.6" FHD LCD (LED backlight) | | |
| | Resolution | 1920 x 1080 | | |
| | Viewing Angle | 85 (left), 85 (right), 85 (up), 85 (down) | | |
| | Luminance (cd/m ²) | 450 | | |
| | Contrast Ratio | 800 | | |
| | Backlight Lifetime | 50,000 hr (min.) | | |
| Touchscreen | Touch Type | 10-point multi-touch projected capacitive | | |
| | Light Transmission | 90 % ± 2 % | | |
| | Controller | USB interface | | |
| Environment | Operating Temperature | 0 ~ 50 °C (32 ~ 122 °F) for SSD 0 ~ 45 °C (32 ~ 113 °F) for HDD | | |
| | Storage Temperature | -20 ~ 60 °C (-4 ~ 140 °F) | | |
| | Relative Humidity | 10 ~ 95% @ 40 °C (non-condensing) | | |
| | Shock | Operating 10 G peak acceleration (11 ms duration), follow IEC 60068-2-27 | | |
| | Vibration | Operating Random Vibration Test 5 ~ 500Hz, 1Grms @with HDD; 2Grms @with SSD, follow IEC 60068-2-64 | | |
| | EMC | CE, FCC Class B, BSMI, EN 60601-1-2 | | |
| | Safety | CB, CCC, BSMI, UL | | |
| Front Panel Protection | IP65 compliant | | | |

Dimensions

Unit: mm

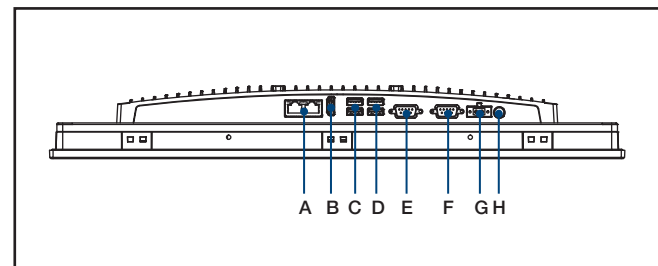


Panel Cutout Dimensions: 413 x 262 mm (16.25 x 10.31 in)

Ordering Information

| Part Number | Description |
|--------------------|--|
| PPC-3151SW-P65A | Intel Core i5-6300U Fanless Panel PC with 15.6" Full HD LED backlight |
| PPC-3151SW-P65AU | Intel Core i5-6300U Fanless Panel PC with 15.6" Full HD LED backlight, for U.S. only |
| PPC-3151SW-P63A | Intel Core i3-6100U Fanless Panel PC with 15.6" Full HD LED backlight |
| 96PSA-A90W190T-3 | A/D 100-240V 90W 19V C6 TERMINAL 2 PIN 62368 |
| PPC-WLAN-C1E | M.2 Wi-Fi Module with Antenna cable support 2T2R |
| PPC-ARM-A03 | ARM VESA Standard (A-CLEVER) for PPC series |
| PPC-174T-WL-MTE | Wall mount kit for PPC series |
| PPC-Stand-A1E | Stand for PPC series |
| 1700001524 | Power cord 3P UL 10A 125V 1.8M |
| 170203183C | Power cord 3P Europe (WS-010+083) 183cm |
| 1700008921 | Power cord 3P/3P 1.8M PSE |
| 96CB-POWER-B-1.8MB | Power code 3P CCC(China) 1.8M |
| 98R3P315100 | TPM 2.0 Module |

I/O View



- A. 2 x LAN
- B. HDMI
- C. 2 x USB 3.0
- D. 2 x USB 2.0
- E. COM2: RS-232/422/485
- F. COM1: RS-232
- G. DC-In
- H. Power Button

PPC-3151SW-MART

15.6" Panel PC with Win 10 LTSC and Intel® Core™ i5-6300U



Features

- 15.6" true-flat FHD TFT LCD with projected capacitive touch control
- Win 10 IOT LTSC, 8GB DDR4 SDRAM, 128GB 3D TLC SSD
- Fanless design with aluminum alloy enclosure
- Wide Range DC input (12-24V DC), Configurable RS-232/422/485
- IP65-rated front panel, Supports dual displays, VESA 100
- Supports TPM 2.0 (optional)
- No RED Certification



Introduction

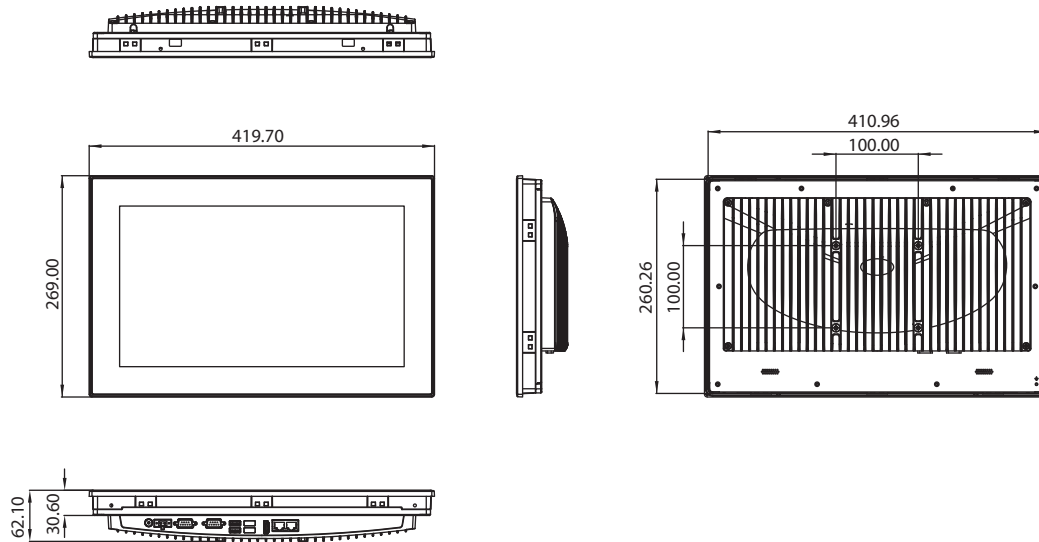
The PPC-3151SW-MART is an all-in-one light panel PC with a wide format 15.6" FHD industrial-grade LCD, Intel® Core™ i5-6300U, 8GB DDR4, 128GB SSD, 90W power adapter and Win 10 LTSC to provide high-performance computing in a compact and fanless system.

Specifications

| | | |
|---------------------------------|--------------------------------------|--|
| System | CPU | i5-6300U |
| | Cores | Dual Core |
| | Frequency | 2.4 GHz; 3.0 GHz with turbo boost |
| | L3 Cache | 3 MB |
| | TDP | 15W |
| | Memory | 1 x 8GB SODIMM DDR4 2400 MHz |
| | Storage | 1 x 128GB 2.5" 3D TLC SSD 1 x mSATA bay |
| | Network (LAN) | 2 x 10/100/1000 Mbps Ethernet (Intel I211-AT; Intel I219LM) |
| | I/O | 2 x Serial ports: 1 x RS-232, 1 x RS-232/422/485(Adjustable through BIOS) 2 x USB 3.0, 2 x USB 2.0 1 x HDMI 1 x TPM 2.0 internal (optional) |
| | Speaker | 2 x 1W |
| Expansion | 1 x Full-size mini PCIe slot | |
| Watchdog Timer | 255 timer levels, set up by software | |
| Physical Characteristics | Dimensions | 419.7 x 269.0 x 62.1 mm (16.5 x 10.6 x 2.4 in) |
| | Weight | 4.8 kg (10.67 lb) |
| OS Support | OS Support | Microsoft® Windows 10 IOT LTSC |
| Power Consumption | Input Voltage | 12 ~ 24 V _{DC} 100-240 V _{AC} (90W A/D adapter in the accessory box) |
| | Power Consumption | 60W (burn-in test in Win 7 64-bit) |
| LCD | Display Type | 15.6" FHD LCD (LED backlight) |
| | Resolution | 1920 x 1080 |
| | Viewing Angle | 85 (left), 85 (right), 85 (up), 85 (down) |
| | Luminance (cd/m ²) | 450 |
| | Contrast Ratio | 800 |
| | Backlight Lifetime | 50,000 hr (min.) |
| Touchscreen | Touch Type | 10-point multi-touch projected capacitive |
| | Light Transmission | 90 % ± 2 % |
| | Controller | USB interface |
| Environment | Operating Temperature | 0 ~ 50 °C (32 ~ 122 °F) for SSD |
| | Storage Temperature | -20 ~ 60 °C (-4 ~ 140 °F) |
| | Relative Humidity | 10 ~ 95% @ 40 °C (non-condensing) |
| | Shock | Operating 10 G peak acceleration (11 ms duration), follow IEC 60068-2-27 |
| | Vibration | Operating Random Vibration Test 5 ~ 500Hz, 1Grms @with HDD; 2Grms @with SSD, follow IEC 60068-2-64 |
| | EMC | CE, FCC Class B, BSMI, EN 60601-1-2 |
| | Safety | CB, CCC, BSMI, UL |
| Front Panel Protection | IP65 compliant | |

Dimensions

Unit: mm

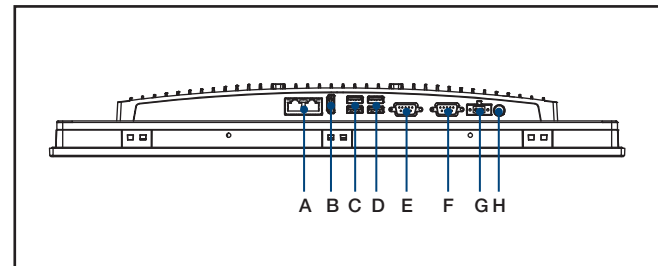


Panel Cutout Dimensions: 413 x 262 mm (16.25 x 10.31 in)

Ordering Information

| Part Number | Description |
|--------------------|---|
| PPC-3151SW-MART | 15.6" Panel PC with Win 10 LTSC and i5-6300U, 8GB DDR4, 128GB 3D TLC SSD, 90W power adapter |
| PPC-WLAN-C1E | M.2 Wi-Fi Module with Antenna cable support 2T2R |
| PPC-ARM-A03 | ARM VESA Standard (A-CLEVER) for PPC series |
| PPC-174T-WL-MTE | Wall mount kit for PPC series |
| PPC-Stand-A1E | Stand for PPC series |
| 1700001524 | Power cord 3P UL 10A 125V 1.8M |
| 170203183C | Power cord 3P Europe (WS-010+083) 183cm |
| 1700008921 | Power cord 3P/3P 1.8M PSE |
| 96CB-POWER-B-1.8MB | Power cord 3P CCC(China) 1.8M |
| 98R3P315100 | TPM 2.0 Module |

I/O View



- | | |
|----------------|-------------------------|
| A. 2 x LAN | E. COM2: RS-232/422/485 |
| B. HDMI | F. COM1: RS-232 |
| C. 2 x USB 3.0 | G. DC-In |
| D. 2 x USB 2.0 | H. Power Button |

Please note: If some optional modules are offered with the system, additional system certificates may be required in certain regions/countries. Please contact Advantech for certificate compliance.

PPC-3151W

15.6" Fanless Widescreen Panel PC with Intel® Core™ i5-7300U Processor



Features

- 15.6" true-flat Full HD LCD panel with projected capacitive touchscreen, anti-glare coating
- Intel® Core™ i5-7300U(default); i7-7600U/i3-7100U(optional) processor with fanless system design
- Supports PCIe x4 or PCI expansion
- 1 x isolated RS-422/485 with auto flow
- Wide input power range (9 ~ 32 V_{DC})
- Dual Gigabit Ethernet with IEEE1588 support
- 3 x Independent displays
- 1 x M.2 bay (2242) for storage only
- 1 x TPM 2.0 internal support (optional)
- Supports VESA 100 mounting interface



Introduction

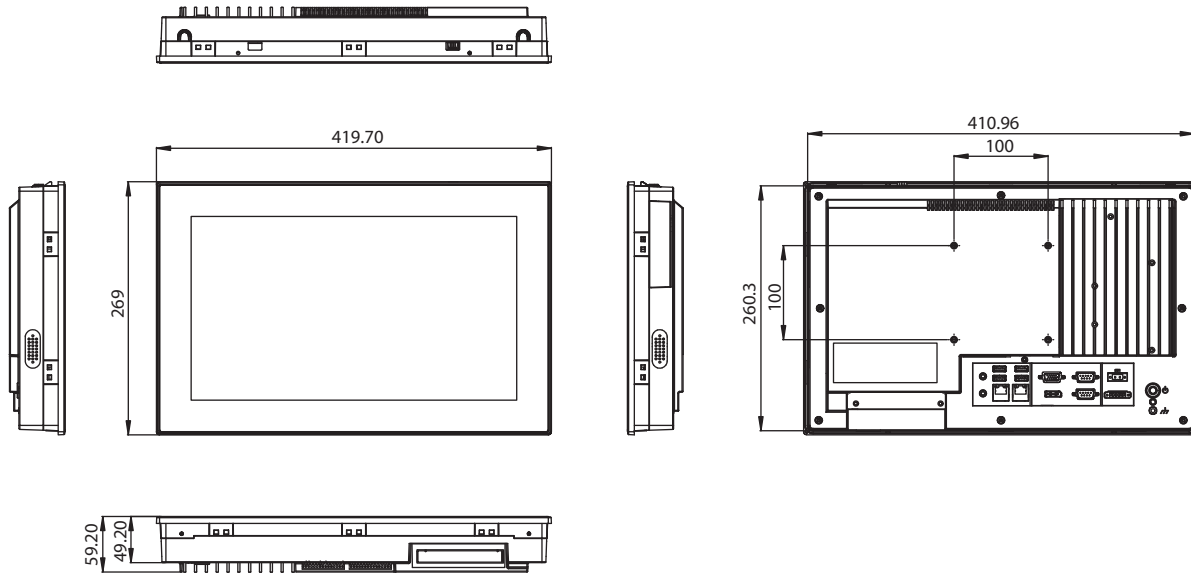
PPC-3151W is a new generation industrial interactive panel PC with a 15.6" TFT full HD LCD 1920 x 1080 resolution, which features a flat, sleek design to greatly reduce maintenance effort. Pre-installed Intel® Core™ i processor and designed fanless architecture, PPC-3151W provide high performance and reliable system for factory automation or variety of industrial applications. Furthermore, with the provision of multiple I/O, dual Intel® Gigabit ethernet, PCI/PCIe expansion, PPC-3151W ensures easy integration and connectivity.

Specifications

| | | |
|---------------------------------|--------------------------------|--|
| System | CPU | Intel® Core™ i5-7300U dual core (default); i7-7600U/i3-7100U (optional) |
| | Frequency | 2.6 GHz, up to 3.5 GHz with turbo |
| | L2 Cache | 3 MB |
| | Memory | 1 x SODIMM DDR4 1866/2133 MHz, (max. 16 GB) |
| | Storage | 1 x 2.5" SATA bay 1 x M.2 bay (size: 22 x 42 mm, socket 2 B key, for storage only) |
| | Network (LAN) | 2 x 10/100/1000 Mbps Ethernet (Intel® I211-AT; Intel® I219LM) |
| | I/O | 2 x RS-232, 1 x RS-422/485 with 1K V _{DC} isolation Either 2 x RS-232 or 1 x RS-232 + 1 x GPIO(TTL, 8 pin programmable) on right side (optional module) 4 x USB 3.0 1 x Line-out, 1 x Mic-in 1 x DB15 VGA 1 x Display Port (1.2) 1 x TPM 2.0 internal(optional) |
| | Expansion | 1 x Mini PCIe 1 x PCIe x 4 (default); 1 x PCI (in the accessory box) |
| | Watchdog Timer | 255 timer levels, set up by software |
| | Speaker | 2 x 1W |
| Physical Characteristics | Dimensions | 419.7 x 269 x 59 mm (16.5 x 10.6 x 2.3 in) |
| | Weight | 5.4kg (11.9 lb) |
| OS Support | OS Support | Microsoft® Windows 10 (64-bit), Win 10 LTSC, Linux |
| Power Consumption | Input Voltage | 9 ~ 32 V _{DC} |
| | Power Consumption | i5-7300U 65W(Burn-in test 8.1 in Windows 10 64bit) |
| LCD | Display Type | 15.6" TFT LCD (LED backlight) |
| | Max. Resolution | 1920 x 1080 |
| | Viewing Angle | 85 (Left), 85 (Right), 85(Up), 85(Down) |
| | Luminance (cd/m ²) | 450 |
| | Contrast Ratio | 800 |
| | Backlight Lifetime | 50,000 hr (min.) |
| Touchscreen | Touch Type | Multi-touch projected capacitive |
| | Light Transmission | 88 % ± 2 % |
| | Controller | USB interface |
| Environment | Operating Temperature | 0 ~ 50 °C (32 ~ 122 °F) with SSD; 0 ~ 40 °C (32 ~ 104 ° F) with HDD |
| | Storage Temperature | -20 ~ 60 °C (-4 ~ 140 °F) |
| | Relative Humidity | 10 ~ 95% @ 40 °C (Non-Condensing) |
| | Shock | Operating 10 G Peak Acceleration (11 ms Duration), Follows IEC 60068-2-27 |
| | Vibration | Operating Random Vibration Test 5 ~ 500Hz, 1Grms @with HDD; 2Grms @with SSD, Follows IEC 60068-2-64 |
| | EMC | CE, FCC Class B, BSMI |
| | Safety | CB, UL, CCC, BSMI |
| Front Panel Protection | IP65 compliant | |

Dimensions

Unit: mm

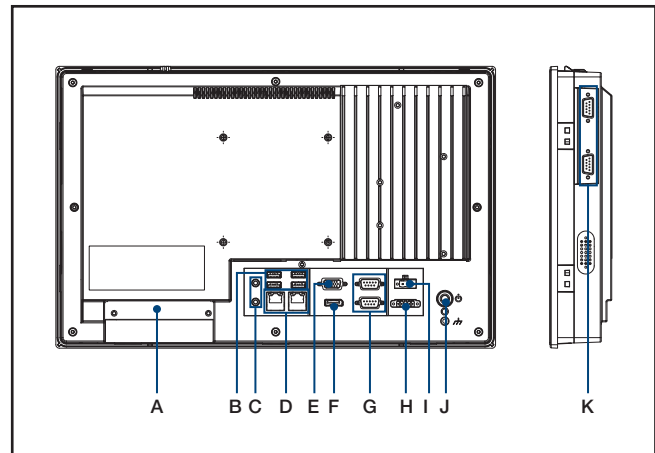


Cut-Out Dimension: 413.00 x 262.00 mm

Ordering Information

| Part Number | Description |
|--------------------|--|
| PPC-3151W-P75A | 15.6" Wide screen PPC with PCT Multi-touch, Intel Core i5-7300U |
| PPC-3151W-P75AU | 15.6" Wide screen PPC with PCT Multi-touch, Intel Core i5-7300U , for U.S. only |
| 96PSA-A90W190T-3 | A/D 100-240V 90W 19V C6 TERMINAL 2 PIN 62368 |
| 1700001524 | POWER Cord 3P UL 10A 125V 180cm |
| 170203183C | POWER Code 3P Europe (WS-010+083)183cm |
| 1700008921 | POWER CORD 3P/3P POWER SUPPLY 1.8M PSE |
| 96CB-POWER-B-1.8MB | Power code 3P CCC(China) 1.8M |
| PPC-174T-WL-MTE | Wall mount kit for PPC series |
| PPC-STAND-A1E | Stand for PPC series |
| PPC-ARM-A03 | ARM VESA Standard (A-CLEVER) for PPC series |
| PPC-WLAN-C1E | M.2 Wi-Fi Module with Antenna cable support 2T2R |
| 98R3P321100 | Optional module on right side: Either 2 x RS-232 or 1 x RS-232 + 1 x GPIO(TTL, 8 pin programmable) |
| 98R3P321110 | TPM 2.0 module |

I/O View



- A. 1 x Expansion slot (PCI or PCIe x1)
- B. 4 x USB3.0
- C. 1 x Mic-In/Line-Out
- D. 2 x Intel Gigabit Ethernet
- E. 1 x VGA
- F. 1 x DisplayPort
- G. 2 x RS-232
- H. 1 x Isolated RS-422/485
- I. 1 x DC inlet and AT/ATX switch
- J. 1 x Power button
- K. 2 x RS-232 (on right side optional)

PPC-3181SW

18.5" Fanless Panel PC with Intel® Core™ i Processor



Features

- Industrial-grade 18.5" LCD panel with 50k backlight lifetime
- True-flat touchscreen with multi-touch projected capacitive control
- High-performance, fanless 6th generation Intel® Core™ i processor
- Up to 16 GB DDR4 SDRAM
- Compact, fanless design with aluminum alloy enclosure
- IP65-rated front panel
- Supports dual displays (1 x external HDMI)
- Supports full-size mini PCIe expansion
- Supports USB 3.0
- Supports VESA 100
- Supports TPM 2.0 (optional)



Introduction

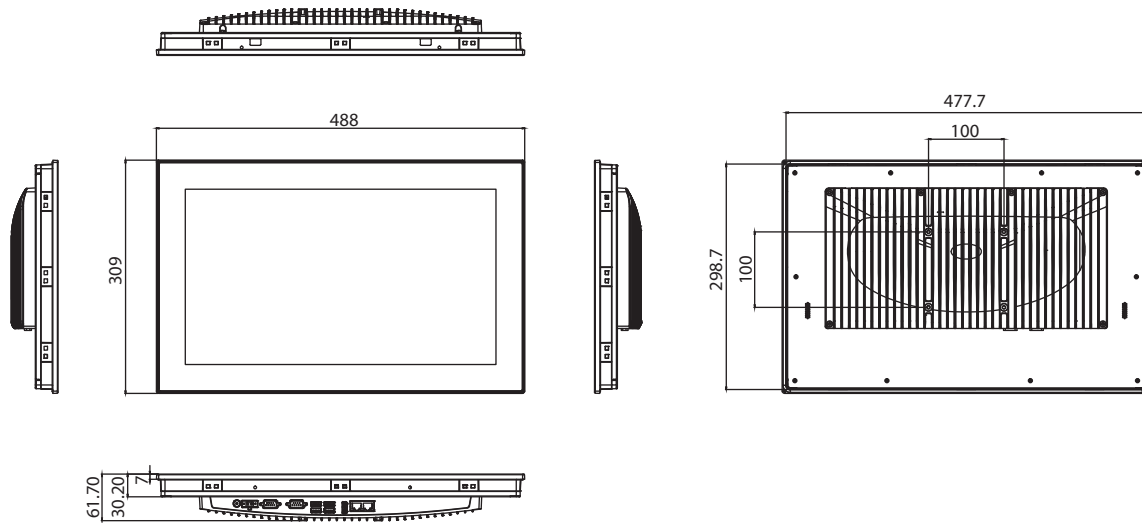
The PPC-3181SW is an all-in-one light panel PC with a wide format 18.5" industrial-grade LCD. Powered by 6th generation Intel® Core™ i processor, PPC-3181SW provides excellent performance, memory, graphics, and peripheral I/O support in a compact, fanless, embedded system. With a high durability design, PPC-3181SW features a true-flat touchscreen with IP65-rated front panel, and die cast aluminum alloy enclosure, making it ideal for diverse applications.

Specifications

| | | | | |
|--------------------------|---------------------------------|---|--|-----------------------------------|
| System | CPU | i3-6100U | i5-6300U | i7-6600U (Optional) |
| | Cores | Dual Core | Dual Core | Dual Core |
| | Frequency | 2.3 GHz | 2.4 GHz; 3.0 GHz with turbo boost | 2.6 GHz; 3.4 GHz with turbo boost |
| | L3 Cache | 3 MB | 3 MB | 4 MB |
| | TDP | 15W | 15W | 15W |
| | Memory | 1 x SODIMM DDR4 1866/2133 MHz (max. 16 GB) (1.2 V) | | |
| | Storage | 1 x 2.5" SATA bay 1 x mSATA bay | | |
| | Network (LAN) | 2 x 10/100/1000 Mbps Ethernet (Intel I211-AT; Intel I219LM) | | |
| | I/O | 2 x Serial ports: 1 x RS-232, 1 x RS-232/422/485 (Adjustable through BIOS) 2 x USB 3.0, 2 x USB 2.0 1 x HDMI 1 x TPM 2.0 internal (optional) | | |
| | Speaker | 2 x 1W | | |
| | Expansion | 1 x Full-size mini PCIe slot | | |
| | Watchdog Timer | 255 timer levels, set up by software | | |
| | Physical Characteristics | Dimensions | 488 x 309 x 61.7 mm (19.2 x 12.1 x 2.4 in) | |
| | Weight | 5.7 kg (12.56 lb) | | |
| OS Support | OS Support | Microsoft® Windows 7(32/64-bit)/10(64-bit), WES7P, Windows 10 IOT LTSC, Linux | | |
| Power Consumption | Input Voltage | 12 ~ 24 V _{DC} | | |
| | Power Consumption | 65W | | |
| LCD | Display Type | 18.5" TFT LCD (LED backlight) | | |
| | Resolution | 1366 x 768 | | |
| | Viewing Angle | 85 (left), 85 (right), 80 (up), 80 (down) | | |
| | Luminance (cd/m ²) | 450 | | |
| | Contrast Ratio | 1000 | | |
| | Backlight Lifetime | 50,000 hr | | |
| Touchscreen | Touch Type | 10-point multi-touch projected capacitive | | |
| | Light Transmission | 90 % ± 3 % | | |
| | Controller | USB interface | | |
| Environment | Operating Temperature | 0 ~ 50 °C (32 ~ 122 °F) for SSD 0 ~ 45 °C (32 ~ 113 °F) for HDD | | |
| | Storage Temperature | -20 ~ 60 °C (-4 ~ 140 °F) | | |
| | Relative Humidity | 10 ~ 95% @ 40 °C (non-condensing) | | |
| | Shock | Operating 10 G peak acceleration (11 ms duration), follow IEC 60068-2-27 | | |
| | Vibration | Operating Random Vibration Test 5 ~ 500Hz, 1Grms @with HDD; 2Grms @with SSD, follow IEC 60068-2-64 | | |
| | EMC | CE, FCC Class B, BSMI | | |
| | Safety | CB, CCC, BSMI, UL | | |
| Front Panel Protection | IP65 compliant | | | |

Dimensions

Unit: mm

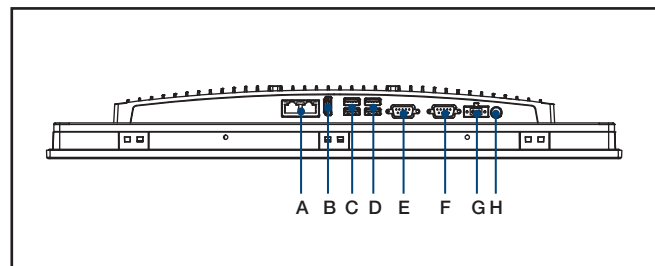


Panel Cutout Dimensions: 479.3 x 300.3 mm (18.87 x 11.82 in)

Ordering Information

| Part Number | Description |
|--------------------|---|
| PPC-3181SW-P65A | Intel Core i5-6300U Fanless Panel PC with 18.5" Full HD LED backlight |
| PPC-3181SW-P65AU | Intel Core i5-6300U Fanless Panel PC with 18.5" Full HD LED backlight , for U.S. only |
| PPC-3181SW-P63A | Intel Core i3-6100U Fanless Panel PC with 18.5" Full HD LED backlight |
| 96PSA-A90W190T-3 | A/D 100-240V 90W 19V C6 TERMINAL 2 PIN 62368 |
| PPC-WLAN-C1E | M.2 Wi-Fi Module with Antenna cable support 2T2R |
| PPC-ARM-A03 | ARM VESA Standard (A-CLEVER) for PPC series |
| PPC-174T-WL-MTE | Wall mount kit for PPC series |
| PPC-Stand-A1E | Stand for PPC series |
| 1700001524 | Power cord 3P UL 10A 125V 1.8M |
| 170203183C | Power cord 3P Europe (WS-010+083) 183cm |
| 1700008921 | Power cord 3P/3P 1.8M PSE |
| 96CB-POWER-B-1.8MB | Power code 3P CCC(China) 1.8M |
| 98R3P315100 | TPM 2.0 module |

I/O View



- A. 2 x LAN
- B. HDMI
- C. 2 x USB 3.0
- D. 2 x USB 2.0
- E. COM2: RS-232/422/485
- F. COM1: RS-232
- G. DC-In
- H. Power Button

PPC-3181SW-MART

18.5" Panel PC with Win 10 LTSC and Intel® Core™ i5-6300U



Features

- 18.5" true-flat WXGA TFT LCD with projected capacitive touch control
- Win 10 IOT LTSC, 8GB DDR4 SDRAM, 128GB 3D TLC SSD
- Fanless design with aluminum alloy enclosure
- Wide Range DC input (12-24V DC), Configurable RS-232/422/485
- IP65-rated front panel, Supports dual displays, VESA 100
- Supports TPM 2.0 (optional)
- No RED Certification



Introduction

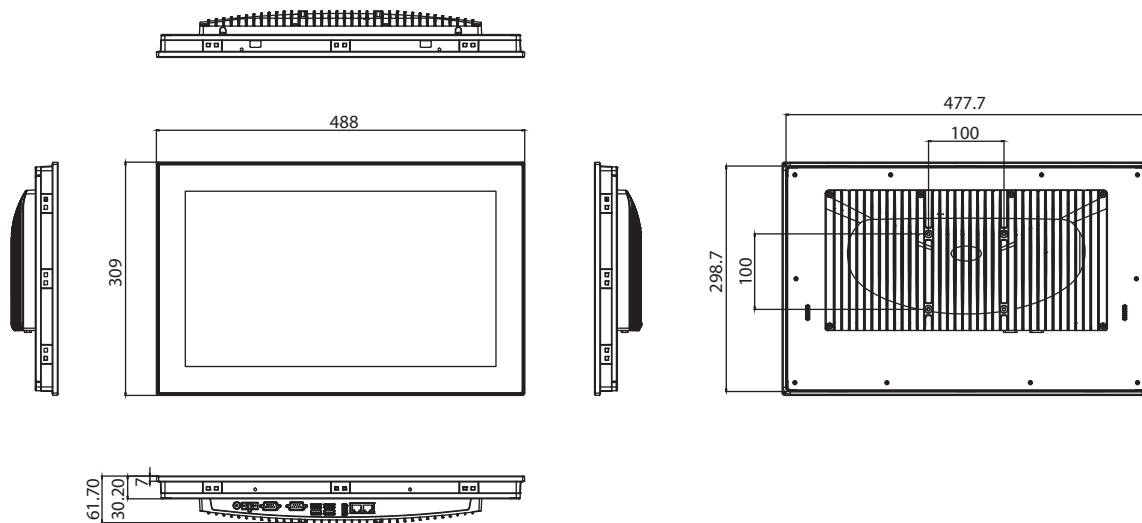
The PPC-3181SW-MART is an all-in-one light panel PC with a wide format 18.5" WXGA industrial-grade LCD, Intel® Core™ i5-6300U, 8GB DDR4, 128GB SSD, 90W power adapter and Win 10 LTSC to provide high-performance computing in a compact and fanless system.

Specifications

| | | |
|---------------------------------|--------------------------------------|--|
| System | CPU | i5-6300U |
| | Cores | Dual Core |
| | Frequency | 2.4 GHz; 3.0 GHz with turbo boost |
| | L3 Cache | 3 MB |
| | TDP | 15W |
| | Memory | 1 x 8GB SODIMM DDR4 2400 MHz |
| | Storage | 1 x 128GB 2.5" 3D TLC SSD 1 x mSATA bay |
| | Network (LAN) | 2 x 10/100/1000 Mbps Ethernet (Intel I211-AT; Intel I219LM) |
| | I/O | 2 x Serial ports: 1 x RS-232, 1 x RS-232/422/485(Adjustable through BIOS) 2 x USB 3.0, 2 x USB 2.0 1 x HDMI 1 x TPM 2.0 internal (optional) |
| | Speaker | 2 x 1W |
| Expansion | 1 x Full-size mini PCIe slot | |
| Watchdog Timer | 255 timer levels, set up by software | |
| Physical Characteristics | Dimensions | 488 x 309 x 61.7 mm (19.2 x 12.1 x 2.4 in) |
| | Weight | 5.7 kg (12.56 lb) |
| OS Support | OS Support | Microsoft® Windows 10 IOT LTSC |
| Power Consumption | Input Voltage | 12 ~ 24 V _{DC} 100-240 V _{AC} (90W A/D adapter in the accessory box) |
| | Power Consumption | 65W |
| LCD | Display Type | 18.5" TFT LCD (LED backlight) |
| | Resolution | 1366 x 768 |
| | Viewing Angle | 85 (left), 85 (right), 80 (up), 80 (down) |
| | Luminance (cd/m ²) | 450 |
| | Contrast Ratio | 1000 |
| | Backlight Lifetime | 50,000 hr |
| Touchscreen | Touch Type | 10-point multi-touch projected capacitive |
| | Light Transmission | 90 % ± 3 % |
| | Controller | USB interface |
| Environment | Operating Temperature | 0 ~ 50 °C (32 ~ 122 °F) for SSD |
| | Storage Temperature | -20 ~ 60 °C (-4 ~ 140 °F) |
| | Relative Humidity | 10 ~ 95% @ 40 °C (non-condensing) |
| | Shock | Operating 10 G peak acceleration (11 ms duration), follow IEC 60068-2-27 |
| | Vibration | Operating Random Vibration Test 5 ~ 500Hz, 1Grms @with HDD; 2Grms @with SSD, follow IEC 60068-2-64 |
| | EMC | CE, FCC Class B, BSMI |
| | Safety | CB, UL, CCC |
| Front Panel Protection | IP65 compliant | |

Dimensions

Unit: mm

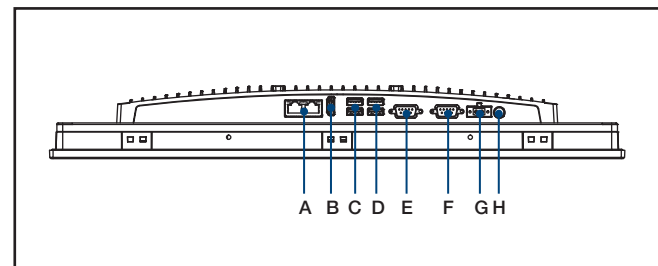


Panel Cutout Dimensions: 479.3 x 300.3 mm (18.87 x 11.82 in)

Ordering Information

| Part Number | Description |
|--------------------|---|
| PPC-3181SW-MART | 18.5" Panel PC with Win 10 LTSC and i5-6300U, 8GB DDR4, 128GB 3D TLC SSD, 90W power adapter |
| PPC-WLAN-C1E | M.2 Wi-Fi Module with Antenna cable support 2T2R |
| PPC-ARM-A03 | ARM VESA Standard (A-CLEVER) for PPC series |
| PPC-174T-WL-MTE | Wall mount kit for PPC series |
| PPC-Stand-A1E | Stand for PPC series |
| 1700001524 | Power cord 3P UL 10A 125V 1.8M |
| 170203183C | Power cord 3P Europe (WS-010+083) 183cm |
| 1700008921 | Power cord 3P/3P 1.8M PSE |
| 96CB-POWER-B-1.8MB | Power cord 3P CCC(China) 1.8M |
| 98R3P315100 | TPM 2.0 module |

I/O View



- A. 2 x LAN
- B. HDMI
- C. 2 x USB 3.0
- D. 2 x USB 2.0
- E. COM2: RS-232/422/485
- F. COM1: RS-232
- G. DC-In
- H. Power Button

Please note: If some optional modules are offered with the system, additional system certificates may be required in certain regions/countries. Please contact Advantech for certificate compliance.

PPC-3211SW

21.5" Fanless Panel PC with Intel® Core™ i Processor



Features

- Industrial-grade 21.5" LCD panel with 50k backlight lifetime
- True-flat touchscreen with multi-touch projected capacitive control
- High-performance, fanless 6th generation Intel® Core™ i processor
- Up to 16 GB DDR4 SDRAM
- Compact, fanless design with aluminum alloy enclosure
- IP65-rated front panel
- Supports dual displays (1 x external HDMI)
- Supports full-size mini PCIe expansion
- Supports USB 3.0
- Supports VESA 100
- Supports TPM 2.0 (optional)



Introduction

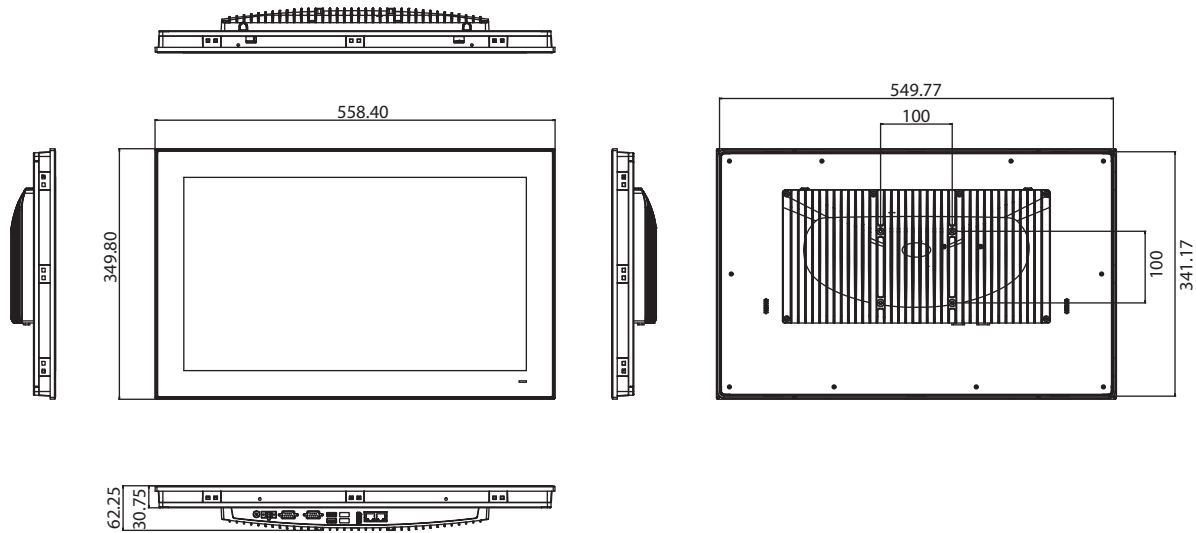
The PPC-3211SW is an all-in-one light panel PC with a wide format 21.5" industrial-grade LCD. Powered by 6th generation Intel® Core™ i processor, PPC-3211SW provides excellent performance, memory, graphics, and peripheral I/O support in a compact, fanless, embedded system. With a high durability design, PPC-3211SW features a true-flat touchscreen with IP65-rated front panel, and die cast aluminum alloy enclosure, making it ideal for diverse applications.

Specifications

| | | | | |
|--------------------------|---------------------------------|---|--|-----------------------------------|
| System | CPU | i3-6100U | i5-6300U | i7-6600U (Optional) |
| | Cores | Dual Core | Dual Core | Dual Core |
| | Frequency | 2.3 GHz | 2.4 GHz; 3.0 GHz with turbo boost | 2.6 GHz; 3.4 GHz with turbo boost |
| | L3 Cache | 3 MB | 3 MB | 4 MB |
| | TDP | 15W | 15W | 15W |
| | Memory | 1 x SODIMM DDR4 1866/2133 MHz (max. 16 GB) (1.2 V) | | |
| | Storage | 1 x 2.5" SATA bay 1 x mSATA bay | | |
| | Network (LAN) | 2 x 10/100/1000 Mbps Ethernet (Intel I211-AT; Intel I219LM) | | |
| | I/O | 2 x Serial ports: 1 x RS-232, 1 x RS-232/422/485 (Adjustable through BIOS) 2 x USB 3.0, 2 x USB 2.0 1 x HDMI 1 x TPM 2.0 internal (optional) | | |
| | Speaker | 2 x 1W | | |
| | Expansion | 1 x Full-size mini PCIe slot | | |
| | Watchdog Timer | 255 timer levels, set up by software | | |
| | Physical Characteristics | Dimensions | 558.4 x 349.8 x 62.2 mm (21.9 x 13.7 x 2.4 in) | |
| | Weight | 6.8 kg (14.9 lb) | | |
| OS Support | OS Support | Microsoft® Windows 7(32/64-bit)/10(64-bit), WES7P, Windows 10 IOT LTSC, Linux | | |
| Power Consumption | Input Voltage | 12 ~ 24 V _{DC} | | |
| | Power Consumption | 75W | | |
| LCD | Display Type | 21.5" TFT LCD (LED backlight) | | |
| | Resolution | 1920 x 1080 | | |
| | Viewing Angle | 89 (left), 89 (right), 89 (up), 89 (down) | | |
| | Luminance (cd/m ²) | 300 | | |
| | Contrast Ratio | 5000 | | |
| | Backlight Lifetime | 50,000 hr | | |
| Touchscreen | Touch Type | 10-point multi-touch projected capacitive | | |
| | Light Transmission | 90 % ± 3 % | | |
| | Controller | USB interface | | |
| Environment | Operating Temperature | 0 ~ 50 °C (32 ~ 122 °F) for SSD 0 ~ 45 °C (32 ~ 113 °F) for HDD | | |
| | Storage Temperature | -20 ~ 60 °C (-4 ~ 140 °F) | | |
| | Relative Humidity | 10 ~ 95% @ 40 °C (non-condensing) | | |
| | Shock | Operating 10 G peak acceleration (11 ms duration), follow IEC 60068-2-27 | | |
| | Vibration | Operating Random Vibration Test 5 ~ 500Hz, 1Grms @with HDD; 2Grms @with SSD, follow IEC 60068-2-64 | | |
| | EMC | CE, FCC Class B, BSMI | | |
| | Safety | CB, CCC, BSMI, UL | | |
| | Front Panel Protection | IP65 compliant | | |

Dimensions

Unit: mm

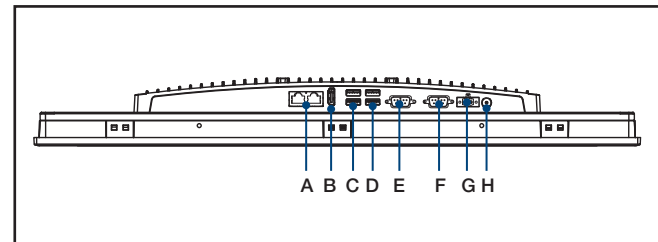


Panel Cutout Dimensions: 550.3 x 341.8 mm (21.66 x 13.45 in)

Ordering Information

| Part Number | Description |
|--------------------|---|
| PPC-3211SW-P65A | Intel Core i5-6300U Fanless Panel PC with 21.5" Full HD LED backlight |
| PPC-3211SW-P65AU | Intel Core i5-6300U Fanless Panel PC with 21.5" Full HD LED backlight , for U.S. only |
| PPC-3211SW-P63A | Intel Core i3-6100U Fanless Panel PC with 21.5" Full HD LED backlight |
| 96PSA-A90W190T-3 | A/D 100-240V 90W 19V C6 TERMINAL 2 PIN 62368 |
| PPC-WLAN-C1E | M.2 Wi-Fi Module with Antenna cable support 2T2R |
| PPC-ARM-A03 | ARM VESA Standard (A-CLEVER) for PPC series |
| PPC-174T-WL-MTE | Wall mount kit for PPC series |
| PPC-Stand-A1E | Stand for PPC series |
| 1700001524 | Power cord 3P UL 10A 125V 1.8M |
| 170203183C | Power cord 3P Europe (WS-010+083) 183cm |
| 1700008921 | Power cord 3P/3P 1.8M PSE |
| 96CB-POWER-B-1.8MB | Power code 3P CCC(China) 1.8M |
| 98R3P315100 | TPM 2.0 module |

I/O View



- A. 2 x LAN
- B. HDMI
- C. 2 x USB 3.0
- D. 2 x USB 2.0
- E. COM2: RS-232/422/485
- F. COM1: RS-232
- G. DC-In
- H. Power Button

PPC-3211SW-MART

21.5" Panel PC with Win 10 LTSC and Intel® Core™ i5-6300U



Features

- 21.5" true-flat FHD TFT LCD with projected capacitive touch control
- Win 10 IOT LTSC, 8GB DDR4 SDRAM, 128GB 3D TLC SSD
- Fanless design with aluminum alloy enclosure
- Wide Range DC input (12-24V DC), Configurable RS-232/422/485
- IP65-rated front panel, Supports dual displays, VESA 100
- Supports TPM 2.0 (optional)
- No RED Certification



Introduction

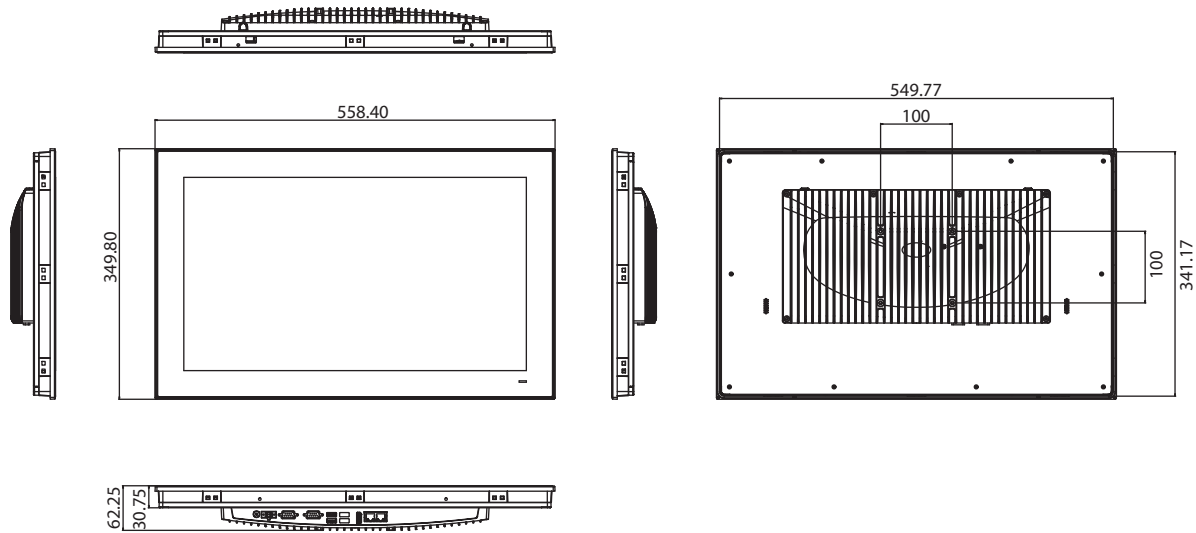
The PPC-3211SW-MART is an all-in-one light panel PC with a wide format 21.5" FHD industrial-grade LCD, Intel® Core™ i5-6300U, 8GB DDR4, 128GB SSD, 90W power adapter and Win 10 LTSC to provide high-performance computing in a compact and fanless system.

Specifications

| | | |
|---------------------------------|--------------------------------------|--|
| System | CPU | i5-6300U |
| | Cores | Dual Core |
| | Frequency | 2.4 GHz; 3.0 GHz with turbo boost |
| | L3 Cache | 3 MB |
| | TDP | 15W |
| | Memory | 1 x 8GB SODIMM DDR4 2400 MHz |
| | Storage | 1 x 128GB 2.5" 3D TLC SSD 1 x mSATA bay |
| | Network (LAN) | 2 x 10/100/1000 Mbps Ethernet (Intel I211-AT; Intel I219LM) |
| | I/O | 2 x Serial ports: 1 x RS-232, 1 x RS-232/422/485(Adjustable through BIOS) 2 x USB 3.0, 2 x USB 2.0 1 x HDMI 1 x TPM 2.0 internal (optional) |
| | Speaker | 2 x 1W |
| Expansion | 1 x Full-size mini PCIe slot | |
| Watchdog Timer | 255 timer levels, set up by software | |
| Physical Characteristics | Dimensions | 558.4 x 349.8 x 62.2 mm (21.9 x 13.7 x 2.4 in) |
| | Weight | 6.8 kg (14.9 lb) |
| OS Support | OS Support | Microsoft® Windows 10 IOT LTSC |
| Power Consumption | Input Voltage | 12 ~ 24 V _{DC} 100-240 V _{AC} (90W A/D adapter in the accessory box) |
| | Power Consumption | 75W |
| LCD | Display Type | 21.5" TFT LCD (LED backlight) |
| | Resolution | 1920 x 1080 |
| | Viewing Angle | 89 (left), 89 (right), 89 (up), 89 (down) |
| | Luminance (cd/m ²) | 300 |
| | Contrast Ratio | 5000 |
| | Backlight Lifetime | 50,000 hr |
| Touchscreen | Touch Type | 10-point multi-touch projected capacitive |
| | Light Transmission | 90 % ± 3 % |
| | Controller | USB interface |
| Environment | Operating Temperature | 0 ~ 50 °C (32 ~ 122 °F) for SSD |
| | Storage Temperature | -20 ~ 60 °C (-4 ~ 140 °F) |
| | Relative Humidity | 10 ~ 95% @ 40 °C (non-condensing) |
| | Shock | Operating 10 G peak acceleration (11 ms duration), follow IEC 60068-2-27 |
| | Vibration | Operating Random Vibration Test 5 ~ 500Hz, 1Grms @with HDD; 2Grms @with SSD, follow IEC 60068-2-64 |
| | EMC | CE, FCC Class B, BSMI |
| | Safety | CB, UL, CCC |
| Front Panel Protection | IP65 compliant | |

Dimensions

Unit: mm

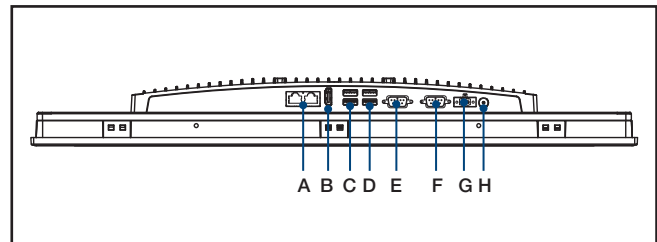


Panel Cutout Dimensions: 550.3 x 341.8 mm (21.66 x 13.45 in)

Ordering Information

| Part Number | Description |
|--------------------|---|
| PPC-3211SW-MART | 21.5" Panel PC with Win 10 LTSC and i5-6300U, 8GB DDR4, 128GB 3D TLC SSD, 90W power adapter |
| PPC-WLAN-C1E | M.2 Wi-Fi Module with Antenna cable support 2T2R |
| PPC-ARM-A03 | ARM VESA Standard (A-CLEVER) for PPC series |
| PPC-174T-WL-MTE | Wall mount kit for PPC series |
| PPC-Stand-A1E | Stand for PPC series |
| 1700001524 | Power cord 3P UL 10A 125V 1.8M |
| 170203183C | Power cord 3P Europe (WS-010+083) 183cm |
| 1700008921 | Power cord 3P/3P 1.8M PSE |
| 96CB-POWER-B-1.8MB | Power cord 3P CCC(China) 1.8M |
| 98R3P315100 | TPM 2.0 module |

I/O View



- A. 2 x LAN
- B. HDMI
- C. 2 x USB 3.0
- D. 2 x USB 2.0
- E. COM2: RS-232/422/485
- F. COM1: RS-232
- G. DC-In
- H. Power Button

Please note: If some optional modules are offered with the system, additional system certificates may be required in certain regions/countries. Please contact Advantech for certificate compliance.

PPC-3211W

21.5" Fanless Widescreen Panel PC with Intel® Core™ i5-7300U Processor



Features

- 21.5" true-flat Full HD LCD panel with projected capacitive touchscreen, anti-glare coating
- Intel® Core™ i5-7300U(default); i7-7600U/i3-7100U(optional) processor with fanless system design
- Supports PCIe x4 or PCI expansion
- 1 x isolated RS-422/485 with auto flow
- Wide input power range (9 ~ 32 V_{DC})
- Dual Gigabit Ethernet with IEEE1588 support
- 3 x Independent displays
- 1 x M.2 bay (2242) for storage only
- 1 x TPM 2.0 internal support (optional)
- Supports VESA 75/100 mounting interface



Introduction

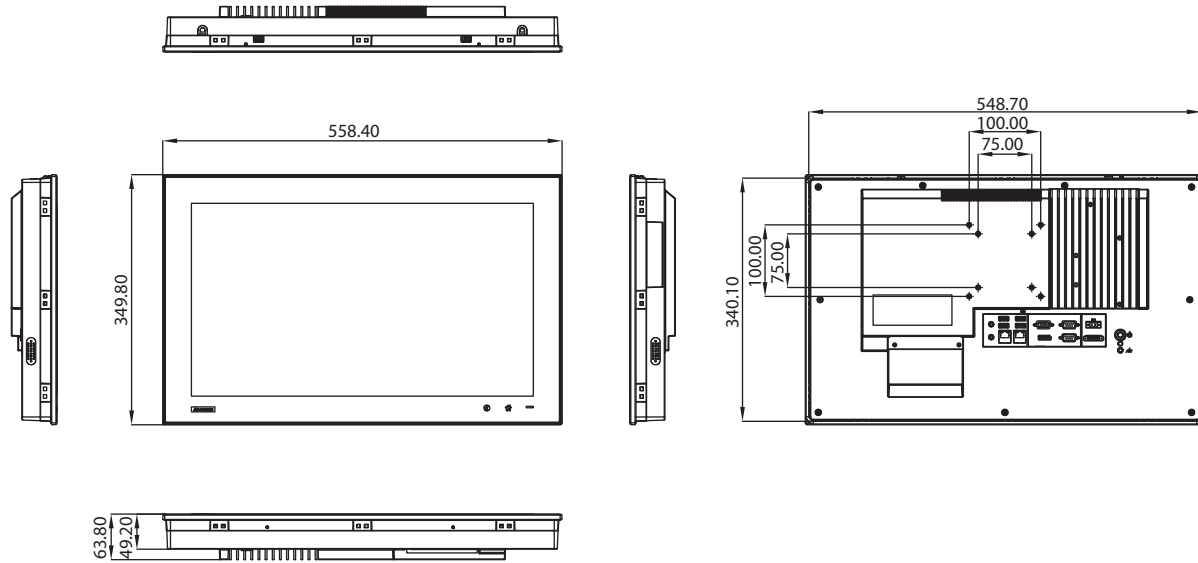
PPC-3211W is a new generation industrial interactive panel PC with a 21.5" TFT full HD LCD 1920 x 1080 resolution, which features a flat, sleek design to greatly reduce maintenance effort. Pre-installed Intel® Core™ i processor and designed fanless architecture, PPC-3211W provide high performance and reliable system for factory automation or variety of industrial applications. Furthermore, with the provision of multiple I/O, dual Intel® Gigabit ethernet, PCI/PCIe expansion, PPC-3211W ensures easy integration and connectivity.

Specifications

| | | |
|---------------------------------|--------------------------------|---|
| System | CPU | Intel® Core™ i5-7300U dual core (default); i7-7600U/i3-7100U (optional) |
| | Frequency | 2.6 GHz, up to 3.5 GHz with turbo |
| | L2 Cache | 3 MB |
| | Memory | 1 x SODIMM DDR4 1866/2133 MHz, (max. 16 GB) |
| | Storage | 2 x 2.5" SATA bay (supports Intel RAID) 1 x M.2 bay (size: 22 x 42 mm, socket 2 B key, for storage only) |
| | Network (LAN) | 2 x 10/100/1000 Mbps Ethernet (Intel® I211-AT; Intel® I219LM) |
| | I/O | 2 x RS-232, 1 x RS-422/485 with 1K V _{DC} isolation Either 2 x RS-232 or 1 x RS-232 + 1 x GPIO(TTL, 8 pin programmable) on right side (optional module) 4 x USB 3.0 1 x Line-out, 1 x Mic-in 1 x DB15 VGA 1 x Display Port (1.2) 1 x TPM 2.0 internal (optional) |
| | Expansion | 1 x Mini PCIe 1 x PCIe x 4 (default); 1 x PCI (in the accessory box) |
| | Watchdog Timer | 255 timer levels, set up by software |
| Speaker | 2 x 1W | |
| Physical Characteristics | Dimensions | 558.4 x 349.8 x 63.8 (22.0 x 13.7 x 2.5 in) |
| | Weight | 7.7 kg (17.1 lb) |
| OS Support | OS Support | Microsoft® Windows 10 (64-bit), Win 10 LTSC, Linux |
| Power Consumption | Input Voltage | 9 ~ 32 V _{DC} |
| | Power Consumption | i5-7300U 75W (Burn-in test 8.1 in Windows 10 64bit) |
| LCD | Display Type | 21.5" TFT LCD (LED backlight) |
| | Max. Resolution | 1920 x 1080 |
| | Viewing Angle | 89 (Left), 89 (Right), 89 (Up), 89 (Down) |
| | Luminance (cd/m ²) | 300 |
| | Contrast Ratio | 5000 |
| | Backlight Lifetime | 50,000 hr (min.) |
| Touchscreen | Touch Type | Multi-touch projected capacitive |
| | Light Transmission | 88 % ± 2 % |
| | Controller | USB interface |
| Environment | Operating Temperature | 0 ~ 50 °C (32 ~ 122 °F) |
| | Storage Temperature | -20 ~ 60 °C (-4 ~ 140 °F) |
| | Relative Humidity | 10 ~ 95% @ 40 °C (Non-Condensing) |
| | Shock | Operating 10 G Peak Acceleration (11 ms Duration), Follows IEC 60068-2-27 |
| | Vibration | Operating Random Vibration Test 5 ~ 500Hz, 1Grms @with HDD; 2Grms @with SSD, Follows IEC 60068-2-64 |
| | EMC | CE, FCC Class B, BSMI |
| | Safety | CB, UL, CCC, BSMI |
| Front Panel Protection | IP65 compliant | |

Dimensions

Unit: mm

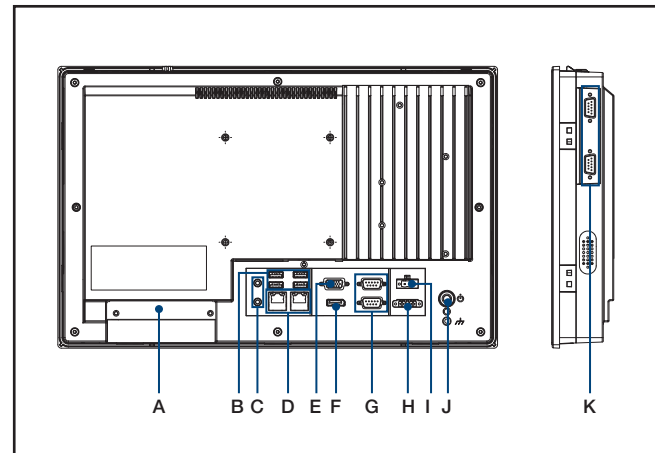


Cut-Out Dimension: 550.3 x 341.8 mm

Ordering Information

| Part Number | Description |
|--------------------|---|
| PPC-3211W-P75A | 21.5" Wide screen PPC with PCT Multi-touch, Intel Core i5-7300U |
| PPC-3211W-P75AU | 21.5" Wide screen PPC with PCT Multi-touch, Intel Core i5-7300U , for U.S. only |
| 96PSA-A150W19P2-3 | ADP A/D 100-240V 150W 19V C14 TERMINAL BLOCK 2P |
| 1700001524 | POWER Cord 3P UL 10A 125V 180cm |
| 170203183C | POWER Code 3P Europe (WS-010+083)183cm |
| 1700008921 | POWER CORD 3P/3P POWER SUPPLY 1.8M PSE |
| 96CB-POWER-B-1.8MA | Power code 3P CCC(China) 1.8M |
| PPC-174T-WL-MTE | Wall mount kit for PPC series |
| PPC-STAND-A1E | Stand for PPC series |
| PPC-ARM-A03 | ARM VESA Standard (A-CLEVER) for PPC series |
| PPC-WLAN-C1E | M.2 Wi-Fi Module with Antenna cable support 2T2R |
| 98R3P321100 | Optional module on right side: Either 2 x RS-232 or 1 x RS-232 + 1 x GPIO (TTL, 8 pin programmable) |
| 98R3P321110 | TPM 2.0 module |

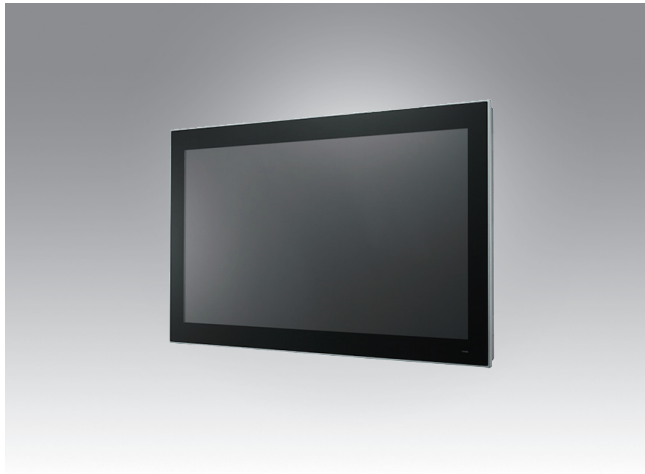
I/O View



- A. 1 x Expansion slot (PCI or PCIe x1)
- B. 4 x USB3.0
- C. 1 x Mic-In/Line-Out
- D. 2 x Intel Gigabit Ethernet
- E. 1 x VGA
- F. 1 x DisplayPort
- G. 2 x RS-232
- H. 1 x Isolated RS-422/485
- I. 1 x DC inlet and AT/ATX switch
- J. 1 x Power button
- K. 2 x RS-232 (on right side optional)

PPC-3241SW-MART

23.8" Panel PC with Win 10 LTSC and Intel® Core™ i5-7300U



Features

- 23.8" true-flat FHD TFT LCD with projected capacitive touch control
- Win 10 IOT LTSC, 8GB DDR4 SDRAM, 128GB 3D TLC SSD
- Fanless design with aluminum alloy enclosure
- Wide Range DC input (12-24V DC), Configurable RS-232/422/485
- IP65-rated front panel, Supports dual displays, VESA 100
- Supports TPM 2.0 (optional)
- No RED Certification



Introduction

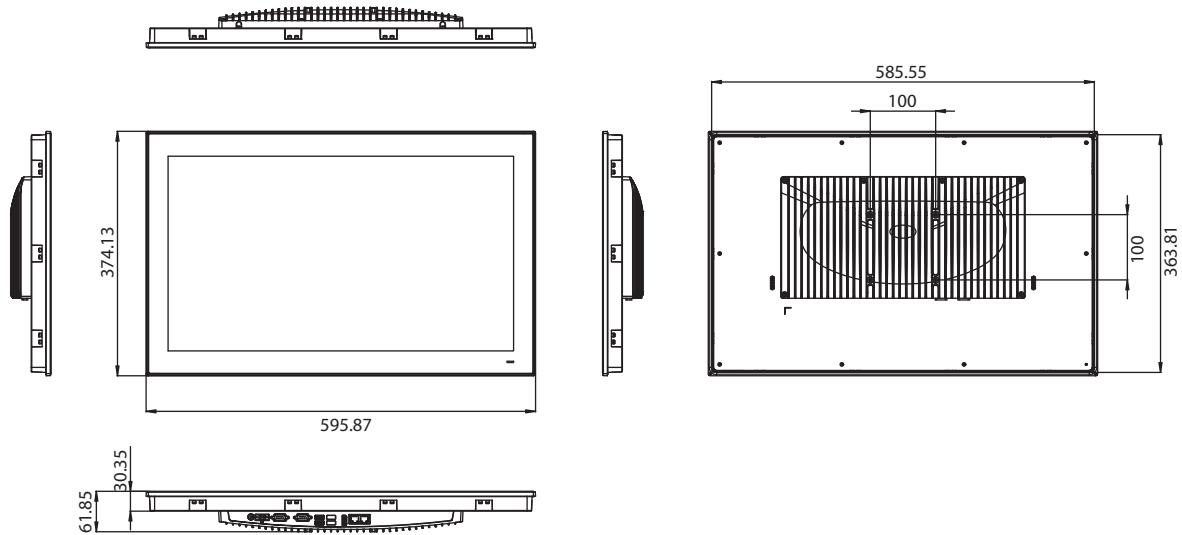
The PPC-3241SW-MART is an all-in-one light panel PC with a wide format 23.8" FHD industrial-grade LCD, Intel® Core™ i5-7300U, 8GB DDR4, 128GB SSD, 90W power adapter and Win 10 LTSC to provide high-performance computing in a compact and fanless system.

Specifications

| | | |
|---------------------------------|--------------------------------------|--|
| System | CPU | i5-7300U |
| | Cores | Dual Core |
| | Frequency | 2.6 GHz; 3.5 GHz with turbo boost |
| | L3 Cache | 3 MB |
| | TDP | 15W |
| | Memory | 1 x 8GB SODIMM DDR4 2400 MHz |
| | Storage | 1 x 128GB 2.5" 3D TLC SSD 1 x mSATA bay |
| | Network (LAN) | 2 x 10/100/1000 Mbps Ethernet (Intel I211-AT; Intel I219LM) |
| | I/O | 2 x Serial ports: 1 x RS-232, 1 x RS-232/422/485(Adjustable through BIOS) 2 x USB 3.0, 2 x USB 2.0 1 x HDMI 1 x TPM 2.0 internal (optional) |
| | Speaker | 2 x 1W |
| Expansion | 1 x Full-size mini PCIe slot | |
| Watchdog Timer | 255 timer levels, set up by software | |
| Physical Characteristics | Dimensions | 595.9 x 374.1 x 61.5 mm (23.5" x 14.7" x 2.4") |
| | Weight | 8.6kg (18.96lb) |
| OS Support | OS Support | Microsoft® Windows 10 IOT LTSC |
| Power Consumption | Input Voltage | 12 ~ 24 V _{DC} 100-240 V _{AC} (90W A/D adapter in the accessory box) |
| | Power Consumption | 80W |
| LCD | Display Type | 23.8" TFT LCD (LED backlight) |
| | Resolution | 1920 x 1080 |
| | Viewing Angle | 89(left), 89(right), 89(up), 89(down) |
| | Luminance (cd/m ²) | 350 |
| | Contrast Ratio | 1000 |
| | Backlight Lifetime | 30,000 hr |
| Touchscreen | Touch Type | 10-point multi-touch projected capacitive |
| | Light Transmission | ≥85% |
| | Controller | USB interface |
| Environment | Operating Temperature | 0 ~ 50 °C (32 ~ 122 °F) for SSD |
| | Storage Temperature | -20 ~ 60 °C (-4 ~ 140 °F) |
| | Relative Humidity | 10 ~ 95% @ 40 °C (non-condensing) |
| | Shock | Operating 10 G peak acceleration (11 ms duration), follow IEC 60068-2-27 |
| | Vibration | Operating Random Vibration Test 5 ~ 500Hz, 1Grms @with HDD; 2Grms @with SSD, follow IEC 60068-2-64 |
| | EMC | CE, FCC Class B, BSMI, EN60601-1-2 |
| | Safety | CB, CCC, UL |
| Front Panel Protection | IP65 compliant | |

Dimensions

Unit: mm

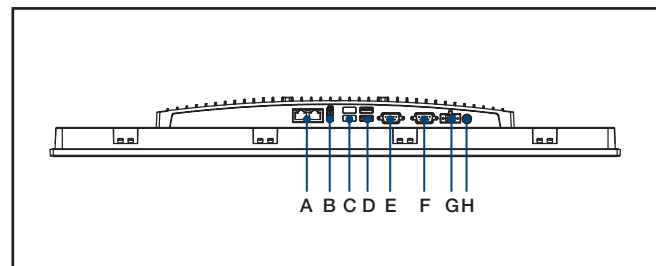


Panel Cutout Dimensions: 586.5 x 364.8 mm (23.09 x 14.36 in)

Ordering Information

| Part Number | Description |
|--------------------|---|
| PPC-3241SW-MART | 23.8" Panel PC with Win 10 LTSC and i5-7300U, 8GB DDR4, 128GB 3D TLC SSD, 90W power adapter |
| PPC-WLAN-C1E | M.2 Wi-Fi Module with Antenna cable support 2T2R |
| PPC-ARM-A03 | ARM VESA Standard (A-CLEVER) for PPC series |
| PPC-174T-WL-MTE | Wall mount kit for PPC series |
| PPC-Stand-A1E | Stand for PPC series |
| 1702002600 | Power Cable UL/CSA (USA) 180D 125V10A 1.83M |
| 1702002605 | Power Cable 90D 220V EUROPEAN 250V/6A 1.8M |
| 96CB-POWER-B-1.8MA | POWER CORD for China 1.8M |
| 98R3P315100 | TPM 2.0 module |

I/O View



- | | |
|----------------|-------------------------|
| A. 2 x LAN | E. COM2: RS-232/422/485 |
| B. HDMI | F. COM1: RS-232 |
| C. 2 x USB 3.0 | G. DC-In |
| D. 2 x USB 2.0 | H. Power Button |

Please note: If some optional modules are offered with the system, additional system certificates may be required in certain regions/countries. Please contact Advantech for certificate compliance.

PPC-4151W

15.6" Fanless Widescreen Panel PC with Intel® Core™ i5-4300U/i3-4010U Processor



Features

- 15.6" true-flat WXGA TFT LCD with projected capacitive or resistive touch control
- High-performance, fanless Intel® Core™ i processor
- Supports PCIe x4 or PCI expansion
- RS-485 with automatic data flow control
- Wide input power range (12 ~ 24 V_{DC})
- Dual Gigabit Ethernet with IEEE1588 support
- 3 x Independent displays



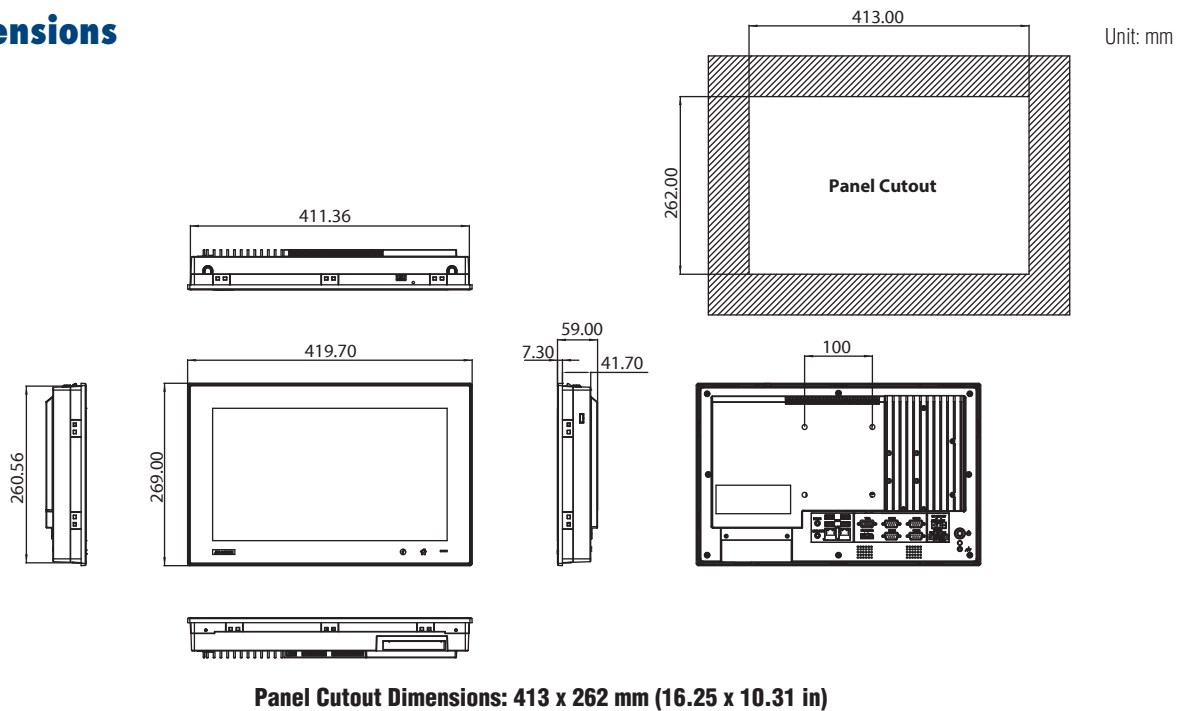
Introduction

The PPC-4151W is a new-generation panel PC equipped with a 15.6" WXGA TFT LCD with 1366 x 768 resolution. Powered by a high-performance Intel® Core™ i processor, the system's fanless thermal design ensures any heat is rapidly dissipated with high efficiency, consolidating performance and reliability in one system. The provision of multiple I/O, including 5 x COM, 5 x USB, and dual Intel® Gigabit Ethernet, ensures easy integration and connectivity. With the inclusion of 1 x PCI/PCIe expansion slot, the PPC-4151W can be integrated with fieldbus protocols or proprietary cards for increased application potential. Finally, the touchscreen with 5-point multi-touch control allows for more intuitive operation for an optimal usage experience.

Specifications

| Model | PPC-4151W-P5AE | | PPC-4151W-R3AE | |
|---------------------------------|--------------------------------|---|---------------------------------|--|
| System | CPU | Intel® Core™ i5-4300U dual core | Intel® Core™ i3-4010U dual core | |
| | Frequency | 1.9 GHz; 2.9 GHz with turbo boost | 1.7 GHz | |
| | L2 Cache | 3 MB | | |
| | Memory | 1 x SODIMM DDR3L 1333/1600 MHz (max. 8 GB) (1.35 V) | | |
| | Storage | 1 x 2.5" SATA bay 1 x mSATA bay | | |
| | Network (LAN) | 2 x 10/100/1000 Mbps Ethernet (Intel I211-AT; Intel I218LM) | | |
| | I/O | 5 x Serial ports: 4 x RS-232, 1 x RS-422/485 with isolation 1K V _{DC} 4 x USB 3.0 ports in rear side, 1 x USB 2.0 in right side 1 x Line-out, 1 x MIC-in 1 x DB15 VGA 1 x Display Port (1.2) | | |
| | Expansion | 1 x Mini PCIe 1 x PCIe x 4 (default); 1 x PCI (in the accessory box) | | |
| | Watchdog Timer | 255 timer levels, set up by software | | |
| | Speaker | 2 x 1W | | |
| Physical Characteristics | Dimensions | 419.7 x 269 x 59 mm (16.5 x 10.6 x 2.3 in) | | |
| | Weight | 5.8 kg (12.79 lb) | | |
| OS Support | OS Support | Microsoft® Windows 7/8.1/10 (32/64-bit), WES7, Linux | | |
| Power Consumption | Input Voltage | 9 ~ 32 V _{DC} | | |
| | Power Consumption | i5-4300U/i3-4010U: 56W (Burn-in test 7.0 in Windows 7 64 bit) | | |
| LCD | Display Type | 15.6" TFT LCD (LED backlight) | | |
| | Max. Resolution | 1366 x 768 | | |
| | Viewing Angle | 85 (Left), 85 (Right), 80 (Up), 80 (Down) | | |
| | Luminance (cd/m ²) | 400 | | |
| | Contrast Ratio | 500 | | |
| | Backlight Lifetime | 50,000 hr (min.) | | |
| Touchscreen | Touch Type | 10-point multi-touch projected capacitive | 5-wire analog resistive | |
| | Light Transmission | 88 % ± 2 % | 80% ± 5% | |
| | Controller | USB interface | | |
| Environment | Operating Temperature | 0 ~ 50 °C (32 ~ 122 °F) with SSD; 0 ~ 45 °C (32 ~ 113 °F) with HDD | | |
| | Storage Temperature | -20 ~ 60 °C (-4 ~ 140 °F) | | |
| | Relative Humidity | 10 ~ 95% @ 40 °C (Non-Condensing) | | |
| | Shock | Operating 10 G Peak Acceleration (11 ms Duration), Follows IEC 60068-2-27 | | |
| | Vibration | Operating Random Vibration Test 5 ~ 500Hz, 1Grms @with HDD; 2Grms @with SSD, Follows IEC 60068-2-64 | | |
| | EMC | CE, FCC Class B, BSMI | | |
| | Safety | CB, UL, CCC, BSMI | | |
| | Front Panel Protection | IP65 compliant | | |

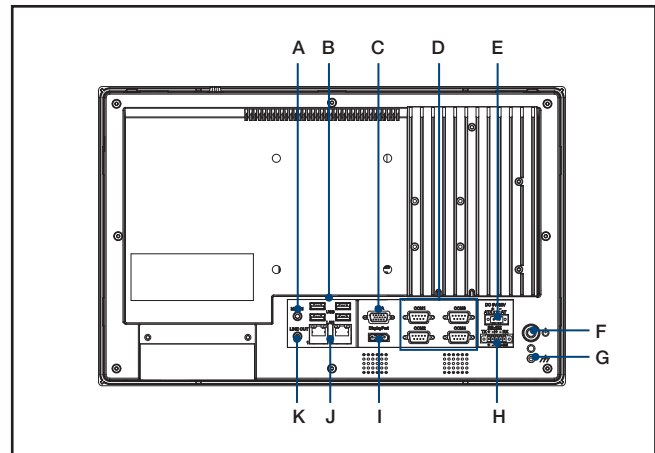
Dimensions



Ordering Information

| Part Number | Description |
|-------------------|---|
| PPC-4151W-P5AE | 15.6" Wide screen PPC with PCT Multi-touch, Intel Core i5-4300U |
| PPC-4151W-R3AE | 15.6" Wide screen PPC with resistive touch, Intel Core i3-4010U |
| 96PSA-A90W190T-1 | Adapter AC100-240V 90W 19V |
| 1700001524 | POWER Cord 3P UL 10A 125V 180cm |
| 170203183C | POWER Code 3P Europe (WS-010+083)183cm |
| 1700008921 | POWER CORD 3P/3P POWER SUPPLY 1.8M PSE |
| 96CB-POWER-B-1.8M | Power code 3P CCC(China) 1.8M |
| PPC-174T-WL-MTE | Wall mount kit for PPC series |
| PPC-STAND-A1E | Stand for PPC series |
| PPC-ARM-A03 | ARM VESA Standard (A-CLEVER) for PPC series |
| PPC-WLAN-B1E | Wi-Fi Module with Antenna Cable 40cm for PPC |

I/O View



- A. Mic-in
- B. 4 x USB 3.0
- C. VGA Port
- D. 4 x RS-232
- E. DC Inlet
- F. Power Button
- G. Ground Line
- H. 1 x RS-422/485
- I. Display Port
- J. 2 x 10/100/1000 Mbps Ethernet
- K. Line Out

PPC-4211W

21.5" Fanless Widescreen Panel PC with Intel® Core™ i5-4300U/i3-4010U Processor



Features

- 21.5" true-flat Full HD TFT LCD with projected capacitive or resistive touch control
- High-performance, fanless Intel® Core™ i processor
- 2 x 2.5" HDD bays (with Intel RAID support)
- Supports PCIe x4 or PCI expansion
- RS-485 with automatic data flow control
- Wide input power range (12 ~ 24 V_{DC})
- Dual Gigabit Ethernet with IEEE1588 support
- 3 x Independent displays



Introduction

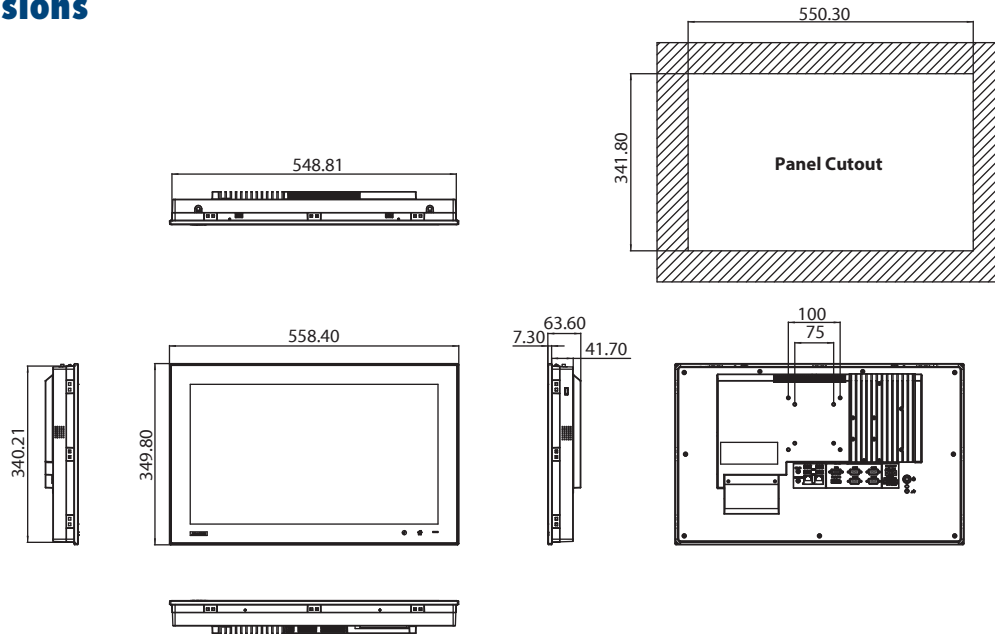
The PPC-4211W is a new-generation panel PC equipped with a 21.5" Full HD TFT LCD with 1920 x 1080 resolution. Powered by a high-performance Intel® Core™ i processor, the system's fanless thermal design ensures any heat is rapidly dissipated with high efficiency, consolidating performance and reliability in one system. The provision of multiple I/O, including 5 x COM, 5 x USB, and dual Intel® Gigabit Ethernet, ensures easy integration and connectivity. With the inclusion of 1 x PCI/PCIe expansion slot, the PPC-4211W can be integrated with fieldbus protocols or proprietary cards for increased application potential. Finally, the touchscreen with 5-point multi-touch control allows for more intuitive operation for an optimal usage experience.

Specifications

| Model | PPC-4211W-P5AE | | PPC-4211W-R3AE |
|--------------------------|--------------------------------|--|---------------------------------|
| System | CPU | Intel® Core™ i5-4300U dual core | Intel® Core™ i3-4010U dual core |
| | Frequency | 1.9 GHz; 2.9 GHz with turbo boost | 1.7 GHz |
| | L2 Cache | 3 MB | |
| | Memory | 1 x SODIMM DDR3L 1333/1600 MHz (max. 8 GB) (1.35 V) | |
| | Storage | 2 x 2.5" SATA bay (supports Intel RAID) 1 x mSATA bay | |
| | Network (LAN) | 2 x 10/100/1000 Mbps Ethernet (Intel I211-AT; Intel I218LM) | |
| | I/O | 5 x Serial ports: 4 x RS-232, 1 x RS-422/485 with isolation 1K VDC 4 x USB 3.0 ports in rear side, 1 x USB 2.0 in right side 1 x Line-out, 1x Mic-in 1 x DB15 VGA 1 x Display Port (1.2) | |
| | Expansion | 1 x Mini PCIe 1 x PCIe x 4 (default); 1 x PCI (in the accessory box) | |
| | Watchdog Timer | 255 timer levels, set up by software | |
| | Speaker | 2 x 1W | |
| Physical Characteristics | Dimensions | 557.77 x 349.17 x 63.6 mm (22.0 x 13.7 x 2.5 in) | |
| | Weight | 7.8 kg (17.2 lb) | |
| OS Support | OS Support | Microsoft® Windows 7/8.1/10 (32/64-bit), WEST, Linux | |
| Power Consumption | Input Voltage | 12 ~ 32 V _{DC} | |
| | Power Consumption | i5-4300U/i3-4010U: 66W (Burn-in test 7.0 in Windows 7 64 bit) | |
| LCD | Display Type | 21.5" TFT LCD (LED backlight) | |
| | Max. Resolution | 1920 x 1080 | |
| | Viewing Angle | 89 (Left), 89 (Right), 89 (Up), 89 (Down) | |
| | Luminance (cd/m ²) | 300 | |
| | Contrast Ratio | 5000 | |
| | Backlight Lifetime | 50,000 hr (min.) | |
| Touchscreen | Touch Type | 10-point multi-touch projected capacitive | 5-wire analog resistive |
| | Light Transmission | 88 % ± 2 % | 80% ± 3% |
| | Controller | USB interface | |
| Environment | Operating Temperature | 0 ~ 50 °C (32 ~ 122 °F) | |
| | Storage Temperature | -20 ~ 60 °C (-4 ~ 140 °F) | |
| | Relative Humidity | 10 ~ 95% @ 40 °C (Non-Condensing) | |
| | Shock | Operating 10 G Peak Acceleration (11 ms Duration), Follows IEC 60068-2-27 | |
| | Vibration | Operating Random Vibration Test 5 ~ 500Hz, 1Grms @with HDD; 2Grms @with SSD, Follows IEC 60068-2-64 | |
| | EMC | CE, FCC Class B, BSMI | |
| | Safety | CB, UL, CCC, BSMI | |
| | Front Panel Protection | IP65 compliant | |

Dimensions

Unit: mm

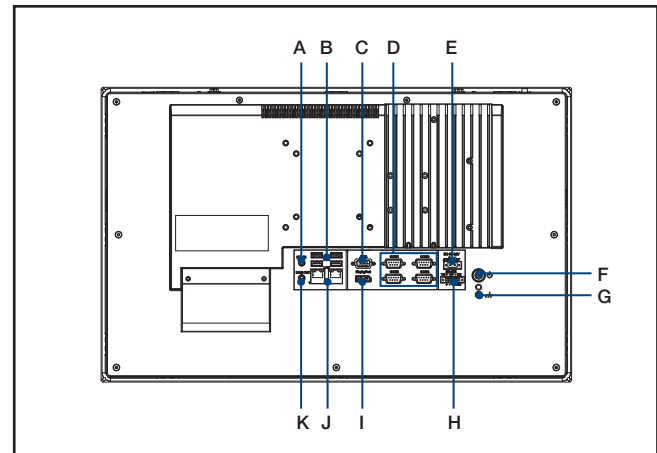


Panel Cutout Dimensions: 550.3 x 341.8 mm (21.66 x 13.45 in)

Ordering Information

| Part Number | Description |
|--------------------|---|
| PPC-4211W-P5AE | 21.5" Wide screen PPC with PCT Multi-touch, Intel Core i5-4300U |
| PPC-4211W-R3AE | 21.5" Wide screen PPC with resistive touch, Intel Core i3-4010U |
| 1702002600 | Power Cord 3P UL/CSA (USA) 125V 10A 1.83M 180D |
| 1702002605 | Power Cable 90D 220V EUROPEAN 250V/6A 1.8M |
| 96CB-POWER-B-1.8M1 | POWER CORD for China 1.8M |
| 96PSA-A150W19P2-1 | Adapter AC100-240V 150W 19V |
| PPC-174T-WL-MTE | Wall mount kit for PPC series |
| PPC-ARM-A03 | ARM VESA Standard (A-CLEVER) for PPC series |
| PPC-WLAN-B1E | Wi-Fi Module with Antenna Cable 40cm for PPC |
| PPC-STAND-A1E | Stand for PPC Series |

I/O View



- A. Mic-in
- B. 4 x USB 3.0
- C. VGA Port
- D. 4 x RS-232
- E. DC Inlet
- F. Power Button
- G. Ground Line
- H. 1 x RS-422/485
- I. Display Port
- J. 2 x 10/100/1000 Mbps Ethernet
- K. Line-out