

# PPC-6121

## 12.1" Panel PC with 8th Generation Intel® Core™ i/Celeron® Processor



### Features

- 12.1" TFT XGA LCD panel with resistive touch control
- 8th generation Intel® Core™ i/Celeron® processor (thermal power design: 35W)
- 2 x 260-pin SO-DIMM DDR4 2666 MHz (max. 32 GB)
- 1 x M.2 2230 (E key)
- 1 x mSATA bay (support RAID 0&1)
- 1 x Optional TPM2.0
- 1 x Optional PCI/PCIe x4 expansion kit
- 1 x Isolated RS422/485 (terminal block)
- 1 x VGA and 1 x HDMI
- Dual GbE with Intel® AMT12.0 support



### Introduction

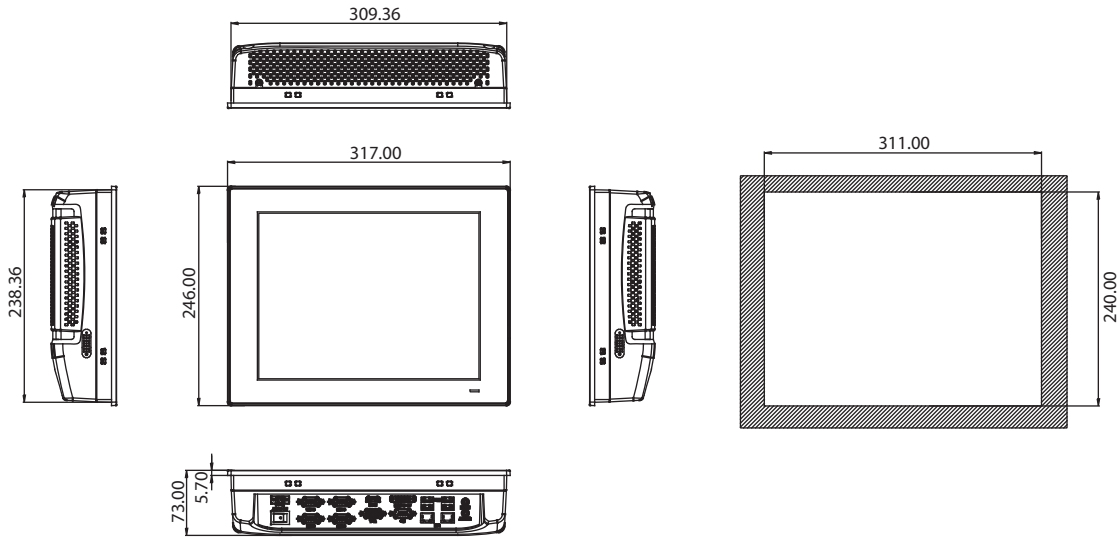
The PPC-6121 is a 12.1" color TFT LCD panel PC that supports 8th generation Intel® Core™ i/Celeron® processors for high-performance computing. Featuring various connectors, PPC-6121 can be easily installed to support diverse application. Additionally, the system's user-friendly interface makes it ideal for information-based applications. The provision of 4 x RS-232, 1 x isolated RS422/485, and dual Intel® Gigabit Ethernet connectors with Intel® AMT support, as well as 1 x expansion slot, makes PPC-6121 a highly reliable and versatile display platform.

### Specifications

<b>Processor System</b>	CPU	i7-8700T	i5-8500T	i3-8100T	Pentium G5400T	Celeron G4900T
	Cores	6	6	4	2	2
	Frequency	2.4 GHz (up to 4.0 GHz)	2.1 GHz (up to 3.5 GHz)	3.1 GHz	3.1 GHz	2.9 GHz
	L3 Cache	12 MB	9 MB	6 MB	4 MB	2 MB
	TDP	35W	35W	35W	35W	35W
	Chipset	Q370				
	Memory	2 x 260-pin SO-DIMM DDR4 2666 MHz (max. 32 GB)				
	Storage	1 x 2.5" SATA bay; 1 x mSATA bay (SATA HDD+mSATA support RAID 0&1)				
	Network (LAN)	2 x 10/100/1000 Mbps Ethernet (Intel I219-LM + Intel I211) , supports Intel AMT 12.0 (only i7 /i5 support)				
	I/O ports	4 x RS-232, 1 x RS-422/485 with 1K VDC isolation, 4 x USB3.1 1 x DB15 VGA, 1 x HDMI 1.4 1 x Mic in, 1 x Line out 1 x GPIO(TTL, 8 pin programmable) 1 x TPM2.0 (optional)				
	Expansion	1 x M.2 2230(E key) 1 x PCIe x4 or 1 x PCI (optional)				
	Watchdog Timer	255 timer levels; setup by software				
	Speaker	2 x 1W				
	SYS Fan	40 x 40 x 10 mm (1.57 x 1.57 x 0.39 in)				
<b>Physical Characteristics</b>	Dimensions	317 x 246 x 73mm(12.48 x 9.69 x 2.87 in)				
	Weight	3.8 kg (8.38 lb)				
<b>OS Support</b>	OS Support	Microsoft® Windows 10 64bit, Linux (Ubuntu; Fedora 28)				
<b>Power Consumption</b>	Input Voltage	12 ~ 30V <sub>DC</sub>				
	Power Consumption	120W (Burn-in test 8.1, Windows 10 64bit, i7-8700T, 16G RAM, 500G HDD)				
<b>LCD Display</b>	Display Type	12.1" TFT LCD panel				
	Max. Resolution	1024 x 768				
	Viewing Angle	89 (left), 89 (right), 89 (up), 89 (down)				
	Luminance (cd/m <sup>2</sup> )	600				
	Contrast Ratio	1000				
	Backlight Lifetime	50,000 hr (min.)				

**Dimensions**

Unit: mm



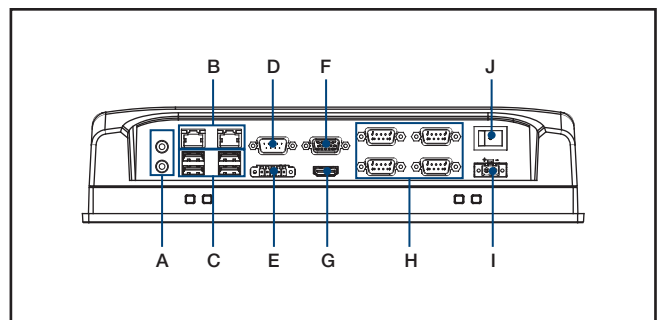
**Panel Cutout Dimensions: 311 x 240 mm (12.24 x 9.44 in)**

<b>Touchscreen</b>	Touch Type	5-wire resistive
	Light Transmission	80±5% at 550nm wavelength
	Controller	USB interface
	Durability (Touches)	Greater than 35 million touches in one location without failure
<b>Environment</b>	Operating Temperature	0 ~ 50 °C (32 ~ 122 °F)
	Storage Temperature	-40 ~ 90 °C (-40 ~ 194 °F)
	Relative Humidity	10 ~ 95% @ 40 °C (non-condensing)
	Shock	Operating 10 G peak acceleration (11 ms duration), follow IEC 60068-2-27
	Vibration	Operating Random Vibration Test 5 ~ 500Hz, 1Grms @with HDD, follow IEC 60068-2-64
	EMC	CE, FCC Class A, BSMI
	Safety	CB, UL,CCC, BSMI
	Front Panel Protection	IP65 compliant

**Ordering Information**

Part Number	Description
PPC-6121-R8IA	12.1" 8th Gen Intel® Core™ i/Celeron® panel PC with resistive touchscreen
PPC-6121-R8IAU	12.1" 8th Gen Intel® Core™ i/Celeron® panel PC with resistive touchscreen(for U.S. only)
1702002600	Power Cable UL/CSA (USA) 180D 125V10A 1.83M
1702002605	Power Cable 90D 220V EUROPEAN 250V/6A 1.8M
96CB-POWER-B-1.8MA	POWER CORD for China 1.8M
PPC-174T-WL-MTE	Wall mount kit for PPC series
PPC-ARM-A03	PPC ARM VESA Standard
PPC-STAND-A1E	Stand For PPC Series
98R3P612100	TPM module for PPC-6121
PPC-WLAN-C1E	WiFi Module with Antenna Cable 40cm for PPC
98R36121000	Add-on box for PCI or PCIe expansion (include PCI / PCIe riser card)
96PSA-A150W19P2-3	ADP A/D 100-240V 150W 19V C14 TERMINAL BLOCK 2P

**I/O View**



- A. 1 x Line-out/ Mic-in
- B. 2 x Intel Gigabit Ethernet
- C. 4 x USB3.1
- D. 1 x GPIO
- E. 1 x isolated RS-422/485
- F. 1 x VGA
- G. 1 x HDMI
- H. 4 x RS-232
- I. 1 x DC input
- J. 1 x Power button

# PPC-6151C

## 15" Configurable Panel PC Chassis for Selectable Mini-ITX Motherboards



### Features

- 15" true-flat panel PC with resistive touch
- Supports certified mini-ITX motherboards (up to 65W TDP processor)
- PCI or PCIe expansion slots
- Front-facing power status LED indicators
- IP65-rated front panel
- Optional VESA mount module



### Specifications

Model	PPC-6151C-RTAE		PPC-6151C-RMAE		
<b>Supported Motherboard</b>	PPC-MB-8260AE		<ul style="list-style-type: none"> <li>▪ AIMB-275</li> <li>▪ AIMB-226</li> </ul>		
<b>Chassis</b>	Storage	1 x 2.5" SATA HDD bay	2 x 2.5" SATA HDD bay		
	I/O	4 x Reserved ports (DB9) 2 x WLAN antenna holes  1 x AC inlet 1 x Power switch Reserved opening: According to the PPC-MB-8260AE motherboard specifications	1 x AC inlet 1 x Power switch 1 x DP (input, for connecting the motherboard and LVDS panel) 1 x USB 2.0 (input, for connecting the motherboard and touch controller) Reserved opening: According to the motherboard specifications		
	Expansion	1 x PCIe x4 or 2 x PCI (in the accessory box), 2 x PCIe x1 (optional), 1 x PCIe x1 + 1 x PCI (optional)	1 x PCIe x4 or 1 x PCI (in the accessory box)		
	Speaker	2 x 1 W	2 x 1 W (optional)		
	Fan	2 x 12V; 60 x 60 x 15 mm (2.36 x 2.36 x 0.59 in)			
<b>Physical Characteristics</b>	Dimensions (W x H x D)		391.4 x 312.5 x 103.6 mm (15.4 x 12.3 x 4.08 in)		
	Weight		5.03 kg (11.08 lb)		
<b>OS Support</b>	OS Support			According to motherboard specifications	
<b>Power Consumption</b>	Input Voltage		100 ~ 240 V <sub>AC</sub> , 250W		
	Power Consumption		SKL: 90W (Burn-in test 7.0 in Windows 7, 64 bit) (with PPC-MB-8260AE) KBL: 120W (Burn-in test 8.1 in Windows 10, 64 bit) (with PPC-MB-8260AE)		
<b>LCD</b>	Display Type		15" TFT LED panel		
	Max. Resolution		1024 x 768		
	Viewing Angle		88 ° (left), 88 ° (right), 88 ° (up), 88 ° (down)		
	Luminance (cd/m <sup>2</sup> )		500		
	Contrast Ratio		2500		
	Backlight Lifetime		50,000 hr		
<b>Touchscreen</b>	Touch Type		5-wire analog resistive, with optional projected capacitive touch		
	Light Transmission		80+/-5%		
	Controller		USB interface		
	Durability		35 million touches		
<b>Environment</b>	Operating Temperature	w/o VESA mount module 0 ~ 50 °C (32 ~ 122 °F) (With SKL CPU)	with VESA mount module 0 ~ 45 °C (32 ~ 113 °F) (With SKL CPU)	0 ~ 50 °C (32 ~ 122 °F) 0 ~ 45 °C (32 ~ 113 °F) with VESA mount module	
		0 ~ 45 °C (32 ~ 113 °F) (With KBL CPU)	0 ~ 40 °C (32 ~ 104 °F) (With KBL CPU)		
		*** please refer to the PPC-MB-8260AE CPU list			
	Storage Temperature		-30 ~ 60 °C (-22 ~ 140 °F)		
	Relative Humidity		10 ~ 95% @ 40 °C (non-condensing)		
	Shock		Operating: 10 G peak acceleration (11 ms duration), IEC 60068-2-27 compliant		
	Vibration		Operating: Random vibration test 5 ~ 500 Hz, 1 Grms @ with HDD, IEC 60068-2-64 compliant		
	EMC		BSMI,CE,FCC,Class A		
	Safety		BSMI,CB,CCC,UL		
	Front Panel Protection		IP65 compliant		

## Motherboard Specifications

### PPC-MB-8260AE (For PPC-6151C-RTAE only)

CPU	CPU	KBL	i7-7700	i5-7500	i3-7101E	/	/
		SKL	i7-6700TE	i5-6500TE	i3-6100TE	Pentium G4400TE	Celeron G3900TE
	Core NO.		Quad Core	Quad Core	Dual Core	Dual Core	Dual Core
	MAX Speed	KBL	3.6GHz (up to 4.2GHz)	3.4GHz (up to 3.8GHz)	3.9GHz	/	/
		SKL	2.4GHz (up to 3.4GHz)	2.3GHz (up to 3.3GHz)	2.7GHz	2.4GHz	2.3GHz
	L3 Cache	KBL	8M	6M	4M	/	/
SKL				3M	3M	2M	
TDP	KBL	65W	65W	54W	/	/	
	SKL	35W	35W	35W	35W	35W	
Chipset			H110				
Memory			1 x 260-pin SODIMM DDR4, 2133 MHz, up to 16 GB (non-ECC)				
Network (LAN)			2 x 10/100/1000 Mbps Ethernet and 2 x Intel® I211				
Rear I/O			1 x RS232/422/485, 1 x RS232, 1 x DP1.2, 1 x VGA, 4 x USB3.0, 1 x Line-out, 1 x Mic-in				
Internal Connector			3 x RS232, 1 x GPIO (8 channels), 1 x speaker, 1 x LED, 2 x USB 2.0, 1 x LVDS, 1 x touch control, 2 x SATA				
Watchdog Timer			255 timer intervals, configurable using software				
Expansion			1 x full-size mSATA or mini PCIe and 1 x PCIe x4 slot for riser card				
Dimensions (W x H)			170 x 170 mm (6.69" x 6.69")				
OS Support			Microsoft® Windows 7 (32/64-bit), Windows 8.1/10 (64-bit) (**KBL CPU only support windows 10 64bit)				

## Ordering Information

M/B Part Number	Chassis Part Number	Cooler Part Number
PPC-MB-8260AE	PPC-6151C-RTAE	1960053207N001
PPC-MB-8260AU (for U.S. only)	PPC-6151C-RTAU (for U.S. only)	1960053207N001
AIMB-275	PPC-6151C-RMAE	1960053207N001
AIMB-226	PPC-6151C-RMAE	1960061914N001

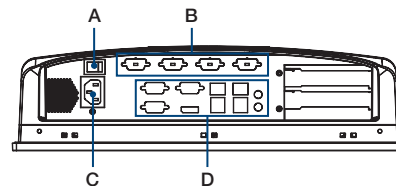
Note 1. The motherboard, chassis, and cooler should be ordered together to ensure easy configuration.  
 Note 2. The chassis is equipped with AC power supply and riser cards.

## Optional Accessories

Part Number	Description
PPC-WLAN-C1E	Wi-Fi module with antenna cable (40 cm) for PPC
1702002605	Power cable (EU) 90D 220 – 250V/6A, 1.8 M
1702002600	Power cable (US) 180D 125V/10A, 1.83 M
1702031801	Power cable (UK), 1.8 M
96CB-POWER-B-1.8MA	Power cable (China), 1.8 M
PPC-6151C-VESAE	VESA module for PPC-6151C (operating temperature 0 – 45 °C)
9893BE0200E	PPC-61X1C-RTAE riser card with 2 x PCIe x1 slots
9893BE03000	PPC-61X1C-RTAE riser card with 1 x PCIe x1 and 1 x PCI slots
PPC-ARM-A03	ARM VESA Standard (A-CLEVER) for PPC series (for VESA mount version only)
PPC-174T-WL-MTE	Wall mount kit for PPC series (for VESA mount version only)
PPC-Stand-A1E	Stand for PPC series (for VESA mount version only)
1700027838-01	Cable for two internal USB for PPC-MB-8260AE with I/O BKT

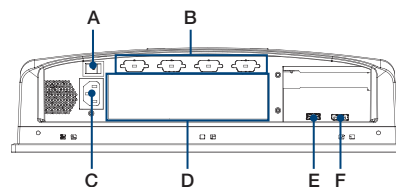
## I/O View

### PPC-6151C-RTAE



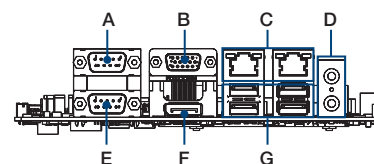
- A. Power switch
- B. Reserved ports
- C. AC inlet
- D. PPC-MB-8260AE I/O port

### PPC-6151C-RMAE



- A. Power switch
- B. Reserved ports
- C. AC inlet
- D. Mini-ITX motherboard I/O port
- E. USB 2.0 (input, for connecting the motherboard and touch controller)
- F. Display port (input, for connecting the motherboard and LVDS panel)

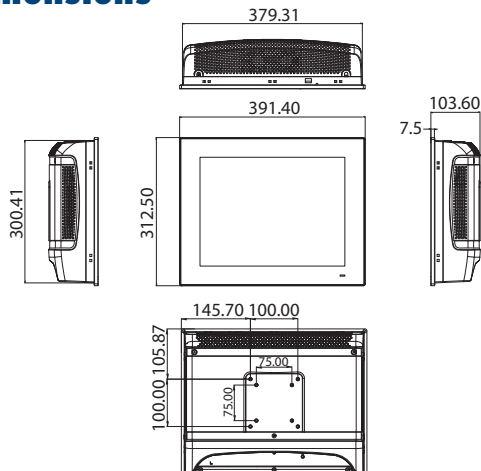
### PPC-MB-8260AE



- A. RS232
- B. VGA
- C. 2 x Gigabit Ethernet
- D. Line-out/Mic-in
- E. RS232/422/485
- F. Display Port
- G. USB 3.0

## Dimensions

Unit: mm



Optional kit for VESA mounting using M4 8-mm screws  
 Panel Cutout Dimensions: 382 x 303 mm (15.03 x 11.92 in)

# PPC-6171C

## 17" Configurable Panel PC Chassis for Selectable Mini-ITX Motherboards



### Features

- 17" true-flat panel PC with resistive touch
- Supports certified mini-ITX motherboards (up to 65W TDP processor)
- PCI or PCIe expansion slots
- Front-facing power status LED indicators
- IP65-rated front panel
- Optional VESA mount module



### Specifications

Model	PPC-6171C-RTAE		PPC-6171C-RMAE	
Supported Motherboard	PPC-MB-8260AE		<ul style="list-style-type: none"> <li>▪ AIMB-275</li> <li>▪ AIMB-226</li> </ul>	
Chassis	Storage	1 x 2.5" SATA HDD bay	2 x 2.5" SATA HDD bay	
	I/O	4 x Reserved ports (DB9) 2 x WLAN antenna holes		
		1 x AC inlet 1 x Power switch Reserved opening: According to the PPC-MB-8260AE motherboard specifications	1 x AC inlet 1 x Power switch 1 x DP (input, for connecting the motherboard and LVDS panel) 1 x USB 2.0 (input, for connecting the motherboard and touch controller) Reserved opening: According to the motherboard specifications	
	Expansion	1 x PCIe x4 or 2 x PCI (in the accessory box) 2 x PCIe x1 (optional) 1 x PCIe x1 + 1 x PCI (optional)	1 x PCIe x4 or 1 x PCI (in the accessory box)	
	Speaker	2 x 1 W	2 x 1 W (optional)	
	Fan	2 x 12V; 60 x 60 x 15 mm (2.36 x 2.36 x 0.59 in)		
Physical Characteristics	Dimensions (W x H x D)	437 x 357 x 107.6 mm (17.2 x 14.06 x 4.2 in)		
	Weight	5.4 kg (11.9 lb)		
OS Support	OS Support	According to motherboard specifications		
	Input Voltage	100 ~ 240 V <sub>AC</sub> , 250W		
Power Consumption	Power Consumption	SKL: 95W (Burn-in test 7.0 in Windows 7, 64 bit) (with PPC-MB-8260AE) KBL: 125W (Burn-in test 8.1 in Windows 10, 64 bit) (with PPC-MB-8260AE)		
	Display Type	17" TFT LED panel		
LCD	Max. Resolution	1280 x 1024		
	Viewing Angle	80 (left), 80 (right), 60 (up), 80 (down)		
	Luminance (cd/m <sup>2</sup> )	350		
	Contrast Ratio	800		
	Backlight Lifetime	50,000 hr		
	Touchscreen	Touch Type	5-wire analog resistive, with optional projected capacitive touch	
Light Transmission		80+/-5%		
Controller		USB interface		
Durability		35 million touches		
Environment	Operating Temperature	w/o VESA mount module 0 ~ 50 °C (32 ~ 122 °F) (With SKL CPU) 0 ~ 45 °C (32 ~ 113 °F) (With KBL CPU)	with VESA mount module 0 ~ 45 °C (32 ~ 113 °F) (With SKL CPU) 0 ~ 40 °C (32 ~ 104 °F) (With KBL CPU)	0 ~ 50 °C (32 ~ 122 °F) 0 ~ 45 °C (32 ~ 113 °F) with VESA mount module
		*** please refer to the PPC-MB-8260AE CPU list		
	Storage Temperature	-30 ~ 60 °C (-22 ~ 140 °F)		
	Relative Humidity	10 ~ 95% @ 40 °C (non-condensing)		
	Shock	Operating: 10 G peak acceleration (11 ms duration), IEC 60068-2-27 compliant		
	Vibration	Operating: Random vibration test 5 ~ 500 Hz, 1 Grms @ with HDD, IEC 60068-2-64 compliant		
	EMC	BSMI, CE, FCC, Class A		CE, FCC, Class A
	Safety	BSMI, CB, CCC, UL		CB, CCC, UL
	Front Panel Protection	IP65 compliant		

## Motherboard Specifications

### PPC-MB-8260AE (For PPC-6171C-RTAE only)

CPU	CPU	KBL	i7-7700	i5-7500	i3-7101E	/	/
		SKL	i7-6700TE	i5-6500TE	i3-6100TE	Pentium G4400TE	Celeron G3900TE
	Core NO.		Quad Core	Quad Core	Dual Core	Dual Core	Dual Core
	MAX Speed	KBL	3.6GHz (up to 4.2GHz)	3.4GHz (up to 3.8GHz)	3.9GHz	/	/
		SKL	2.4GHz (up to 3.4GHz)	2.3GHz (up to 3.3GHz)	2.7GHz	2.4GHz	2.3GHz
	L3 Cache	KBL	8M	6M	4M	/	/
SKL				3M	3M	2M	
TDP	KBL	65W	65W	54W	/	/	
	SKL	35W	35W	35W	35W	35W	
Chipset	H110						
Memory	1 x 260-pin SODIMM DDR4, 2133 MHz, up to 16 GB (non-ECC)						
Network (LAN)	2 x 10/100/1000 Mbps Ethernet and 2 x Intel® I211						
Rear I/O	1 x RS232/422/485, 1 x RS232, 1 x DP1.2, 1 x VGA, 4 x USB3.0, 1 x Line-out, 1 x Mic-in						
Internal Connector	3 x RS232, 1 x GPIO (8 channels), 1 x speaker, 1 x LED, 2 x USB 2.0, 1 x LVDS, 1 x touch control, 2 x SATA						
Watchdog Timer	255 timer intervals, configurable using software						
Expansion	1 x full-size mSATA or mini PCIe and 1 x PCIe x4 slot for riser card						
Dimensions (W x H)	170 x 170 mm (6.69 x 6.69")						
OS Support	Microsoft® Windows 7 (32/64-bit), Windows 8.1/10 (64-bit), Linux (**KBL CPU only support windows 10 64bit)						

## Ordering Information

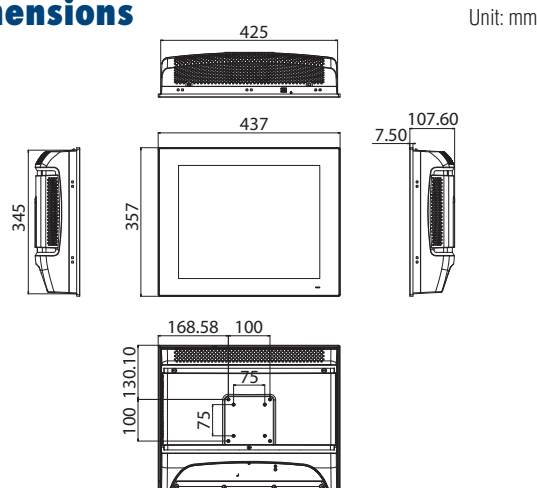
M/B Part Number	Chassis Part Number	Cooler Part Number
PPC-MB-8260AE	PPC-6171C-RTAE	1960053207N001
PPC-MB-8260AU (for U.S. only)	PPC-6171C-RTAU (for U.S. only)	1960053207N001
AIMB-275	PPC-6171C-RMAE	1960053207N001
AIMB-226	PPC-6171C-RMAE	1960061914N001

Note 1. The motherboard, chassis, and cooler should be ordered together to ensure easy configuration.  
 Note 2. The chassis is equipped with AC power supply and riser cards.

## Optional Accessories

Part Number	Description
PPC-WLAN-C1E	Wi-Fi module with antenna cable (40 cm) for PPC
1702002605	Power cable (EU) 90D 220 - 250V/6A, 1.8 M
1702002600	Power cable (US) 180D 125V/10A, 1.83 M
1702031801	Power cable (UK), 1.8 M
96CB-POWER-B-1.8MA	Power cable (China), 1.8 M
PPC-6171C-VESAE	VESA module for PPC-6171C (operating temperature 0 ~ 45 °C)
9893BE0200E	PPC-61X1C-RTAE riser card with 2 x PCIe x1 slots
9893BE03000	PPC-61X1C-RTAE riser card with 1 x PCIe x1 and 1 x PCI slots
PPC-ARM-A03	ARM VESA Standard (A-CLEVER) for PPC series (for VESA mount version only)
PPC-174T-WL-MTE	Wall mount kit for PPC series (for VESA mount version only)
PPC-Stand-A1E	Stand for PPC series (for VESA mount version only)
1700027838-01	Cable for two internal USB for PPC-MB-8260AE with I/O BKT

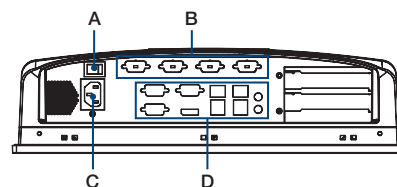
## Dimensions



Optional kit for VESA mounting using M4 8-mm screws  
 Panel Cutout Dimensions: 427 x 347 mm (16.81 x 13.66 in)

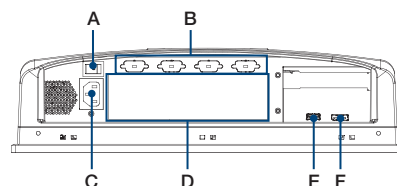
## I/O View

### PPC-6171C-RTAE



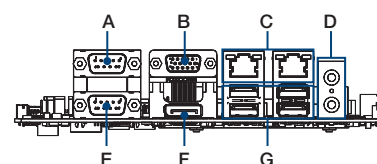
- A. Power switch
- B. Reserved ports
- C. AC inlet
- D. PPC-MB-8260AE I/O port

### PPC-6171C-RMAE



- A. Power switch
- B. Reserved ports
- C. AC inlet
- D. Mini-ITX motherboard I/O port
- E. USB 2.0 (input, for connecting the motherboard and touch controller)
- F. Display port (input, for connecting the motherboard and LVDS panel)

### PPC-MB-8260AE



- A. RS232
- B. VGA
- C. 2 x Gigabit Ethernet
- D. Line-out/Mic-in
- E. RS232/422/485
- F. Display Port
- G. USB 3.0

# PPC-6191C

## 19" Configurable Panel PC Chassis for Selectable Mini-ITX Motherboards



### Features

- 19" true-flat panel PC with resistive touch
- Supports certified mini-ITX motherboards (up to 65W TDP processor)
- PCI or PCIe expansion slots
- Front-facing power status LED indicators
- IP65-rated front panel
- Optional VESA mount module



### Specifications

Model	PPC-6191C-RTAE		PPC-6191C-RMAE	
Supported Motherboard	PPC-MB-8260AE		<ul style="list-style-type: none"> <li>▪ AIMB-275</li> <li>▪ AIMB-226</li> </ul>	
Chassis	Storage	1 x 2.5" SATA HDD bay	2 x 2.5" SATA HDD bay	
	I/O	4 x Reserved ports (DB9) 2 x WLAN antenna holes		
		1 x AC inlet 1 x Power switch Reserved opening: According to the PPC-MB-8260AE motherboard specifications	1 x AC inlet 1 x Power switch 1 x DP (input, for connecting the motherboard and LVDS panel) 1 x USB 2.0 (input, for connecting the motherboard and touch controller) Reserved opening: According to the motherboard specifications	
	Expansion	1 x PCIe x4 or 2 x PCI (in the accessory box) 2 x PCIe x1 (optional) 1 x PCIe x1 + 1 x PCI (optional)	1 x PCIe x4 or 1 x PCI (in the accessory box)	
	Speaker	2 x 1 W	2 x 1 W (optional)	
Physical Characteristics	Fan	2 x 12V; 60 x 60 x 15 mm (2.36 x 2.36 x 0.59 in)		
	Dimensions (W x H x D)	454 x 379.8 x 107.5 mm (17.9 x 15 x 4.2 in)		
	Weight	5.8 kg (12.8 lb)		
OS Support	OS Support	According to motherboard specifications		
	Input Voltage	100 ~ 240 V <sub>AC</sub> , 250W		
Power Consumption	Power Consumption	SKL: 100W (Burn-in test 7.0 in Windows 7, 64 bit) (with PPC-MB-8260AE) KBL: 128W (Burn-in test 8.1 in Windows 10, 64 bit) (with PPC-MB-8260AE)		
	Display Type	19" TFT LED panel		
LCD Display	Max. Resolution	1280 x 1024		
	Viewing Angle	85 (left), 85 (right), 80 (up), 80 (down)		
	Luminance (cd/m <sup>2</sup> )	350		
	Contrast Ratio	1000		
	Backlight Lifetime	50,000 hr		
Touchscreen	Touch Type	5-wire analog resistive, with optional projected capacitive touch		
	Light Transmission	80+/-5%		
	Controller	USB interface		
	Durability	35 million touches		
Environment	Operating Temperature	w/o VESA mount module 0 ~ 50 °C (32 ~ 122 °F) (With SKL CPU) 0 ~ 45 °C (32 ~ 113 °F) (With KBL CPU)	with VESA mount module 0 ~ 45 °C (32 ~ 113 °F) (With SKL CPU) 0 ~ 40 °C (32 ~ 104 °F) (With KBL CPU)	0 ~ 50 °C (32 ~ 122 °F) 0 ~ 45 °C (32 ~ 113 °F) with VESA mount module
		*** please refer to the PPC-MB-8260AE CPU list		
	Storage Temperature	-30 ~ 60 °C (-22 ~ 140 °F)		
	Relative Humidity	10 ~ 95% @ 40 °C (non-condensing)		
	Shock	Operating: 10 G peak acceleration (11 ms duration), IEC 60068-2-27 compliant		
	Vibration	Operating: Random vibration test 5 ~ 500 Hz, 1 Grms @ with HDD, IEC 60068-2-64 compliant		
	EMC	BSMI, CE, FCC, Class A		CE, FCC, Class A
	Safety	BSMI, CB, CCC, UL		CB, CCC, UL
	Front Panel Protection	IP65 compliant		

## Motherboard Specifications

### PPC-MB-8260AE (For PPC-6191C-RTAE only)

CPU	CPU	KBL	i7-7700	i5-7500	i3-7101E	/	/
		SKL	i7-6700TE	i5-6500TE	i3-6100TE	Pentium G4400TE	Celeron G3900TE
	Core NO.		Quad Core	Quad Core	Dual Core	Dual Core	Dual Core
	MAX Speed	KBL	3.6GHz (up to 4.2GHz)	3.4GHz (up to 3.8GHz)	3.9GHz	/	/
		SKL	2.4GHz (up to 3.4GHz)	2.3GHz (up to 3.3GHz)	2.7GHz	2.4GHz	2.3GHz
	L3 Cache	KBL	8M	6M	4M	/	/
SKL				3M	3M	2M	
TDP	KBL	65W	65W	54W	/	/	
	SKL	35W	35W	35W	35W	35W	
Chipset	H110						
Memory	1 x 260-pin SODIMM DDR4, 2133 MHz, up to 16 GB (non-ECC)						
Network (LAN)	2 x 10/100/1000 Mbps Ethernet and 2 x Intel® I211						
Rear I/O	1 x RS232/422/485, 1 x RS232, 1 x DP1.2, 1 x VGA, 4 x USB3.0, 1 x Line-out, 1 x Mic-in						
Internal Connector	3 x RS232, 1 x GPIO (8 channels), 1 x speaker, 1 x LED, 2 x USB 2.0, 1 x LVDS, 1 x touch control, 2 x SATA						
Watchdog Timer	255 timer intervals, configurable using software						
Expansion	1 x full-size mSATA or mini PCIe and 1 x PCIe x4 slot for riser card						
Dimensions (W x H)	170 x 170 mm (6.69 x 6.69")						
OS Support	Microsoft® Windows 7 (32/64-bit), Windows 8.1/10 (64-bit), Linux (**KBL CPU only support windows 10 64bit)						

## Ordering Information

M/B Part Number	Chassis Part Number	Cooler Part Number
PPC-MB-8260AE	PPC-6191C-RTAE	1960053207N001
PPC-MB-8260AU (for U.S. only)	PPC-6191C-RTAU (for U.S. only)	1960053207N001
AIMB-275	PPC-6191C-RMAE	1960053207N001
AIMB-226	PPC-6191C-RMAE	1960061914N001

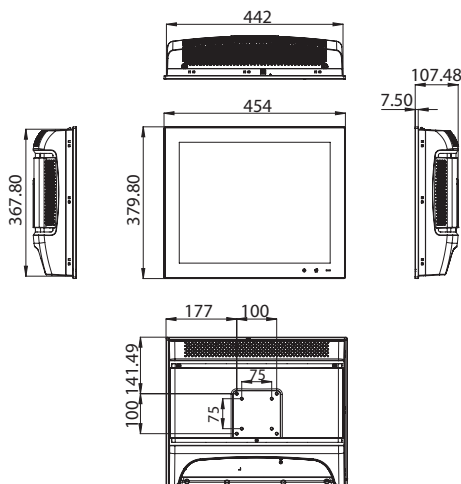
Note 1. The motherboard, chassis, and cooler should be ordered together to ensure easy configuration.  
 Note 2. The chassis is equipped with AC power supply and riser cards.

## Optional Accessories

Part Number	Description
PPC-WLAN-C1E	Wi-Fi module with antenna cable (40 cm) for PPC
1702002605	Power cable (EU) 90D 125V - 250V/6A, 1.8 M
1702002600	Power cable (US) 180D 125V/10A, 1.83 M
1702031801	Power cable (UK), 1.8 M
96CB-POWER-B-1.8MA	Power cable (China), 1.8 M
PPC-6191C-VESAE	VESA module for PPC-6191C (operating temperature 0 ~ 45 °C)
9893BE0200E	PPC-61X1C-RTAE riser card with 2 x PCIe x1 slots
9893BE03000	PPC-61X1C-RTAE riser card with 1 x PCIe x1 and 1 x PCI slots
PPC-ARM-A03	ARM VESA Standard (A-CLEVER) for PPC series (for VESA mount version only)
PPC-174T-WL-MTE	Wall mount kit for PPC series (for VESA mount version only)
PPC-Stand-A1E	Stand for PPC series (for VESA mount version only)
1700027838-01	Cable for two internal USB for PPC-MB-8260AE with I/O BKT

## Dimensions

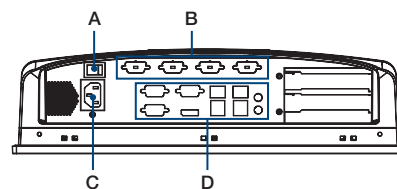
Unit: mm



Optional kit for VESA mounting using M4 8-mm screws  
 Panel Cutout Dimensions: 444 x 370 mm (17.48 x 14.56 in)

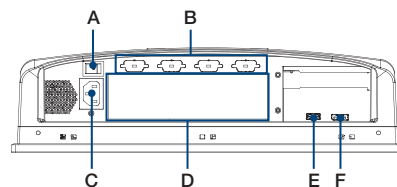
## I/O View

### PPC-6191C-RTAE



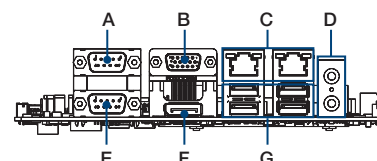
- A. Power switch
- B. Reserved ports
- C. AC inlet
- D. PPC-MB-8260AE I/O port

### PPC-6191C-RMAE



- A. Power switch
- B. Reserved ports
- C. AC inlet
- D. Mini-ITX motherboard I/O port
- E. USB 2.0 (input, for connecting the motherboard and touch controller)
- F. Display port (input, for connecting the motherboard and LVDS panel)

### PPC-MB-8260AE



- A. RS232
- B. VGA
- C. 2 x Gigabit Ethernet
- D. Line-out/Mic-in
- E. RS232/422/485
- F. Display Port
- G. USB 3.0