

# UNO-3083G/3085G UNO-3073G/3075G

Intel® Core i7/Celeron 800 series  
Automation Computers with 3/5 PCI(e)  
expansion slots, 2 mPCIe slots and  
2 CFAST sockets



## Features

- Onboard Intel Core i7-3555LE/Celeron 847E/807UE, 2.5GHz/1.1GHz/1.0GHz
- 2 x RS-232/422/485 ports with automatic flow control and 2 x RS-232 pin head reserved
- 2 x 10/100/1000BASE-T Ethernet
- DVI-I, HDMI support 2 x independent displays
- Audio with Mic in, Line out
- 9 x USB ports (4 x USB 3.0, 1 x internal USB for dongle and flash drive)
- Windows WES 2009, WES 7
- Dual power input for power redundancy
- Onboard system diagnosis LED indicators
- Supports wake on LAN
- Isolation between chassis and power ground
- Front accessible dual HDD/SSD with onboard RAID 0/1 support

## Introduction

The UNO-3083G/3085G/3073G/3075G/3073GL are configured with high-performance Intel® Core i7/Celeron 800 series processors and QM77/ QM67/ HM65 PCH, which supports two displays, eight USB ports, two Mini PCIe sockets, two CFAST Sockets and up to five expansion slots. They also feature two power inputs for redundancy and relay function for alarm handling, furthermore, two friendly front accessible HDD/ SSD bays to support RAID 0/1. Two Gigabit LANs support teaming function with fault tolerance, link aggregation and load balance features. The built-in intelligent BIOS to diagnose system status immediately via relay function or LED indication.

## Specifications

### General

- Certification** CE, UL, CCC, FCC, BSMI
- Dimensions (W x D x H)** UNO-3083G/3073G: 148 x 238 x 177 mm (5.8" x 9.3" x 7.0")  
UNO-3085G/3075G: 193 x 238 x 177 mm (7.6" x 9.3" x 7.0")
- Enclosure** Aluminium
- Mounting** Wallmount, Stand mount, Panel mount
- Power Consumption** UNO-3083G/3085G: 45W (Typical), 130W(Max)  
UNO-3073G/3075G: 35W (Typical), 122W(Max)
- Power Requirements** 12V ±20%/ 24V ±20% (e.g +24 V @ 5 A)
- Weight** UNO-3083G/3073G/3073GL: 4.5kg  
UNO-3085G/3075G: 5.0kg
- OS Support** Windows XP, Windows7/8, WES7, WES-2009
- System Design** Fanless with no internal cabling (except COM1/COM2)

### System Hardware

- CPU** UNO-3083G/3085G: Intel Core i7-3555LE 2.5GHz  
UNO-3073G/3075G: Intel Celeron 847E 1.1GHz
- Memory** Built-in 4GB DDR3 1600 MHz (UNO-3083G/3085G/3073G/3075G can support up to 16GB RAM by project)
- Indicators** LEDs for Power, Battery, LAN (Active, Status), Serial communication (Tx, Rx) and User Defined
- Storage** CF  
HDD 2 x CFAST sockets  
Two built-in 2.5" SATA HDD brackets with RAID 0/1 (except UNO-3073GL)
- Display** 1 x DVI-I, 1 x HDMI (2 x independent displays)
- Ethernet** LAN A: Intel 82579LM  
LAN B: Intel 82574L
- Audio** 1 x Mic in, 1 x Line Out
- Watchdog Timer** Programmable 255 levels timer interval, from 1 to 255 sec
- Mini PCIe Expansion** 2 x Mini PCIe slots with 2 x SIM card slots
- PCI (e) Expansion** UNO-3083G/3073G: 1 x PCIe16 slot and 2 x PCI slots  
UNO-3085G: 2 x PCIe8 slots and 3 x PCI slots  
UNO-3075G: 1 x PCIe16 slot and 4 x PCI slots
- PCI Slot Power** 12 V @ 3 A, -12 V @ 0.8 A, +5 V @ 6 A, +3.3 V @ 6 A (total combined power consumption on the PCI slots should be less than 40W)

### I/O Interface

- Serial Ports** 2 x RS-232/422/485 with DB9 connectors, automatic RS-485 auto flow control, 50-115.2kbps, 2 x RS-232 (optional)
- LAN** 2 x 10/100/1000BASE-T RJ-45 ports, wake on LAN in flash BIOS
- USB Ports** 9 x USB (one internal, and 4 x USB3.0 support on UNO-3083G-D64E/UNO-3085G-D64E)

### Environment

- Humidity** 95% @ 40°C (non-condensing)
- Operating Temperature** - 10 ~ 60°C (14 ~ 140°F) @ 5 ~ 85% RH with 0.7m/s airflow (Industry SSD)
- Shock Protection** IEC 60068-2-27  
CompactFlash: 50 G @ wall mount, half sine, 11 ms  
HDD: 20 G @ wall mount, half sine, 11 ms  
IEC 60068-2-64 (Random 1 Oct./min, 1hr/axis.)  
CompactFlash: 2 Grms @ 5 ~ 500 Hz,  
HDD: 0.5Grms@5-500Hz
- Vibration Protection**

## Ordering Information

- UNO-3083G-D64E** Intel Core i7-3555LE 2.5GHz, 4GB RAM, 1 x PCIe16 + 2 x PCI expansion slots
- UNO-3085G-D64E** Intel Core i7-3555LE 2.5GHz, 4GB RAM, 2 x PCIe8 + 3 x PCI expansion slots
- UNO-3073G-C54E** Intel Celeron 847E 1.1 GHz, 4 GB RAM, 1 x PCIe16 + 2 x PCI expansion slots
- UNO-3075G-C54E** Intel Celeron 847E 1.1GHz, 4GB RAM, 1 x PCIe16 + 4 x PCI expansion slots

## Accessories

- UNO-SM83-AE** Stand mount kit for UNO-3000G series
- UNO-PM83-AE** Panel mount/wall mount kit for UNO-3000G series
- UNO-3000EM-AE** Extra 2x RS-232 modules for UNO-3000G series
- 96PSA-A150W24T2** 150W AC to DC power adapter
- 98R3308301** 2 x RS232+1 x PS/2 PCI kit for UNO-3000G
- 98R3308302E** LPT port for UNO-3000G
- 1702002600** Power Cable US Plug 1.8 M
- 1702002605** Power Cable EU Plug 1.8 M
- 1702031801** Power Cable UK Plug 1.8 M
- 1700000596** Power Cable China/Australia Plug 1.8 M

## Embedded OS

- 2070012746** Image WES2009 MUI. v3.34 B001 for UNO-3073G/75G
- 2070014714** IMG WES2009 MUI v3.34B001 UNO-3083G/3085G-D64E
- 2070012529** Image WSP7 MUI. V4.12 B001 for UNO-3073G/3075G
- 2070012254** Image WSP7 MUI. for UNO-3083G/3085G
- 2070015260** Img WES7P x86 MUI v4.14 B004 UNO-308XG-D64E

### Optional expansion card by Project support

P/N	Expansion type	Support model
9893308500E	5-slot expansion board, 1xPCIe16 and 4xPCI slot	UNO-3085G
9893308510E	5-slot expansion board, 2xPCIe8 and 3xPCI slot	UNO-3075G
9893308360E	3-slot expansion board, 2xPCIe8 and 1xPCI slot	UNO-3083G/ UNO-3073G

# UNO-3083G/3085G UNO-3073G/3075G

Intel® Core i7/Celeron 800 series  
Automation Computers with 3/5 PCI(e)  
expansion slots, 2 mPCIe slots and  
2 CFAST sockets



## Features

- Onboard Intel Core i7-3555LE/Celeron 847E/807UE, 2.5GHz/1.1GHz/1.0GHz
- 2 x RS-232/422/485 ports with automatic flow control and 2 x RS-232 pin head reserved
- 2 x 10/100/1000BASE-T Ethernet
- DVI-I, HDMI support 2 x independent displays
- Audio with Mic in, Line out
- 9 x USB ports (4 x USB 3.0, 1 x internal USB for dongle and flash drive)
- Windows WES 2009, WES 7
- Dual power input for power redundancy
- Onboard system diagnosis LED indicators
- Supports wake on LAN
- Isolation between chassis and power ground
- Front accessible dual HDD/SSD with onboard RAID 0/1 support

## Introduction

The UNO-3083G/3085G/3073G/3075G/3073GL are configured with high-performance Intel® Core i7/Celeron 800 series processors and QM77/ QM67/ HM65 PCH, which supports two displays, eight USB ports, two Mini PCIe sockets, two CFAST Sockets and up to five expansion slots. They also feature two power inputs for redundancy and relay function for alarm handling, furthermore, two friendly front accessible HDD/ SSD bays to support RAID 0/1. Two Gigabit LANs support teaming function with fault tolerance, link aggregation and load balance features. The built-in intelligent BIOS to diagnose system status immediately via relay function or LED indication.

## Specifications

### General

- Certification** CE, UL, CCC, FCC, BSMI
- Dimensions (W x D x H)** UNO-3083G/3073G: 148 x 238 x 177 mm (5.8" x 9.3" x 7.0")  
UNO-3085G/3075G: 193 x 238 x 177 mm (7.6" x 9.3" x 7.0")
- Enclosure** Aluminium
- Mounting** Wallmount, Stand mount, Panel mount
- Power Consumption** UNO-3083G/3085G: 45W (Typical), 130W(Max)  
UNO-3073G/3075G: 35W (Typical), 122W(Max)
- Power Requirements** 12V ±20%/ 24V ±20% (e.g +24 V @ 5 A)
- Weight** UNO-3083G/3073G/3073GL: 4.5kg  
UNO-3085G/3075G: 5.0kg
- OS Support** Windows XP, Windows7/8, WES7, WES-2009
- System Design** Fanless with no internal cabling (except COM1/COM2)

### System Hardware

- CPU** UNO-3083G/3085G: Intel Core i7-3555LE 2.5GHz  
UNO-3073G/3075G: Intel Celeron 847E 1.1GHz
- Memory** Built-in 4GB DDR3 1600 MHz (UNO-3083G/3085G/3073G/3075G can support up to 16GB RAM by project)
- Indicators** LEDs for Power, Battery, LAN (Active, Status), Serial communication (Tx, Rx) and User Defined
- Storage** CF  
HDD 2 x CFAST slots  
Two built-in 2.5" SATA HDD brackets with RAID 0/1 (except UNO-3073GL)
- Display** 1 x DVI-I, 1 x HDMI (2 x independent displays)
- Ethernet** LAN A: Intel 82579LM  
LAN B: Intel 82574L
- Audio** 1 x Mic in, 1 x Line Out
- Watchdog Timer** Programmable 255 levels timer interval, from 1 to 255 sec
- Mini PCIe Expansion** 2 x Mini PCIe slots with 2 x SIM card slots
- PCI (e) Expansion** UNO-3083G/3073G: 1 x PCIe16 slot and 2 x PCI slots  
UNO-3085G: 2 x PCIe8 slots and 3 x PCI slots  
UNO-3075G: 1 x PCIe16 slot and 4 x PCI slots
- PCI Slot Power** 12 V @ 3 A, -12 V @ 0.8 A, +5 V @ 6 A, +3.3 V @ 6 A (total combined power consumption on the PCI slots should be less than 40W)

### I/O Interface

- Serial Ports** 2 x RS-232/422/485 with DB9 connectors, automatic RS-485 auto flow control, 50-115.2kbps, 2 x RS-232 (optional)
- LAN** 2 x 10/100/1000BASE-T RJ-45 ports, wake on LAN in flash BIOS
- USB Ports** 9 x USB (one internal, and 4 x USB3.0 support on UNO-3083G-D64E/UNO-3085G-D64E)

### Environment

- Humidity** 95% @ 40°C (non-condensing)
- Operating Temperature** - 10 ~ 60°C (14 ~ 140°F) @ 5 ~ 85% RH with 0.7m/s airflow (Industry SSD)
- Shock Protection** IEC 60068-2-27  
CompactFlash: 50 G @ wall mount, half sine, 11 ms  
HDD: 20 G @ wall mount, half sine, 11 ms  
IEC 60068-2-64 (Random 1 Oct./min, 1hr/axis.)  
CompactFlash: 2 Grms @ 5 ~ 500 Hz,  
HDD: 0.5Grms@5-500Hz
- Vibration Protection**

## Ordering Information

- UNO-3083G-D64E** Intel Core i7-3555LE 2.5GHz, 4GB RAM, 1 x PCIe16 + 2 x PCI expansion slots
- UNO-3085G-D64E** Intel Core i7-3555LE 2.5GHz, 4GB RAM, 2 x PCIe8 + 3 x PCI expansion slots
- UNO-3073G-C54E** Intel Celeron 847E 1.1 GHz, 4 GB RAM, 1 x PCIe16 + 2 x PCI expansion slots
- UNO-3075G-C54E** Intel Celeron 847E 1.1GHz, 4GB RAM, 1 x PCIe16 + 4 x PCI expansion slots

## Accessories

- UNO-SM83-AE** Stand mount kit for UNO-3000G series
- UNO-PM83-AE** Panel mount/wall mount kit for UNO-3000G series
- UNO-3000EM-AE** Extra 2x RS-232 modules for UNO-3000G series
- 96PSA-A150W24T2** 150W AC to DC power adapter
- 98R3308301** 2 x RS232+1 x PS/2 PCI kit for UNO-3000G
- 98R3308302E** LPT port for UNO-3000G
- 1702002600** Power Cable US Plug 1.8 M
- 1702002605** Power Cable EU Plug 1.8 M
- 1702031801** Power Cable UK Plug 1.8 M
- 1700000596** Power Cable China/Australia Plug 1.8 M

## Embedded OS

- 2070012746** Image WES2009 MUI. v3.34 B001 for UNO-3073G/75G
- 2070014714** IMG WES2009 MUI v3.34B001 UNO-3083G/3085G-D64E
- 2070012529** Image WSP7 MUI. V4.12 B001 for UNO-3073G/3075G
- 2070012254** Image WSP7 MUI. for UNO-3083G/3085G
- 2070015260** Img WES7P x86 MUI v4.14 B004 UNO-308XG-D64E

### Optional expansion card by Project support

P/N	Expansion type	Support model
9893308500E	5-slot expansion board, 1xPCIe16 and 4xPCI slot	UNO-3085G
9893308510E	5-slot expansion board, 2xPCIe8 and 3xPCI slot	UNO-3075G
9893308360E	3-slot expansion board, 2xPCIe8 and 1xPCI slot	UNO-3083G/ UNO-3073G

# UNO-3083G/3085G UNO-3073G/3075G

Intel® Core i7/Celeron 800 series  
Automation Computers with 3/5 PCI(e)  
expansion slots, 2 mPCIe slots and  
2 CFAST sockets



## Features

- Onboard Intel Core i7-3555LE/Celeron 847E/807UE, 2.5GHz/1.1GHz/1.0GHz
- 2 x RS-232/422/485 ports with automatic flow control and 2 x RS-232 pin head reserved
- 2 x 10/100/1000BASE-T Ethernet
- DVI-I, HDMI support 2 x independent displays
- Audio with Mic in, Line out
- 9 x USB ports (4 x USB 3.0, 1 x internal USB for dongle and flash drive)
- Windows WES 2009, WES 7
- Dual power input for power redundancy
- Onboard system diagnosis LED indicators
- Supports wake on LAN
- Isolation between chassis and power ground
- Front accessible dual HDD/SSD with onboard RAID 0/1 support

## Introduction

The UNO-3083G/3085G/3073G/3075G/3073GL are configured with high-performance Intel® Core i7/Celeron 800 series processors and QM77/ QM67/ HM65 PCH, which supports two displays, eight USB ports, two Mini PCIe sockets, two CFAST Sockets and up to five expansion slots. They also feature two power inputs for redundancy and relay function for alarm handling, furthermore, two friendly front accessible HDD/ SSD bays to support RAID 0/1. Two Gigabit LANs support teaming function with fault tolerance, link aggregation and load balance features. The built-in intelligent BIOS to diagnose system status immediately via relay function or LED indication.

## Specifications

### General

- Certification** CE, UL, CCC, FCC, BSMI
- Dimensions (W x D x H)** UNO-3083G/3073G: 148 x 238 x 177 mm (5.8" x 9.3" x 7.0")  
UNO-3085G/3075G: 193 x 238 x 177 mm (7.6" x 9.3" x 7.0")
- Enclosure** Aluminium
- Mounting** Wallmount, Stand mount, Panel mount
- Power Consumption** UNO-3083G/3085G: 45W (Typical), 130W(Max)  
UNO-3073G/3075G: 35W (Typical), 122W(Max)
- Power Requirements** 12V ±20%/ 24V ±20% (e.g +24 V @ 5 A)
- Weight** UNO-3083G/3073G/3073GL: 4.5kg  
UNO-3085G/3075G: 5.0kg
- OS Support** Windows XP, Windows7/8, WES7, WES-2009
- System Design** Fanless with no internal cabling (except COM1/COM2)

### System Hardware

- CPU** UNO-3083G/3085G: Intel Core i7-3555LE 2.5GHz  
UNO-3073G/3075G: Intel Celeron 847E 1.1GHz
- Memory** Built-in 4GB DDR3 1600 MHz (UNO-3083G/3085G/3073G/3075G can support up to 16GB RAM by project)
- Indicators** LEDs for Power, Battery, LAN (Active, Status), Serial communication (Tx, Rx) and User Defined
- Storage** CF  
HDD 2 x CFAST sockets  
Two built-in 2.5" SATA HDD brackets with RAID 0/1 (except UNO-3073GL)
- Display** 1 x DVI-I, 1 x HDMI (2 x independent displays)
- Ethernet** LAN A: Intel 82579LM  
LAN B: Intel 82574L
- Audio** 1 x Mic in, 1 x Line Out
- Watchdog Timer** Programmable 255 levels timer interval, from 1 to 255 sec
- Mini PCIe Expansion** 2 x Mini PCIe slots with 2 x SIM card slots
- PCI (e) Expansion** UNO-3083G/3073G: 1 x PCIe16 slot and 2 x PCI slots  
UNO-3085G: 2 x PCIe8 slots and 3 x PCI slots  
UNO-3075G: 1 x PCIe16 slot and 4 x PCI slots
- PCI Slot Power** 12 V @ 3 A, -12 V @ 0.8 A, +5 V @ 6 A, +3.3 V @ 6 A (total combined power consumption on the PCI slots should be less than 40W)

### I/O Interface

- Serial Ports** 2 x RS-232/422/485 with DB9 connectors, automatic RS-485 auto flow control, 50-115.2kbps, 2 x RS-232 (optional)
- LAN** 2 x 10/100/1000BASE-T RJ-45 ports, wake on LAN in flash BIOS
- USB Ports** 9 x USB (one internal, and 4 x USB3.0 support on UNO-3083G-D64E/UNO-3085G-D64E)

### Environment

- Humidity** 95% @ 40°C (non-condensing)
- Operating Temperature** - 10 ~ 60°C (14 ~ 140°F) @ 5 ~ 85% RH with 0.7m/s airflow (Industry SSD)
- Shock Protection** IEC 60068-2-27  
CompactFlash: 50 G @ wall mount, half sine, 11 ms  
HDD: 20 G @ wall mount, half sine, 11 ms  
IEC 60068-2-64 (Random 1 Oct./min, 1hr/axis.)  
CompactFlash: 2 Grms @ 5 ~ 500 Hz,  
HDD: 0.5Grms@5-500Hz
- Vibration Protection**

## Ordering Information

- UNO-3083G-D64E** Intel Core i7-3555LE 2.5GHz, 4GB RAM, 1 x PCIe16 + 2 x PCI expansion slots
- UNO-3085G-D64E** Intel Core i7-3555LE 2.5GHz, 4GB RAM, 2 x PCIe8 + 3 x PCI expansion slots
- UNO-3073G-C54E** Intel Celeron 847E 1.1 GHz, 4 GB RAM, 1 x PCIe16 + 2 x PCI expansion slots
- UNO-3075G-C54E** Intel Celeron 847E 1.1GHz, 4GB RAM, 1 x PCIe16 + 4 x PCI expansion slots

## Accessories

- UNO-SM83-AE** Stand mount kit for UNO-3000G series
- UNO-PM83-AE** Panel mount/wall mount kit for UNO-3000G series
- UNO-3000EM-AE** Extra 2x RS-232 modules for UNO-3000G series
- 96PSA-A150W24T2** 150W AC to DC power adapter
- 98R3308301** 2 x RS232+1 x PS/2 PCI kit for UNO-3000G
- 98R3308302E** LPT port for UNO-3000G
- 1702002600** Power Cable US Plug 1.8 M
- 1702002605** Power Cable EU Plug 1.8 M
- 1702031801** Power Cable UK Plug 1.8 M
- 1700000596** Power Cable China/Australia Plug 1.8 M

## Embedded OS

- 2070012746** Image WES2009 MUI. v3.34 B001 for UNO-3073G/75G
- 2070014714** IMG WES2009 MUI v3.34B001 UNO-3083G/3085G-D64E
- 2070012529** Image WSP7 MUI. V4.12 B001 for UNO-3073G/3075G
- 2070012254** Image WSP7 MUI. for UNO-3083G/3085G
- 2070015260** Img WES7P x86 MUI v4.14 B004 UNO-308XG-D64E

### Optional expansion card by Project support

P/N	Expansion type	Support model
9893308500E	5-slot expansion board, 1xPCIe16 and 4xPCI slot	UNO-3085G
9893308510E	5-slot expansion board, 2xPCIe8 and 3xPCI slot	UNO-3075G
9893308360E	3-slot expansion board, 2xPCIe8 and 1xPCI slot	UNO-3083G/ UNO-3073G

# UNO-3083G/3085G UNO-3073G/3075G

Intel® Core i7/Celeron 800 series  
Automation Computers with 3/5 PCI(e)  
expansion slots, 2 mPCIe slots and  
2 CFAST sockets



## Features

- Onboard Intel Core i7-3555LE/Celeron 847E/807UE, 2.5GHz/1.1GHz/1.0GHz
- 2 x RS-232/422/485 ports with automatic flow control and 2 x RS-232 pin head reserved
- 2 x 10/100/1000BASE-T Ethernet
- DVI-I, HDMI support 2 x independent displays
- Audio with Mic in, Line out
- 9 x USB ports (4 x USB 3.0, 1 x internal USB for dongle and flash drive)
- Windows WES 2009, WES 7
- Dual power input for power redundancy
- Onboard system diagnosis LED indicators
- Supports wake on LAN
- Isolation between chassis and power ground
- Front accessible dual HDD/SSD with onboard RAID 0/1 support

## Introduction

The UNO-3083G/3085G/3073G/3075G/3073GL are configured with high-performance Intel® Core i7/Celeron 800 series processors and QM77/ QM67/ HM65 PCH, which supports two displays, eight USB ports, two Mini PCIe sockets, two CFAST Sockets and up to five expansion slots. They also feature two power inputs for redundancy and relay function for alarm handling, furthermore, two friendly front accessible HDD/ SSD bays to support RAID 0/1. Two Gigabit LANs support teaming function with fault tolerance, link aggregation and load balance features. The built-in intelligent BIOS to diagnose system status immediately via relay function or LED indication.

## Specifications

### General

- Certification** CE, UL, CCC, FCC, BSMI
- Dimensions (W x D x H)** UNO-3083G/3073G: 148 x 238 x 177 mm (5.8" x 9.3" x 7.0")  
UNO-3085G/3075G: 193 x 238 x 177 mm (7.6" x 9.3" x 7.0")
- Enclosure** Aluminium
- Mounting** Wallmount, Stand mount, Panel mount
- Power Consumption** UNO-3083G/3085G: 45W (Typical), 130W(Max)  
UNO-3073G/3075G: 35W (Typical), 122W(Max)
- Power Requirements** 12V ±20%/ 24V ±20% (e.g. +24 V @ 5 A)
- Weight** UNO-3083G/3073G/3073GL: 4.5kg  
UNO-3085G/3075G: 5.0kg
- OS Support** Windows XP, Windows7/8, WES7, WES-2009
- System Design** Fanless with no internal cabling (except COM1/COM2)

### System Hardware

- CPU** UNO-3083G/3085G: Intel Core i7-3555LE 2.5GHz  
UNO-3073G/3075G: Intel Celeron 847E 1.1GHz
- Memory** Built-in 4GB DDR3 1600 MHz (UNO-3083G/3085G/3073G/3075G can support up to 16GB RAM by project)
- Indicators** LEDs for Power, Battery, LAN (Active, Status), Serial communication (Tx, Rx) and User Defined
- Storage** CF  
HDD 2 x CFAST sockets  
Two built-in 2.5" SATA HDD brackets with RAID 0/1 (except UNO-3073GL)
- Display** 1 x DVI-I, 1 x HDMI (2 x independent displays)
- Ethernet** LAN A: Intel 82579LM  
LAN B: Intel 82574L
- Audio** 1 x Mic in, 1 x Line Out
- Watchdog Timer** Programmable 255 levels timer interval, from 1 to 255 sec
- Mini PCIe Expansion** 2 x Mini PCIe slots with 2 x SIM card slots
- PCI (e) Expansion** UNO-3083G/3073G: 1 x PCIe16 slot and 2 x PCI slots  
UNO-3085G: 2 x PCIe8 slots and 3 x PCI slots  
UNO-3075G: 1 x PCIe16 slot and 4 x PCI slots
- PCI Slot Power** 12 V @ 3 A, -12 V @ 0.8 A, +5 V @ 6 A, +3.3 V @ 6 A (total combined power consumption on the PCI slots should be less than 40W)

### I/O Interface

- Serial Ports** 2 x RS-232/422/485 with DB9 connectors, automatic RS-485 auto flow control, 50-115.2kbps, 2 x RS-232 (optional)
- LAN** 2 x 10/100/1000BASE-T RJ-45 ports, wake on LAN in flash BIOS
- USB Ports** 9 x USB (one internal, and 4 x USB3.0 support on UNO-3083G-D64E/UNO-3085G-D64E)

### Environment

- Humidity** 95% @ 40°C (non-condensing)
- Operating Temperature** - 10 ~ 60°C (14 ~ 140°F) @ 5 ~ 85% RH with 0.7m/s airflow (Industry SSD)
- Shock Protection** IEC 60068-2-27  
CompactFlash: 50 G @ wall mount, half sine, 11 ms  
HDD: 20 G @ wall mount, half sine, 11 ms  
IEC 60068-2-64 (Random 1 Oct./min, 1hr/axis.)  
CompactFlash: 2 Grms @ 5 ~ 500 Hz,  
HDD: 0.5Grms@5-500Hz
- Vibration Protection**

## Ordering Information

- UNO-3083G-D64E** Intel Core i7-3555LE 2.5GHz, 4GB RAM, 1 x PCIe16 + 2 x PCI expansion slots
- UNO-3085G-D64E** Intel Core i7-3555LE 2.5GHz, 4GB RAM, 2 x PCIe8 + 3 x PCI expansion slots
- UNO-3073G-C54E** Intel Celeron 847E 1.1 GHz, 4 GB RAM, 1 x PCIe16 + 2 x PCI expansion slots
- UNO-3075G-C54E** Intel Celeron 847E 1.1GHz, 4GB RAM, 1 x PCIe16 + 4 x PCI expansion slots

## Accessories

- UNO-SM83-AE** Stand mount kit for UNO-3000G series
- UNO-PM83-AE** Panel mount/wall mount kit for UNO-3000G series
- UNO-3000EM-AE** Extra 2x RS-232 modules for UNO-3000G series
- 96PSA-A150W24T2** 150W AC to DC power adapter
- 98R3308301** 2 x RS232+1 x PS/2 PCI kit for UNO-3000G
- 98R3308302E** LPT port for UNO-3000G
- 1702002600** Power Cable US Plug 1.8 M
- 1702002605** Power Cable EU Plug 1.8 M
- 1702031801** Power Cable UK Plug 1.8 M
- 1700000596** Power Cable China/Australia Plug 1.8 M

## Embedded OS

- 2070012746** Image WES2009 MUI. v3.34 B001 for UNO-3073G/75G
- 2070014714** IMG WES2009 MUI v3.34B001 UNO-3083G/3085G-D64E
- 2070012529** Image WSP7 MUI. V4.12 B001 for UNO-3073G/3075G
- 2070012254** Image WSP7 MUI. for UNO-3083G/3085G
- 2070015260** Img WES7P x86 MUI v4.14 B004 UNO-308XG-D64E

### Optional expansion card by Project support

P/N	Expansion type	Support model
9893308500E	5-slot expansion board, 1xPCIe16 and 4xPCI slot	UNO-3085G
9893308510E	5-slot expansion board, 2xPCIe8 and 3xPCI slot	UNO-3075G
9893308360E	3-slot expansion board, 2xPCIe8 and 1xPCI slot	UNO-3083G/ UNO-3073G

# UNO-3272G

Intel® Celeron J1900 Automation Computer with 2 PCI(e) Expansion Slots, 2 x GbE, 1 x mPCIe, HDMI, VGA

NEW



## Features

- Intel® Celeron® J1900 2.0GHz processor with 4GB DDR3L memory
- 3 x USB2.0, 1 x USB3.0, 2 x RS232/422/485, 2 x RS232
- 2 x 10/100/1000BASE-T Ethernet
- VGA, HDMI support 2 x independent displays
- Optional Digital I/O support for sensing and controlling
- Dedicated TPM2.0 microcontroller designed for hardware security
- Flexible system I/O expansion by iDOOR technology
- Support diverse fieldbus protocol by iDOOR technology
- Dual Power input for power redundancy



## Introduction

The expandable fanless control cabinet PC UNO-3272G equipped with a Intel® Celeron J1900 processor, rich I/O including 4 x USB, 2 x GigaLAN, 2 x RS-232/422/485, and 2 x RS-232 ports, as well as VGA and HDMI display interfaces, UNO-3272G is designed to deliver high reliability and maximum flexibility for industrial automation applications. The provision of up to 2 expansion slots (2 x PCIe1 or 2 x PCI) supports the integration of modular peripherals and ensures flexible installation in diverse cabinet configurations.

## Specifications

### General

- Certification** CE, UL, CCC, FCC, BSMI
- Dimensions (W x D x H)** 145 x 177 x 238 mm (standard Rack 4U)
- Form Factor** Regular Size
- Mounting** Wall mount, Stand mount
- Weight (Net)** 2.9kg
- Power Requirements** 10-36 V<sub>DC</sub>
- Power Consumption** 24W (Typical, w/o expansion card), 60W (Max)
- OS Support** WIN7/8, WES7, Win10 Ent. LTSB, AdvLinuxTU

### System Hardware

- BIOS** AMI UEFI 128Mbit Flash BIOS
- Watchdog Timer** Programmable 255 levels timer interval, from 1 to 255 sec
- Processor** Intel Celeron J1900 2.0GHz Quad core
- System Chip** Integrated Intel SoC Chipset
- Memory** Built-in 4GB DDR3L 1333 MHz, two sockets support up to 8GB
- Graphics Engine** Intel HD Graphics
- Ethernet** LAN A: Intel® i211-AT GbE, IIEEE802.1AS, 802.3az  
LAN B: Intel® i211-AT GbE, IIEEE802.1AS, 802.3az  
(2 x RJ45, 10/100/1000 Mbps IEEE 802.3 1000Base-T Fast Ethernet)
- LED Indicators** LEDs for Power and HDD
- Storage** 1 x M.2 B-key (22x42) up to 512GB  
1 x built-in 2.5" SATA HDD/SSD brackets  
1 x Full-size mPCIe
- Expansion** 2 x PCIe1 (Optional 2 x PCI by project support)

### I/O Interfaces

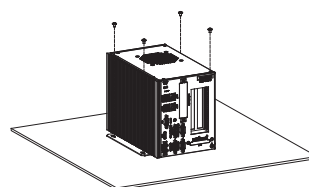
- Serial Ports** 2 x RS-232/422/485 with DB9 connectors, 115200bps  
2 x RS-232 with DB9 connectors, 115200bps
- LAN Ports** 2 x RJ45, 10/100/1000 Mbps IEEE 802.3 1000Base-T Fast Ethernet
- USB Ports** 1 x USB3.0, 3 x USB2.0
- Displays** 1 x VGA, supports 1920 x 1080 @ 60Hz 24bpp  
1 x HDMI, supports 1920 x 1080 @ 60Hz 24bpp  
Line-Out
- Audio** Line-Out
- Power Connector** 1 x 4 Pin, terminal Block

### Environment

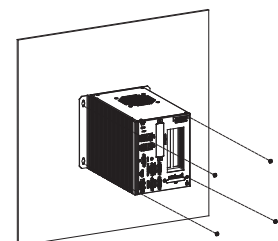
- Operating Temperature** -20 ~ 60°C (-4 ~ 140°F) with 0.7m/s airflow environment
- Storage Temperature** -40 ~ 85°C (-40 ~ 185°F)
- Relative Humidity** 10 ~ 95% RH, non-condensing
- Shock Protection** Operating, IEC 60068-2-27, 50G, half sine, 11ms (SSD)
- Vibration Protection** Operating, IEC 60068-2-64, 3Grms, random, 5 ~ 500Hz, 1hr/axis (SSD); 0.5Grms, random, 5 ~ 500Hz, 1hr/axis (HDD)

## Installation Scenario

### Stand mount



### Wall mount

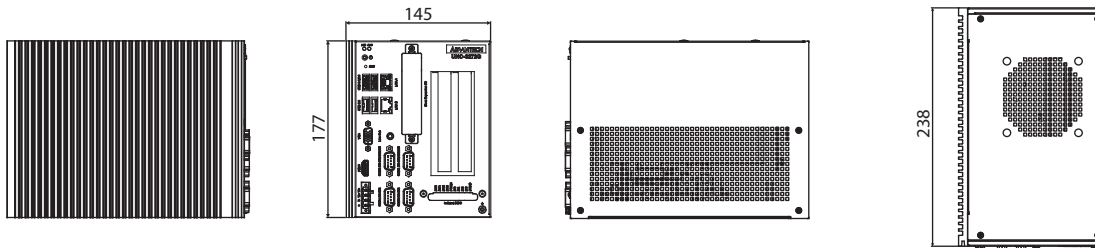


\*Mounting kit included in default package

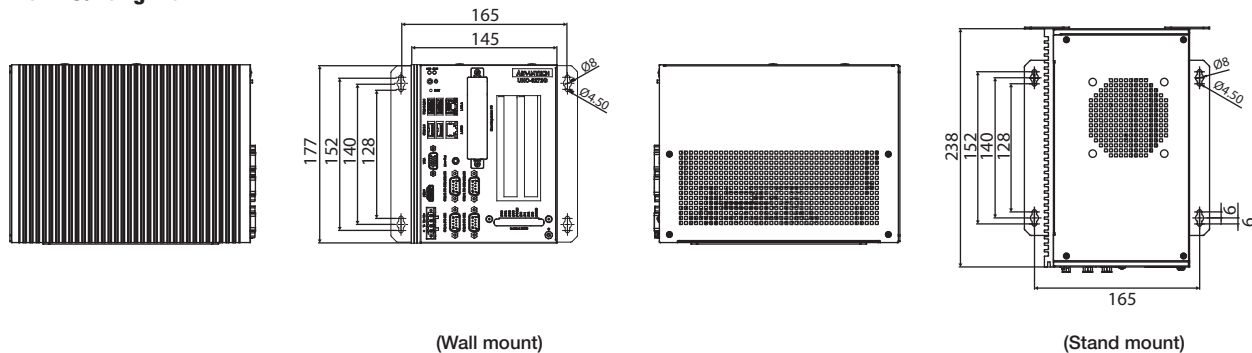
## Dimensions

Unit: mm

### Without mounting kit



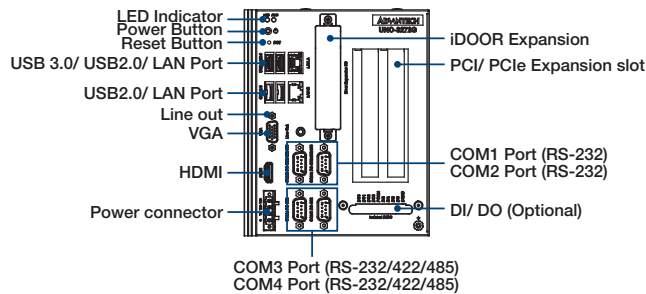
### With mounting kit



(Wall mount)

(Stand mount)

## I/O View



## iDoor Modules

- **PCM-2300MR-AE** MR4A16B, MRAM, 2 MByte, mPCIe
- **PCM-24R2PE-AE** Intel i350, GbE, PoE IEEE 802.3af, PD, RJ45 x 2
- **PCM-24S2WF-BE** 802.11 a/b/g/n/ac 2T2R w/BT4.1, Atheros QCA6174A
- **PCM-26D2CA-AE** SJA1000 CANbus, CANopen, DB9 x 1
- **PCM-24D2R4-BE** 2-Ports Isolated RS-422/485 mPCIe, DB9
- **PCM-24D2R2-BE** 2-Ports Isolated RS-232 mPCIe, DB9
- **PCM-24D4R4-BE** 4-Ports Non-Isolated RS-422/485 mPCIe, DB37
- **PCM-24D4R2-BE** 4-Ports Non-Isolated RS-232 mPCIe, DB37
- **PCM-27D24DI-AE** 24-Channels Isolated Digital I/O with counter mPCIe, DB37
- **PCM-24R1TP-AE** 1-Port Gigabit Ethernet, Intel® 82574L, mPCIe, RJ45

## Ordering Information

- **UNO-3272G-J021AE** Intel J1900, 2GHz, 4GB DDR3L, 2 x LAN, 4 x COM, 4 x USB, 2 x PCIe1

## Optional Expansion Type

P/N	Support Model	Expansion Type
9893UR01000	UNO-3272G	2 x PCI slot

## Optional Accessories

- **9893U20600E** Digital 4DI/4DO board
- **96PSA-A150W24T2** 150W AC to DC power adapter
- **1702002600** Power Cable US Plug 1.8 M
- **1702002605** Power Cable EU Plug 1.8 M
- **1702031801** Power Cable UK Plug 1.8 M
- **1700000596** Power Cable China/Australia Plug 1.8 M

## Embedded O/S

- **20703WX9ES0007** Img Win10 LTSC 2019 x64 V6.04 B026

# UNO-3283G / 3285G

## Intel® Core™ i7/ i5/ i3 Automation Computer with 2/4 PCI(e) Expansion Slots, 2 x GbE, 2 x mPCIe, HDMI, DVI-I

**NEW**



UNO-3283G

UNO-3285G



### Features

- Intel® 6th Gen Core™ i7-6822EQ/ i5-6442EQ/ i5-6440EQ/ i3-6102E Processors with 8GB DDR4 memory
- 2 x GbE, 6 x USB 3.0, 2 x RS-232/422/485, 2 x RS-232 (pin header), 1 x DVI-I, 1 x HDMI
- UNO-3283G: 1 x PCIe x16, 1x PCI, 2 x mPCIe (2 x full), 1x CFast slot, 1 x mSATA slot (optional)
- UNO-3285G: 2 x PCIe x8, 2 x PCI, 2 x mPCIe (2 x full), 1x CFast, slot, 1 x mSATA slot (optional)
- Dual Hot-Swappable storage with thumb screw support for RAID 0/1
- Supports Fieldbus protocol by iDoor technology
- Dual power input for power redundancy
- Optional ECC RAM with selected RAM module
- Front LED indicator design for monitoring system status

### Introduction

The high-performance fanless control cabinet PC UNO-3283G/ 3285G equipped with a Intel® 6th Gen Core™ i7/ i5/ i3 processor and QM170 PCH chipset, rich I/O including 6 x USB 3.0, 2 x GigaLAN, 2 x RS-232/422/485, and 2 x RS-232 (pin header) ports, as well as DVI-I and HDMI display interfaces, UNO-3283G/ 3285G is designed to deliver high-performance computing and maximum flexibility for industrial automation applications. The provision of two hot-swappable HDD/SSD bays and up to 5 expansion slots (2 x PCIe x8, 2 x PCI) supports the integration of modular peripherals and ensures flexible installation in diverse cabinet configurations. In addition to an exchangeable RTC battery that can be accessed via the removable top cover for convenient maintenance, the system features dual power inputs that ensure a stable power supply.

### Specifications

#### General

- Certification** CE, UL, CCC, FCC, BSMI
- Dimensions (W x D x H)** UNO-3283G: 142 x 238 x 177 mm (5.6" x 9.4" x 7")  
UNO-3285G: 182 x 238 x 177 mm (7.2" x 9.4" x 7")
- Form Factor** Regular Size
- Mounting** Wall mount, Stand mount, Enclosure mount
- Weight (Net)** 4kg (2.2 lbs)/ 4.5kg (9.9 lbs)
- Power Requirements** 10-36 V<sub>DC</sub>
- Power Consumption** 90W (Typical @ 24V); 133W (Max. @ 24V)
- OS Support** WIN7/8, WES7, Win10 Ent. LTSB, AdvLinuxTU

#### System Hardware

- BIOS** AMI UEFI 128Mbit Flash BIOS
- Watchdog Timer** Programmable 255 levels timer interval, from 1 to 255 sec
- Processor** Intel® Core™ i7-6822EQ 2.0GHz Quad Core, 8MB L2  
Intel® Core™ i5-6442EQ 1.9GHz Quad Core, 6MB L2  
Intel® Core™ i5-6440EQ 2.7GHz Quad Core, 6MB L2  
Intel® Core™ i3-6102E 1.9GHz Dual Core, 3MB L2
- System Chip** Intel QM170
- Memory** Built-in 8GB DDR4 2133 MHz, two sockets support up to 32GB (Optional ECC RAM with selected RAM module for UNO-3283G-634AE/ UNO-3285G-634AE)
- Graphics Engine** Intel HD Graphics
- Ethernet** LAN A: Intel® i210-IT GbE, IIEEE802.1AS, 802.3az  
LAN B: Intel® i219-LM GbE, Intel® AMT, IEEE802.1AS, 802.3az LEDs for Power, LAN, COM (Tx/Rx), battery and HDD
- LED Indicators** One mSATA slot; One CFast slot
- Storage** Two built-in 2.5" SATA HDD brackets with support for RAID 0/1. (Compatible with 9.5mm height HDD)
- Expansion** UNO-3283G: 2 Full-size mPCIe, 1 x PCIe x16, 1 x PCI (Optional by project: 2 x PCIe x8 or 2 x PCI)  
UNO-3285G: 2 Full-size mPCIe 2 x PCIe x8, 2 x PCI (Optional by project: 4 x PCI)

#### I/O Interfaces

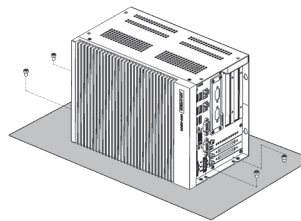
- Serial Ports** 2 x RS-232/422/485 with DB9 connectors  
RS-485 auto flow control, 50-115.2kbps, 2 x RS-232 (optional pin header)
- LAN Ports** 2 x RJ45, 10/100/1000 Mbps IEEE 802.3u 1000BASE-T Fast Ethernet
- USB Ports** 6 x USB 3.0 Ports
- Displays** 1 x DVI-I, supports 1920 x 1080 @ 60Hz 24bpp  
1 x HDMI 1.4a, supports 1920 x 1080 @ 60Hz 24bpp
- Audio** Mic-in, Line-In, Line-Out (Pin Header)
- Power Connector** 2 x 3 Pin, terminal Block to support dual power input and relay output

#### Environment

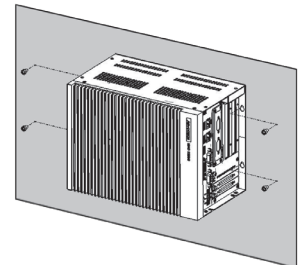
- Operating Temperature** -20 ~ 60°C (-4 ~ 140°F) with 0.7m/s airflow environment  
0-50°C (32 ~ 122°F) for UNO-3283G-6541AE
- Storage Temperature** -40 ~ 85°C (-40 ~ 185°F)
- Relative Humidity** 10 ~ 95% RH, non-condensing
- Shock Protection** Operating, IEC 60068-2-27, 50G, half sine, 11ms (SSD)
- Vibration Protection** Operating, IEC 60068-2-64, 4Grms, random, 5 ~ 500Hz, 1hr/axis (SSD); 1.5Grms, random, 5 ~ 500Hz, 1hr/axis (HDD)

### Installation Scenario

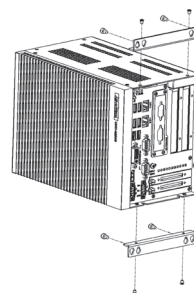
#### Stand mount



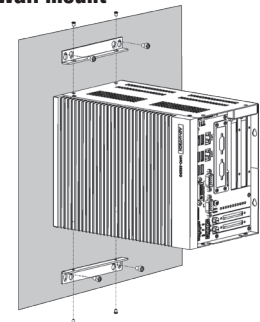
#### Wall mount



#### Enclosure Mount



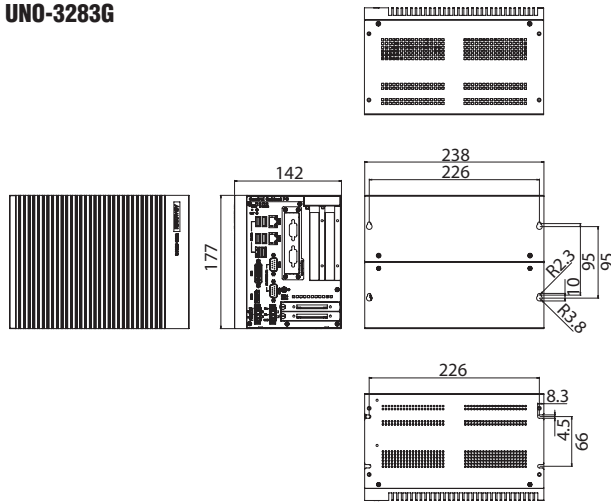
#### Wall mount



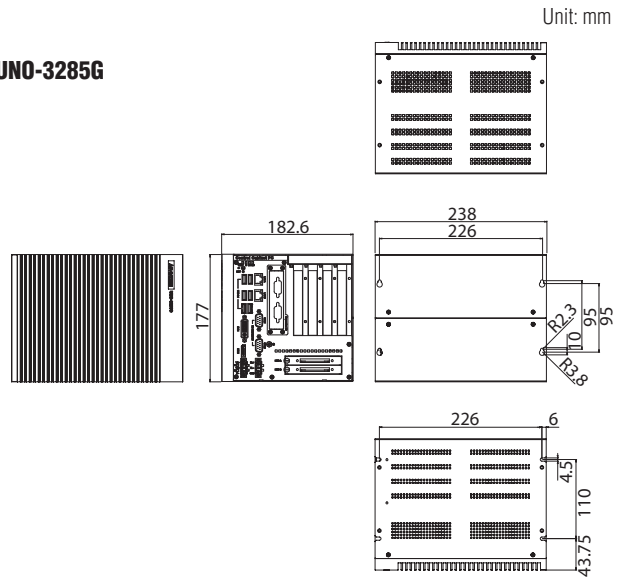
\*Mounting kit included in default package

**Dimensions**

**UNO-3283G**

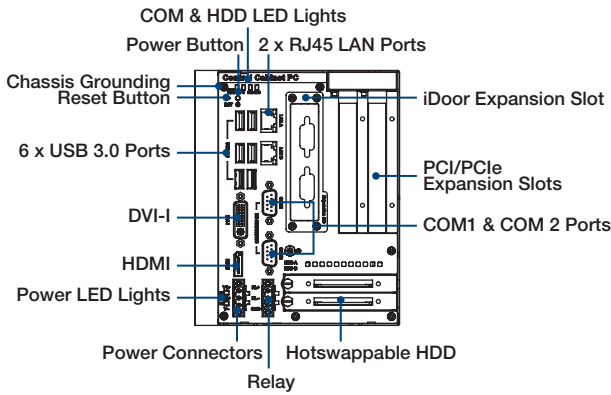


**UNO-3285G**



Unit: mm

**I/O View**



**Ordering Information**

- **UNO-3283G-674AE** Intel Core™ i7-6822EQ 2.0GHz, 8GB, 2 x LAN, 1 x PCIe x16, 1 x PCI, 2 x Full-size mPCIe
- **UNO-3283G-654AE** Intel Core™ i5-6442EQ 1.9GHz, 8GB, 2 x LAN, 1 x PCIe x16, 1 x PCI, 2 x Full-size mPCIe
- **UNO-3283G-6541AE** UNO-3283G w/ i5-6440EQ, 1 x PCI, 1 x PCIe x16
- **UNO-3283G-634AE** Intel Core™ i3-6102E 1.9GHz, 8GB, 2 x LAN, 1 x PCIe x16, 1 x PCI, 2 x Full-size mPCIe
- **UNO-3285G-674AE** Intel Core™ i7-6822EQ 2.0GHz, 8GB, 2 x LAN, 2 x PCIe x8, 2 x PCI, 2 x Full-size mPCIe
- **UNO-3285G-654AE** Intel Core™ i5-6442EQ 1.9GHz, 8GB, 2 x LAN, 2 x PCIe x8, 2 x PCI, 2 x Full-size mPCIe
- **UNO-3285G-634AE** Intel Core™ i3-6102E 1.9GHz, 8GB, 2 x LAN, 2 x PCIe x8, 2 x PCI, 2 x Full-size mPCIe

**Optional Expansion Type**

P/N	Support Model	Expansion Type
9893U20500E	UNO-3285G	4 x PCI slot
9893U20700E	UNO-3283G	2 x PCI slot
9893U20800E	UNO-3283G	2 x PCIe x8 slot

\* By project support

**iDoor Modules**

- **PCM-2300MR-AE** MR4A16B, MRAM, 2 MByte, mPCIe
- **PCM-24R2PE-AE** Intel i350, GbE, PoE IEEE 802.3af, PD, RJ45 x 2
- **PCM-24S2WF-BE** 802.11 a/b/g/n/ac 2T2R w/BT4.1, Atheros QCA6174A
- **PCM-26D2CA-AE** SJA1000 CANbus, CANopen, DB9 x 1
- **PCM-24D2R4-BE** 2-Ports Isolated RS-422/485 mPCIe, DB9
- **PCM-24D2R2-BE** 2-Ports Isolated RS-232 mPCIe, DB9
- **PCM-24D4R4-BE** 4-Ports Non-Isolated RS-422/485 mPCIe, DB37
- **PCM-24D4R2-BE** 4-Ports Non-Isolated RS-232 mPCIe, DB37
- **PCM-27D24DI-AE** 24-Channels Isolated Digital I/O with counter mPCIe, DB37
- **PCM-24R1TP-AE** 1-Port Gigabit Ethernet, Intel® 82574L, mPCIe, RJ45

**Optional Accessories**

- **96PSA-A150W24T2** 150W AC to DC power adapter
- **1702002600** Power Cable US Plug 1.8 M
- **1702002605** Power Cable EU Plug 1.8 M
- **1702031801** Power Cable UK Plug 1.8 M
- **1700000596** Power Cable China/Australia Plug 1.8 M
- **UNO-3283EM-AE** Extra 2 x COM ports extension kit
- **UNO-3283PR-AE** Remote Power & Reset extension kit
- **1700004713** DVI-I to DVI-D & VGA Cable
- **1700029839-01** 4-pin to 4-pin power cable for PCI/PCIe card. (5V&12V)
- **1700024858-01** 2x2 pin to 2x2 pin power cable for PCI/PCIe card. (12V&12V)
- **9893UH04000** Trusted Platform Module 2.0 (support from BIOS v1.17)

**Embedded O/S**

- **2070015316** Img WIN10ENT 2016LTSB V6.01B056 UNO-328xG (i7)
- **2070015317** Img WIN10ENT 2016LTSB V6.01B056 UNO-328xG (i5/i3)
- **20703WX9HS0002** Img W10 LTSC 2019 x64 V6.04 B021 UNO-328xG (i7)
- **20703WX9VS0002** Img W10 LTSC 2019 x64 V6.04 B021 UNO-328xG (i3/i5)
- **20703LLU1S0003** Image AdvLinuxTu V1.0.5 x86 for UNO-328xG
- **20703LLU1S0004** Image AdvLinuxTu V1.0.5 x64 for UNO-328xG
- **20703WE7PS0024** Image WS7P x86 MUI V4.19 B009 for UNO-328xG



# UNO-3283G / 3285G

## Intel® Core™ i7/ i5/ i3 Automation Computer with 2/4 PCI(e) Expansion Slots, 2 x GbE, 2 x mPCIe, HDMI, DVI-I

**NEW**



UNO-3283G

UNO-3285G



### Features

- Intel® 6th Gen Core™ i7-6822EQ/ i5-6442EQ/ i5-6440EQ/ i3-6102E Processors with 8GB DDR4 memory
- 2 x GbE, 6 x USB 3.0, 2 x RS-232/422/485, 2 x RS-232 (pin header), 1 x DVI-I, 1 x HDMI
- UNO-3283G: 1 x PCIe x16, 1x PCI, 2 x mPCIe (2 x full), 1x CFast slot, 1 x mSATA slot (optional)
- UNO-3285G: 2 x PCIe x8, 2 x PCI, 2 x mPCIe (2 x full), 1x CFast, slot, 1 x mSATA slot (optional)
- Dual Hot-Swappable storage with thumb screw support for RAID 0/1
- Supports Fieldbus protocol by iDoor technology
- Dual power input for power redundancy
- Optional ECC RAM with selected RAM module
- Front LED indicator design for monitoring system status

### Introduction

The high-performance fanless control cabinet PC UNO-3283G/ 3285G equipped with a Intel® 6th Gen Core™ i7/ i5/ i3 processor and QM170 PCH chipset, rich I/O including 6 x USB 3.0, 2 x GigaLAN, 2 x RS-232/422/485, and 2 x RS-232 (pin header) ports, as well as DVI-I and HDMI display interfaces, UNO-3283G/ 3285G is designed to deliver high-performance computing and maximum flexibility for industrial automation applications. The provision of two hot-swappable HDD/SSD bays and up to 5 expansion slots (2 x PCIe x8, 2 x PCI) supports the integration of modular peripherals and ensures flexible installation in diverse cabinet configurations. In addition to an exchangeable RTC battery that can be accessed via the removable top cover for convenient maintenance, the system features dual power inputs that ensure a stable power supply.

### Specifications

#### General

- Certification** CE, UL, CCC, FCC, BSMI
- Dimensions (W x D x H)** UNO-3283G: 142 x 238 x 177 mm (5.6" x 9.4" x 7")  
UNO-3285G: 182 x 238 x 177 mm (7.2" x 9.4" x 7")
- Form Factor** Regular Size
- Mounting** Wall mount, Stand mount, Enclosure mount
- Weight (Net)** 4kg (2.2 lbs)/ 4.5kg (9.9 lbs)
- Power Requirements** 10-36 V<sub>DC</sub>
- Power Consumption** 90W (Typical @ 24V); 133W (Max. @ 24V)
- OS Support** WIN7/8, WES7, Win10 Ent. LTSB, AdvLinuxTU

#### System Hardware

- BIOS** AMI UEFI 128Mbit Flash BIOS
- Watchdog Timer** Programmable 255 levels timer interval, from 1 to 255 sec
- Processor** Intel® Core™ i7-6822EQ 2.0GHz Quad Core, 8MB L2  
Intel® Core™ i5-6442EQ 1.9GHz Quad Core, 6MB L2  
Intel® Core™ i5-6440EQ 2.7GHz Quad Core, 6MB L2  
Intel® Core™ i3-6102E 1.9GHz Dual Core, 3MB L2
- System Chip** Intel QM170
- Memory** Built-in 8GB DDR4 2133 MHz, two sockets support up to 32GB (Optional ECC RAM with selected RAM module for UNO-3283G-634AE/ UNO-3285G-634AE)
- Graphics Engine** Intel HD Graphics
- Ethernet** LAN A: Intel® i210-IT GbE, IIEEE802.1AS, 802.3az  
LAN B: Intel® i219-LM GbE, Intel® AMT, IEEE802.1AS, 802.3az LEDs for Power, LAN, COM (Tx/Rx), battery and HDD
- LED Indicators** One mSATA slot; One CFast slot
- Storage** Two built-in 2.5" SATA HDD brackets with support for RAID 0/1. (Compatible with 9.5mm height HDD)
- Expansion** UNO-3283G: 2 Full-size mPCIe, 1 x PCIe x16, 1 x PCI (Optional by project: 2 x PCIe x8 or 2 x PCI)  
UNO-3285G: 2 Full-size mPCIe 2 x PCIe x8, 2 x PCI (Optional by project: 4 x PCI)

#### I/O Interfaces

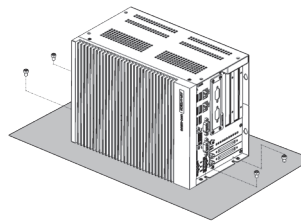
- Serial Ports** 2 x RS-232/422/485 with DB9 connectors  
RS-485 auto flow control, 50-115.2kbps, 2 x RS-232 (optional pin header)
- LAN Ports** 2 x RJ45, 10/100/1000 Mbps IEEE 802.3u 1000BASE-T Fast Ethernet
- USB Ports** 6 x USB 3.0 Ports
- Displays** 1 x DVI-I, supports 1920 x 1080 @ 60Hz 24bpp  
1 x HDMI 1.4a, supports 1920 x 1080 @ 60Hz 24bpp
- Audio** Mic-in, Line-In, Line-Out (Pin Header)
- Power Connector** 2 x 3 Pin, terminal Block to support dual power input and relay output

#### Environment

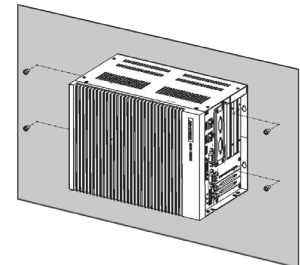
- Operating Temperature** -20 ~ 60°C (-4 ~ 140°F) with 0.7m/s airflow environment  
0-50°C (32 ~ 122°F) for UNO-3283G-6541AE
- Storage Temperature** -40 ~ 85°C (-40 ~ 185°F)
- Relative Humidity** 10 ~ 95% RH, non-condensing
- Shock Protection** Operating, IEC 60068-2-27, 50G, half sine, 11ms (SSD)
- Vibration Protection** Operating, IEC 60068-2-64, 4Grms, random, 5 ~ 500Hz, 1hr/axis (SSD); 1.5Grms, random, 5 ~ 500Hz, 1hr/axis (HDD)

### Installation Scenario

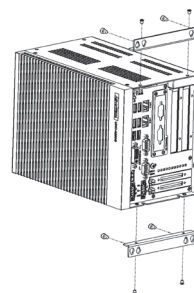
#### Stand mount



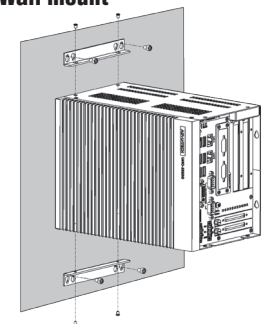
#### Wall mount



#### Enclosure Mount



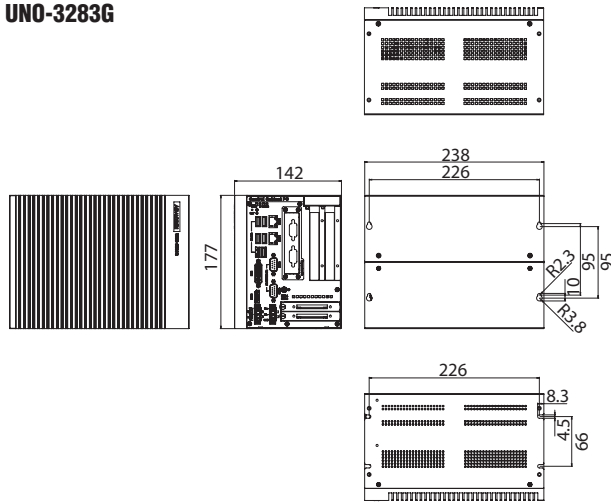
#### Wall mount



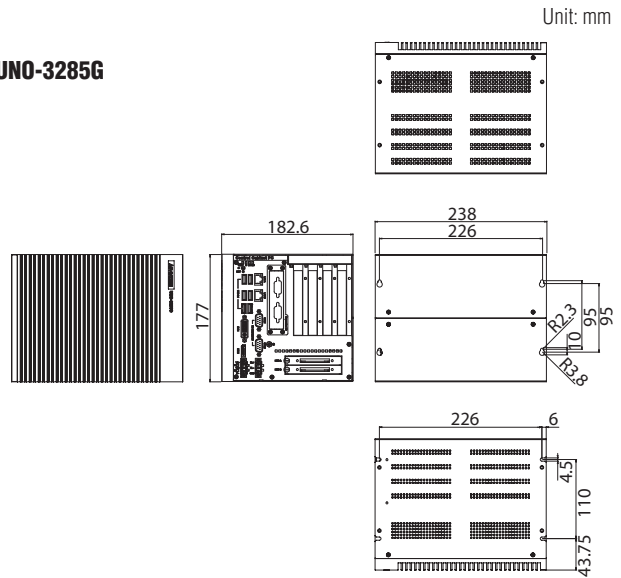
\*Mounting kit included in default package

**Dimensions**

**UNO-3283G**

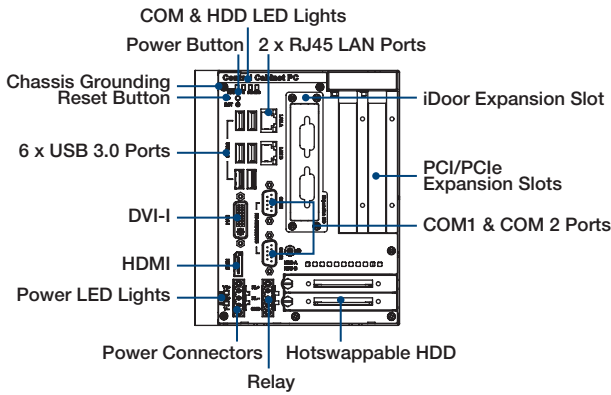


**UNO-3285G**



Unit: mm

**I/O View**



**Ordering Information**

- **UNO-3283G-674AE** Intel Core™ i7-6822EQ 2.0GHz, 8GB, 2 x LAN, 1 x PCIe x16, 1 x PCI, 2 x Full-size mPCIe
- **UNO-3283G-654AE** Intel Core™ i5-6442EQ 1.9GHz, 8GB, 2 x LAN, 1 x PCIe x16, 1 x PCI, 2 x Full-size mPCIe
- **UNO-3283G-6541AE** UNO-3283G w/ i5-6440EQ, 1 x PCI, 1 x PCIe x16
- **UNO-3283G-634AE** Intel Core™ i3-6102E 1.9GHz, 8GB, 2 x LAN, 1 x PCIe x16, 1 x PCI, 2 x Full-size mPCIe
- **UNO-3285G-674AE** Intel Core™ i7-6822EQ 2.0GHz, 8GB, 2 x LAN, 2 x PCIe x8, 2 x PCI, 2 x Full-size mPCIe
- **UNO-3285G-654AE** Intel Core™ i5-6442EQ 1.9GHz, 8GB, 2 x LAN, 2 x PCIe x8, 2 x PCI, 2 x Full-size mPCIe
- **UNO-3285G-634AE** Intel Core™ i3-6102E 1.9GHz, 8GB, 2 x LAN, 2 x PCIe x8, 2 x PCI, 2 x Full-size mPCIe

**Optional Expansion Type**

P/N	Support Model	Expansion Type
9893U20500E	UNO-3285G	4 x PCI slot
9893U20700E	UNO-3283G	2 x PCI slot
9893U20800E	UNO-3283G	2 x PCIe x8 slot

\* By project support

**iDoor Modules**

- **PCM-2300MR-AE** MR4A16B, MRAM, 2 MByte, mPCIe
- **PCM-24R2PE-AE** Intel i350, GbE, PoE IEEE 802.3af, PD, RJ45 x 2
- **PCM-24S2WF-BE** 802.11 a/b/g/n/ac 2T2R w/BT4.1, Atheros QCA6174A
- **PCM-26D2CA-AE** SJA1000 CANbus, CANopen, DB9 x 1
- **PCM-24D2R4-BE** 2-Ports Isolated RS-422/485 mPCIe, DB9
- **PCM-24D2R2-BE** 2-Ports Isolated RS-232 mPCIe, DB9
- **PCM-24D4R4-BE** 4-Ports Non-Isolated RS-422/485 mPCIe, DB37
- **PCM-24D4R2-BE** 4-Ports Non-Isolated RS-232 mPCIe, DB37
- **PCM-27D24DI-AE** 24-Channels Isolated Digital I/O with counter mPCIe, DB37
- **PCM-24R1TP-AE** 1-Port Gigabit Ethernet, Intel® 82574L, mPCIe, RJ45

**Optional Accessories**

- **96PSA-A150W24T2** 150W AC to DC power adapter
- **1702002600** Power Cable US Plug 1.8 M
- **1702002605** Power Cable EU Plug 1.8 M
- **1702031801** Power Cable UK Plug 1.8 M
- **1700000596** Power Cable China/Australia Plug 1.8 M
- **UNO-3283EM-AE** Extra 2 x COM ports extension kit
- **UNO-3283PR-AE** Remote Power & Reset extension kit
- **1700004713** DVI-I to DVI-D & VGA Cable
- **1700029839-01** 4-pin to 4-pin power cable for PCI/PCIe card. (5V&12V)
- **1700024858-01** 2x2 pin to 2x2 pin power cable for PCI/PCIe card. (12V&12V)
- **9893UH04000** Trusted Platform Module 2.0 (support from BIOS v1.17)

**Embedded O/S**

- **2070015316** Img WIN10ENT 2016LTSB V6.01B056 UNO-328xG (i7)
- **2070015317** Img WIN10ENT 2016LTSB V6.01B056 UNO-328xG (i5/i3)
- **20703WX9HS0002** Img W10 LTSC 2019 x64 V6.04 B021 UNO-328xG (i7)
- **20703WX9VS0002** Img W10 LTSC 2019 x64 V6.04 B021 UNO-328xG (i3/i5)
- **20703LLU1S0003** Image AdvLinuxTu V1.0.5 x86 for UNO-328xG
- **20703LLU1S0004** Image AdvLinuxTu V1.0.5 x64 for UNO-328xG
- **20703WE7PS0024** Img WS7P x86 MUI V4.19 B009 for UNO-328xG

# UNO-3285C

## Intel® Core™ i7/Celeron G3902E Automation Computer with 4 PCI(e) expansion slots, 2 x GbE, 2 x mPCIe, HDMI, DVI-I

NEW



### Features

- Intel® 6th Gen Core™ i7-6822EQ Quad Core Processor with 8GB DDR4 Memory
- Intel® Celeron G3902E Dual Core Processor with 4GB DDR4 Memory
- 2 x GbE, 6 x USB 3.0, 2 x RS-232/422/485, 1 x DVI-I, 1 x HDMI
- 2 x PCIe x8, 2 x PCI, 2 x mPCIe (2 x full), 1x CFast slot, 1 x mSATA slot (optional)
- Dual storage support
- Supports Fieldbus Protocol by iDoor Technology
- Dual power input for power redundancy
- Front LED indicator design for monitoring system status

### Introduction

The high-performance fanless control cabinet PC UNO-3285C equipped with a Intel® 6th Gen Core™ i7/Celeron G3902E processor and QM170 PCH chipset, rich I/O including 6 x USB 3.0, 2 x GigaLAN, 2 x RS-232/422/485 as well as DVI-I and HDMI display interfaces, UNO-3285C is designed to deliver high-performance computing and maximum flexibility for industrial automation applications. The provision of up to 4 expansion slots (2 x PCIe x8, 2 x PCI) supports the integration of modular peripherals and ensures flexible installation in diverse cabinet configurations. In addition to an exchangeable RTC battery that can be accessed via the removable top cover for convenient maintenance, the system features dual power inputs that ensure a stable power supply.

### Specifications

#### General

- Certification** CE, UL, CCC, FCC, BSMI
- Dimensions (W x D x H)** 196.6 x 238 x 177 mm (7.9" x 9.4" x 7")
- Form Factor** Regular Size
- Mounting** Stand mount
- Weight (Net)** 4.7 kg (10.3 lbs)
- Power Requirements** 10-36 V<sub>DC</sub>
- Power Consumption** 90W (Typical @ 24V); 133W (Max. @ 24V)
- OS Support** WIN7/8, WES7, Win10 Ent. LTSB, AdvLinuxTU

#### System Hardware

- BIOS** AMI UEFI 128Mbit Flash BIOS
- Watchdog Timer** Programmable 255 levels timer interval, from 1 to 255 sec
- Processor** Intel® Core™ i7-6822EQ 2.0GHz Quad Core, 8MB L2 (UNO-3285C-674AE)  
Intel® Celeron G3902E 1.6GHz Dual Core, 2MB (UNO-3285C-6C3AE)
- System Chip** Intel QM170
- Memory** Built-in 8GB DDR4 2133 MHz, two sockets support up to 32GB, UNO-3285C-674AE  
Built-in 4GB DDR4 2133 MHz, two sockets support up to 32GB, UNO-3285C-6C3AE
- Graphics Engine** Intel HD Graphics
- Ethernet** LAN A: Intel® i210-IT GbE, IEEE802.1AS, 802.3az  
LAN B: Intel® i219-LM GbE, Intel® AMT, IEEE802.1AS, 802.3az
- LED Indicators** LEDs for Power, LAN, COM (Tx/Rx), battery and HDD
- Storage** One mSATA slot; One CFast slot (sh)  
Two 2.5" SATA HDD/ SSD (Compatible with 9.5mm height HDD)
- Expansion** 2 Full-size mPCIe 2 x PCIe x8, 2 x PCI (Optional by project: 4 x PCI)

#### I/O Interfaces

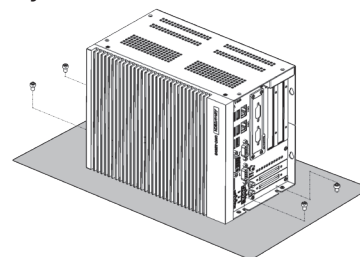
- Serial Ports** 2 x RS-232/422/485 with DB9 connectors  
RS-485 auto flow control, 50-115.2kbps
- LAN Ports** 2 x RJ45, 10/100/1000 Mbps IEEE 802.3u 1000Base-T Fast Ethernet
- USB Ports** 6 x USB 3.0 Ports
- Displays** 1 x DVI-I, supports 1920 x 1080 @ 60Hz 24bpp  
1 x HDMI 1.4a, supports 1920 x 1080 @ 60Hz 24bpp
- Power Connector** 3 Pin, terminal Block to support dual power input

#### Environment

- Operating Temperature** -20 ~ 60°C (-4 ~ 140°F) with 0.7m/s airflow environment
- Storage Temperature** -40 ~ 85°C (-40 ~ 185°F)
- Relative Humidity** 10 ~ 95% RH, non-condensing
- Shock Protection** Operating, IEC 60068-2-27, 50G, half sine, 11ms (SSD)
- Vibration Protection** Operating, IEC 60068-2-64, 2Grms, random, 5 ~ 500Hz, 1hr/axis (SSD)

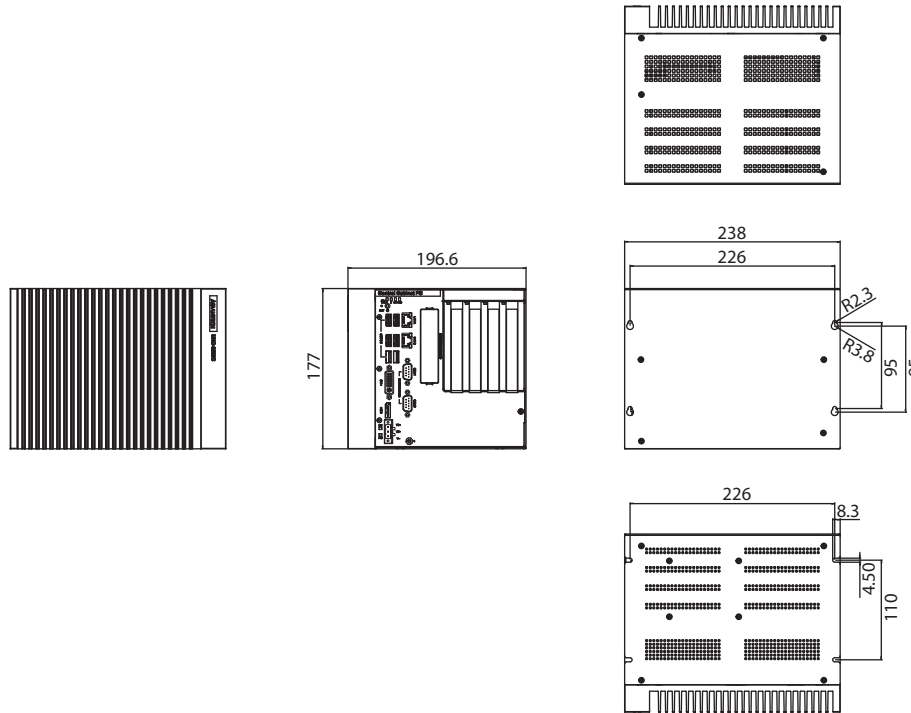
### Installation Scenario

#### Stand mount only

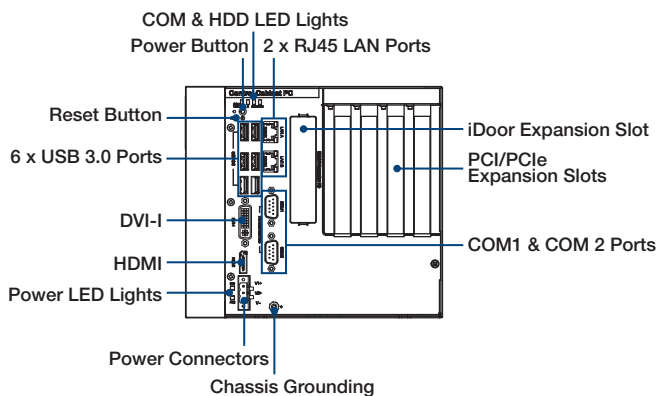


## Dimensions

Unit: mm



## I/O View



## Ordering Information

- UNO-3285C-674AE Intel Core™ i7-6822EQ 2.0GHz, 8GB, 2 x LAN, 2 x PCIe x8, 2 x PCI, 2 x Full-size mPCIe
- UNO-3285C-6C3AE Intel Celeron G3902E 1.6 GHz, 4GB, 2 x LAN, 2 x PCIe x8, 2 x PCI, 2 x Full-size mPCIe

## Optional Expansion Type

P/N	Support Model	Expansion Type
9893U20500E	UNO-3285G/ 3285C	4 x PCI slot

\* By project support

## iDoor Modules

- PCM-2300MR-AE MR4A16B, MRAM, 2 MByte, mPCIe
- PCM-24R2PE-AE Intel i350, GbE, PoE IEEE 802.3af, PD, RJ45 x 2
- PCM-24S2WF-BE 802.11 a/b/g/n/ac 2T2R w/BT4.1, Atheros QCA6174A
- PCM-26D2CA-AE SJA1000 CANbus, CANopen, DB9 x 1
- PCM-24D2R4-BE 2-Ports Isolated RS-422/485 mPCIe, DB9
- PCM-24D2R2-BE 2-Ports Isolated RS-232 mPCIe, DB9
- PCM-24D4R4-BE 4-Ports Non-Isolated RS-422/485 mPCIe, DB37
- PCM-24D4R2-BE 4-Ports Non-Isolated RS-232 mPCIe, DB37
- PCM-27D24DI-AE 24-Channels Isolated Digital I/O with counter mPCIe, DB37
- PCM-24R1TP-AE 1-Port Gigabit Ethernet, Intel® 82574L, mPCIe, RJ45

## Optional Accessories

- 96PSA-A150W24T2 150W AC to DC power adapter
- 1702002600 Power Cable US Plug 1.8 M
- 1702002605 Power Cable EU Plug 1.8 M
- 1702031801 Power Cable UK Plug 1.8 M
- 1700000596 Power Cable China/Australia Plug 1.8 M
- 9893UH04000 Trusted Platform Module 2.0 (support from BIOS v1.17)

## Embedded O/S

- 2070015316 Img WIN10ENT 2016LTSB V6.01B056 UNO-328xG (i7)
- 2070015317 Img WIN10ENT 2016LTSB V6.01B056 UNO-328xG (i5/i3)
- 20703WX9HS0011 Img W10 LTSC 2019 x64 V6.04 B046 UNO-328xG (i7)
- 20703WX9VS0012 Img W10 LTSC 2019 x64 V6.04 B046 UNO-328xG (i3/i5)
- 20703LLU1S0003 Image AdvLinuxTu V1.0.5 x86 for UNO-328xG
- 20703LLU1S0004 Image AdvLinuxTu V1.0.5 x64 for UNO-328xG
- 20703WE7PS0024 Img WS7P x86 MUI V4.19 B009 for UNO-328xG

# UNO-3382G

# UNO-3384G

## Intel® Core™ i7/Celeron® Control Cabinet PC w/ 2 x GbE, 2 x mPCIe, HDMI/DP

**NEW**



### Features

- 4th generation Intel® Core™ i7/Celeron® processors with 8GB/4GB DDR3L memory
- 2 x GbE, 2 x USB 2.0, 2 x USB 3.0, 1 x RS-232/RS-422/485, 1 x HDMI, 1 x DP, 1 x CFast, 2 x PCI/PCIe, 2 x mPCIe (2 x full)
- Hot-swappable HDD/SSD support for RAID 0/1
- Protection Technology of optional UPS is compatible with UNO-3300 series which enhances the quality of input power and secure the data safety
- Supports Fieldbus protocol by iDoor technology 3G/GPS/GPRS/Wi-Fi communication by iDoor technology
- Supports MRAM by iDoor technology
- LAN redundancy (teaming)

### Introduction

Advantech's UNO-3300 series offer an open and universal automation solution. The newest UNO-3300 series of the Control Cabinet PC have attractive and flexible extension capabilities such as 2 x USB 2.0 ports and 2 x USB 3.0 ports, 1 x HDMI, 1 x DP, 1 x CFast, 1 x COM ports, 2 x LANS, 2 x mPCIe and 2 x PCI/PCIe. It's a reliable industrial control machine certified by industrial automation standard IEC-61010.

### Specifications

#### General

- Certification** CE, FCC, UL
- Dimensions (W x D x H)** UNO-3382G: 65.2 x 254 x 207 mm (2.5" x 10" x 8.15")  
UNO-3384G: 103.2 x 254 x 207 mm (4.06" x 10" x 8.15")
- Form Factor** Regular Size
- Enclosure** Aluminum Housing
- Mounting** Book mounting
- Weight (Net)** UNO-3382G: 3.1kg  
UNO-3384G: 3.9kg
- Power Requirements** 24 V<sub>DC</sub> ± 20%
- Power Consumption** 45W (Typical), 65W (Max, UNO-3382),  
75W (Max, UNO-3384)
- OS Support** WIN7/8, WES7, WES10, Advantech Linux

#### System Hardware

- BIOS** AMI UEFI 128Mbit Flash BIOS
- Watchdog Timer** Programmable 255 levels timer interval, from 1 to 255 sec
- Processor** Intel® Core™ i7-4650U 1.7GHz Haswell, 4MB L2  
Intel® Celeron® 2980U 1.6GHz, 2MB L2
- System Chip** Integrated Intel 8 Series Chipset
- Memory** Built-in 4GB/8GB DDR3L 1333 MHz
- Graphics Engine** Intel® HD graphics
- Ethernet** Intel® i210-ITGbE
- LED Indicators** LEDs for Power, Battery, COM (Tx/Rx) HDD and reserved x 2
- Storage** 1 x CFast slot  
Two built-in 2.5" SATA HDD brackets with support for RAID 0/1. (Compatible with 9.5mm height HDD)
- Expansion** UNO-3382G: 2 Full-size mPCIe  
UNO-3384G: 2 Full-size mPCIe, 1x PCIe4, 1x PCI  
(total combined power consumption on the PCI/PCIe slots should be less than 20W)

#### I/O Interfaces

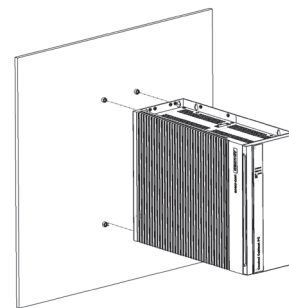
- Serial Ports** 1 x RS-232/422/485, DB9, auto flow control, 50-115.2kbps
- LAN Ports** 2 x RJ45, 10/100/1000 Mbps IEEE 802.3u 1000BASE-T Fast Ethernet
- USB Ports** 4 x USB Ports (2 x USB 2.0, 2 x USB 3.0 compliant)
- Displays** 1 x HDMI, supports 1920 x 1200 @ 60Hz 24bpp  
1 x DP, supports 3200 x 2000 @ 60Hz 24bpp
- Power Connector** 1 x 3 Pin, Terminal Block

#### Environment

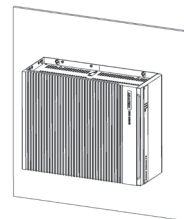
- Operating Temperature** 0 ~ 55°C (32 ~ 131°F) @ 5 ~ 85% RH with 0.7m/s airflow (Industry SSD)
- Storage Temperature** - 40 ~ 85°C (-40 ~ 185°F)
- Relative Humidity** 10 ~ 95% RH @ 40°C, non-condensing
- Shock Protection** Operating, IEC 60068-2-27, 20G, half sine, 11ms
- Vibration Protection** Operating, IEC 60068-2-64, 2Grms, random, 5 ~ 500Hz, 1hr/axis (mSATA)

### Installation Scenario

#### Book mounting



#### Wall mount

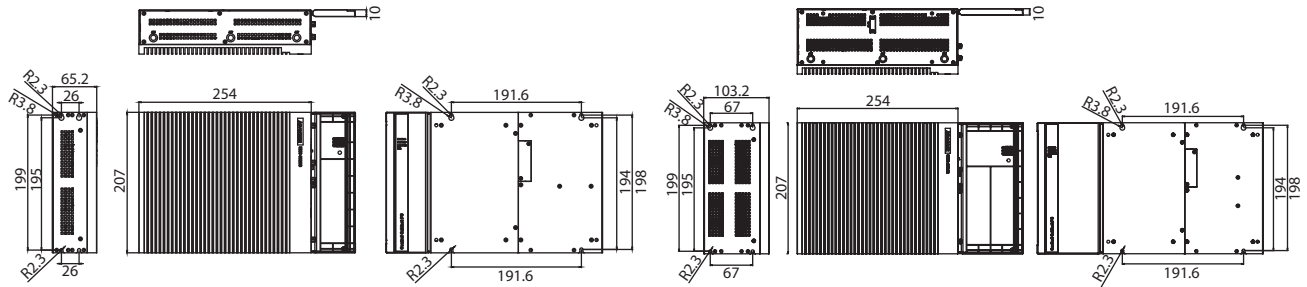


## Dimensions

Unit: mm

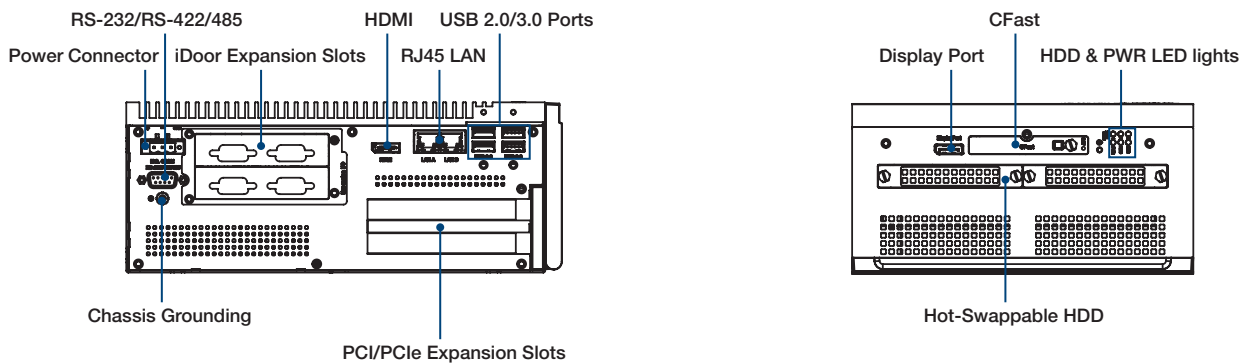
### UNO-3382G

### UNO-3384G



## I/O View

### UNO-3384G



## Ordering Information

- **UNO-3382G-474AE** Intel® Core™ i7-4650U 1.7GHz, 8GB, 2 x LANs, 2 x Full-size mPCIe, 1 x HDMI, 1 x DP
- **UNO-3384G-474AE** Intel® Core™ i7-4650U 1.7GHz, 8GB, 2 x LANs, 1 x PCIe4, 1 x PCI, 2 x Full-size mPCIe, 1 x HDMI, 1 x DP
- **UNO-3382G-4C3AE** Intel® Celeron® 2980U 1.6GHz, 4GB, 2 x LANs, 2 x Full-size mPCIe, 1 x HDMI, 1 x DP
- **UNO-3384G-4C3AE** Intel® Celeron® 2980U 1.6GHz, 4GB, 2 x LANs, 1 x PCIe4, 1 x PCI, 2 x Full-size mPCIe, 1 x HDMI, 1 x DP

## Optional Accessories

- **UNO-IPS2730-AE** UPS module
- **UNO-3300FAN-AE** FAN kit for UNO-3384G series
- **96PSA-A150W24T2** 150W AC to DC power adapter
- **1702002600** Power Cable US Plug 1.8 M
- **1702002605** Power Cable EU Plug 1.8 M
- **1702031801** Power Cable UK Plug 1.8 M
- **1700000596** Power Cable China/Australia Plug 1.8 M

## Embedded O/S

- **2070013477** Image WES7P X64 MUI. for UNO-3382G/3384G
- **2070013478** Image Linux for UNO-3382G/3384G

## iDoor Modules

- **PCM-24R2PE-AE** Intel i350, GbE, PoE IEEE 802.3af, PD, RJ45 x 2
- **PCM-24S2WF-BE** 802.11 a/b/g/n/ac 2T2R w/BT4.1, Atheros QCA6174A
- **PCM-26D2CA-AE** SJA1000 CANbus, CANopen, DB9 x 1
- **PCM-24D2R4-BE** 2-Ports Isolated RS-422/485 mPCIe, DB9
- **PCM-24D2R2-BE** 2-Ports Isolated RS-232 mPCIe, DB9
- **PCM-24D4R4-BE** 4-Ports Non-Isolated RS-422/485 mPCIe, DB37
- **PCM-24D4R2-BE** 4-Ports Non-Isolated RS-232 mPCIe, DB37
- **PCM-27D24DI-AE** 24-Channels Isolated Digital I/O with counter mPCIe, DB37
- **PCM-24R1TP-AE** 1-Port Gigabit Ethernet, Intel® 82574L, mPCIe, RJ45

# UNO-3382G

# UNO-3384G

## Intel® Core™ i7/Celeron® Control Cabinet PC w/ 2 x GbE, 2 x mPCIe, HDMI/DP

**NEW**



### Features

- 4th generation Intel® Core™ i7/Celeron® processors with 8GB/4GB DDR3L memory
- 2 x GbE, 2 x USB 2.0, 2 x USB 3.0, 1 x RS-232/RS-422/485, 1 x HDMI, 1 x DP, 1 x CFast, 2 x PCI/PCIe, 2 x mPCIe (2 x full)
- Hot-swappable HDD/SSD support for RAID 0/1
- Protection Technology of optional UPS is compatible with UNO-3300 series which enhances the quality of input power and secure the data safety
- Supports Fieldbus protocol by iDoor technology 3G/GPS/GPRS/Wi-Fi communication by iDoor technology
- Supports MRAM by iDoor technology
- LAN redundancy (teaming)

### Introduction

Advantech's UNO-3300 series offer an open and universal automation solution. The newest UNO-3300 series of the Control Cabinet PC have attractive and flexible extension capabilities such as 2 x USB 2.0 ports and 2 x USB 3.0 ports, 1 x HDMI, 1 x DP, 1 x CFast, 1 x COM ports, 2 x LANS, 2 x mPCIe and 2 x PCI/PCIe. It's a reliable industrial control machine certified by industrial automation standard IEC-61010.

### Specifications

#### General

- **Certification** CE, FCC, UL
- **Dimensions (W x D x H)** UNO-3382G: 65.2 x 254 x 207 mm (2.5" x 10" x 8.15")  
UNO-3384G: 103.2 x 254 x 207 mm (4.06" x 10" x 8.15")
- **Form Factor** Regular Size
- **Enclosure** Aluminum Housing
- **Mounting** Book mounting
- **Weight (Net)** UNO-3382G: 3.1kg  
UNO-3384G: 3.9kg
- **Power Requirements** 24 V<sub>DC</sub> ± 20%
- **Power Consumption** 45W (Typical), 65W (Max, UNO-3382),  
75W (Max, UNO-3384)
- **OS Support** WIN7/8, WES7, WES10, Advantech Linux

#### System Hardware

- **BIOS** AMI UEFI 128Mbit Flash BIOS
- **Watchdog Timer** Programmable 255 levels timer interval, from 1 to 255 sec
- **Processor** Intel® Core™ i7-4650U 1.7GHz Haswell, 4MB L2  
Intel® Celeron® 2980U 1.6GHz, 2MB L2
- **System Chip** Integrated Intel 8 Series Chipset
- **Memory** Built-in 4GB/8GB DDR3L 1333 MHz
- **Graphics Engine** Intel® HD graphics
- **Ethernet** Intel® i210-ITGbE
- **LED Indicators** LEDs for Power, Battery, COM (Tx/Rx) HDD and reserved x 2
- **Storage** 1 x CFast slot  
Two built-in 2.5" SATA HDD brackets with support for RAID 0/1. (Compatible with 9.5mm height HDD)
- **Expansion** UNO-3382G: 2 Full-size mPCIe  
UNO-3384G: 2 Full-size mPCIe, 1x PCIe4, 1x PCI  
(total combined power consumption on the PCI/PCIe slots should be less than 20W)

#### I/O Interfaces

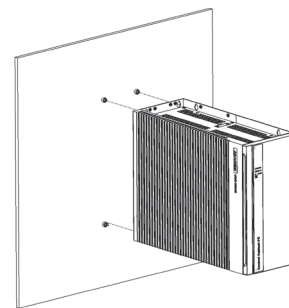
- **Serial Ports** 1 x RS-232/422/485, DB9, auto flow control, 50-115.2kbps
- **LAN Ports** 2 x RJ45, 10/100/1000 Mbps IEEE 802.3u 1000BASE-T Fast Ethernet
- **USB Ports** 4 x USB Ports (2 x USB 2.0, 2 x USB 3.0 compliant)
- **Displays** 1 x HDMI, supports 1920 x 1200 @ 60Hz 24bpp  
1 x DP, supports 3200 x 2000 @ 60Hz 24bpp
- **Power Connector** 1 x 3 Pin, Terminal Block

#### Environment

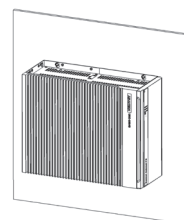
- **Operating Temperature** 0 ~ 55°C (32 ~ 131°F) @ 5 ~ 85% RH with 0.7m/s airflow (Industry SSD)
- **Storage Temperature** -40 ~ 85°C (-40 ~ 185°F)
- **Relative Humidity** 10 ~ 95% RH @ 40°C, non-condensing
- **Shock Protection** Operating, IEC 60068-2-27, 20G, half sine, 11ms
- **Vibration Protection** Operating, IEC 60068-2-64, 2Grms, random, 5 ~ 500Hz, 1hr/axis (mSATA)

### Installation Scenario

#### Book mounting



#### Wall mount

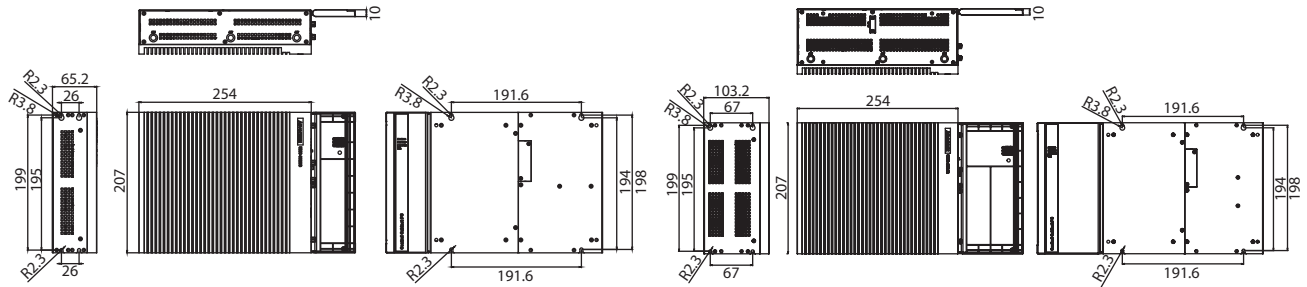


## Dimensions

Unit: mm

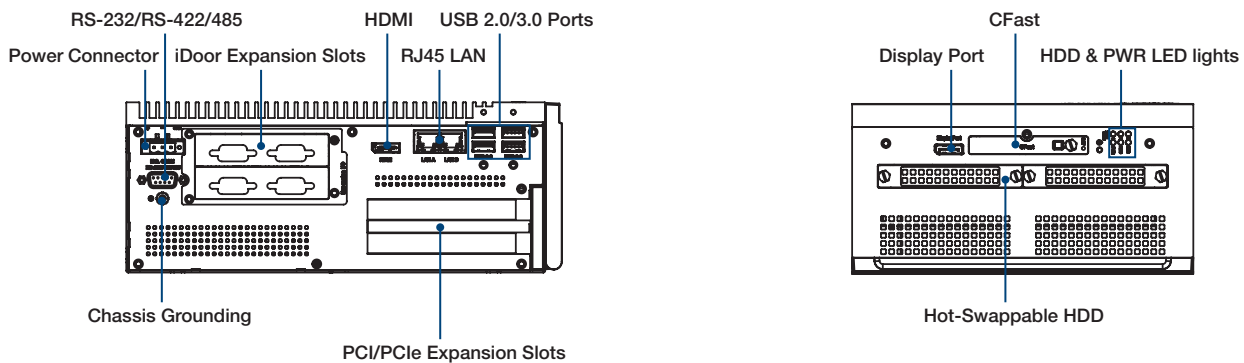
### UNO-3382G

### UNO-3384G



## I/O View

### UNO-3384G



## Ordering Information

- **UNO-3382G-474AE** Intel® Core™ i7-4650U 1.7GHz, 8GB, 2 x LANs, 2 x Full-size mPCIe, 1 x HDMI, 1 x DP
- **UNO-3384G-474AE** Intel® Core™ i7-4650U 1.7GHz, 8GB, 2 x LANs, 1 x PCIe4, 1 x PCI, 2 x Full-size mPCIe, 1 x HDMI, 1 x DP
- **UNO-3382G-4C3AE** Intel® Celeron® 2980U 1.6GHz, 4GB, 2 x LANs, 2 x Full-size mPCIe, 1 x HDMI, 1 x DP
- **UNO-3384G-4C3AE** Intel® Celeron® 2980U 1.6GHz, 4GB, 2 x LANs, 1 x PCIe4, 1 x PCI, 2 x Full-size mPCIe, 1 x HDMI, 1 x DP

## Optional Accessories

- **UNO-IPS2730-AE** UPS module
- **UNO-3300FAN-AE** FAN kit for UNO-3384G series
- **96PSA-A150W24T2** 150W AC to DC power adapter
- **1702002600** Power Cable US Plug 1.8 M
- **1702002605** Power Cable EU Plug 1.8 M
- **1702031801** Power Cable UK Plug 1.8 M
- **1700000596** Power Cable China/Australia Plug 1.8 M

## Embedded O/S

- **2070013477** Image WES7P X64 MUI. for UNO-3382G/3384G
- **2070013478** Image Linux for UNO-3382G/3384G

## iDoor Modules

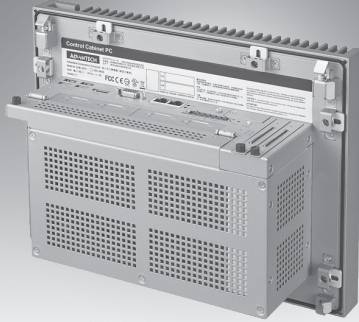
- **PCM-24R2PE-AE** Intel i350, GbE, PoE IEEE 802.3af, PD, RJ45 x 2
- **PCM-24S2WF-BE** 802.11 a/b/g/n/ac 2T2R w/BT4.1, Atheros QCA6174A
- **PCM-26D2CA-AE** SJA1000 CANbus, CANopen, DB9 x 1
- **PCM-24D2R4-BE** 2-Ports Isolated RS-422/485 mPCIe, DB9
- **PCM-24D2R2-BE** 2-Ports Isolated RS-232 mPCIe, DB9
- **PCM-24D4R4-BE** 4-Ports Non-Isolated RS-422/485 mPCIe, DB37
- **PCM-24D4R2-BE** 4-Ports Non-Isolated RS-232 mPCIe, DB37
- **PCM-27D24DI-AE** 24-Channels Isolated Digital I/O with counter mPCIe, DB37
- **PCM-24R1TP-AE** 1-Port Gigabit Ethernet, Intel® 82574L, mPCIe, RJ45



# UNO-3483G

## Intel® Core™ i7 Control Cabinet PC w/ 2 x GbE, 2 x mPCIe, HDMI/VGA

NEW



### Features

- 3rd Generation Intel® Quad Core processors with 8GB DDR3L memory
- 2 x GbE, 2 x USB 2.0, 2 x USB 3.0, 1 x RS-232, 1 x RS-422/485 (pin header), 1 x VGA, 1 x HDMI
- 1 x PCIe4, 3 x mPCIe (2 x full, 1 x half), 1 x mSATA slot
- Space-saving compact with fanless design
- Thumb screws for easy maintenance
- Hot-swappable HDD/SSD support for RAID 0/1
- High protection IP67 certification
- Convenient "place & click"
- Easily exchangeable RTC battery
- Supports Fieldbus protocol by iDoor Technology
- 3G/GPS/GPRS/Wi-Fi communication by iDoor technology
- Supports MRAM by iDoor technology
- LAN redundancy (teaming)

### Introduction

Advantech's UNO-3483G Control Cabinet PC is configured with high-performance Intel Core i7 processors and QM77 PCH, which supports two displays, four USB ports, two mPCIe sockets, and up to three expansion slots. It also includes iDoor technology which supports automation feature extensions such as industry Fieldbus communication, Wi-Fi/3G, and Digital I/O. The UNO-3483G has a compact heat sink with integrated seals mounted on the outside of the cabinet through a corresponding cutout; it has a place-and-click feature that considers users' activities and then simplifies the installation procedure to conserve space and to maintain IP67 protection. The high performing UNO-3483G model offers maximum flexibility when selecting the control cabinet, and remains independent of the number and form of control buttons and switches on the front panel.

### Specifications

#### General

- **Certification** CE, FCC, UL, BSMI
- **Dimensions (W x D x H)** 305 x 82 x 225 mm (12" x 3.2" x 8.9")
- **Form Factor** Regular Size
- **Enclosure** Aluminum Housing
- **Mounting** Enclosure mounting
- **Weight (Net)** 4.9kg (10.8lbs)
- **Power Requirements** 12V/24V<sub>DC</sub> ± 20%
- **Power Consumption** 50W (Typical), 100W (Max)
- **OS Support** WIN7/8, WES7, WES-2009, Linux

#### System Hardware

- **BIOS** AMI UEFI 128Mbit Flash BIOS
- **Watchdog Timer** Programmable 255 levels timer interval, from 1 to 255 sec
- **Processor** Intel® Core™ i7-3612QE QC 2.1GHz Ivy Bridge Quad Core, 6MB L2
- **System Chip** Integrated Intel 8 Series Chipset
- **Memory** Build-in 8GB DDR3L 1333 MHz
- **Graphics Engine** Intel® HD Graphics
- **Ethernet** LAN A: Intel® 82579LM GbE, Intel® AMT, IEEE802.1AS, 802.3az  
LAN B: Intel® 82583V GbE, IEEE802.1AS, 802.3az
- **LED Indicators** LEDs for Power, LAN (Active, Status), COM (Tx/Rx) and HDD
- **Storage** One mSATA slot  
Two built-in 2.5" SATA HDD brackets with support for RAID 0/1. (Compatible with 9.5mm height HDD)
- **Expansion** 1 x PCIe4, 2 x Full-size mPCIe, 1 x half-size mPCIe

#### I/O Interfaces

- **Serial Ports** 1 x RS-232, DB9, 50~115.2kbps (pin header)  
1 x RS-422/485, DB9, auto flow control, 50~115.2kbps (pin header)
- **LAN Ports** 2 x RJ45, 10/100/1000 Mbps IEEE 802.3u  
1000BASE-T Fast Ethernet

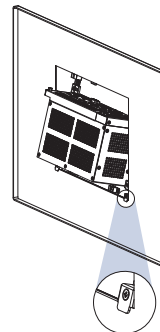
- **USB Ports** 4 x USB Ports (2 x USB 2.0, 2 x USB 3.0 compliant)
- **Displays** 1 x VGA, supports 1920 x 1080 @ 60Hz 24bpp  
1 x HDMI 1.4a, supports 1920 x 1080 @ 60Hz 24bpp
- **Audio** Mic-in, Line-In, Line-Out (Pin Header)
- **Power Connector** 1 x 7 Pin, Terminal Block to support dual power input and remote power control

#### Environment

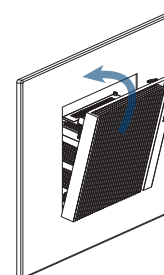
- **Operating Temperature** - 20 ~ 60°C (-4 ~ 140°F) @ 5 ~ 85% RH with 0.7m/s airflow (Industry SSD)  
- 40 ~ 85°C (-40 ~ 185°F)
- **Storage Temperature** - 40 ~ 85°C (-40 ~ 185°F)
- **Relative Humidity** 10 ~ 95% RH @ 40°C, non-condensing
- **Shock Protection** Operating, IEC 60068-2-27, 50G, half sine, 11ms
- **Vibration Protection** Operating, IEC 60068-2-64, 2Grms, random, 5 ~ 500Hz, 1hr/axis (mSATA)
- **Ingress Protection** Integrated seals maintain IP67 protection

### Installation Scenario

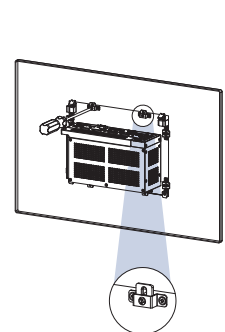
#### STEP 1



#### STEP 2

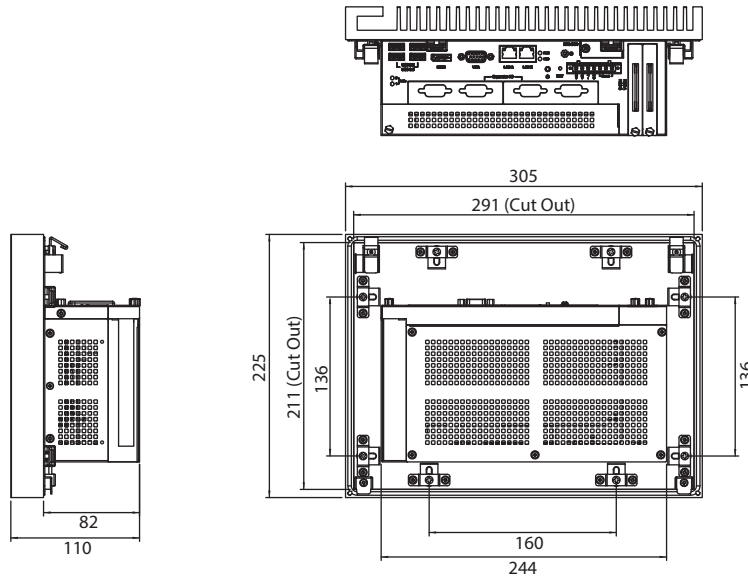


#### STEP 3

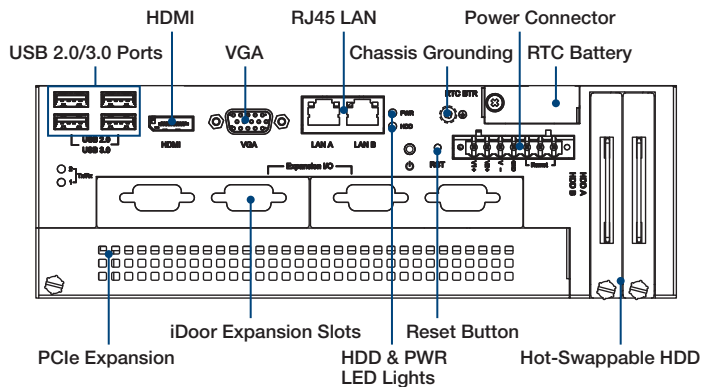


## Dimensions

Unit: mm



## I/O View



## iDoor Modules

- **PCM-24R2PE-AE** Intel i350, GbE, PoE IEEE 802.3af, PD, RJ45 x 2
- **PCM-24S2WF-BE** 802.11 a/b/g/n/ac 2T2R w/BT4.1, Atheros QCA6174A
- **PCM-26D2CA-AE** SJA1000 CANbus, CANopen, DB9 x 1
- **PCM-24D2R4-BE** 2-Ports Isolated RS-422/485 mPCIe, DB9
- **PCM-24D2R2-BE** 2-Ports Isolated RS-232 mPCIe, DB9
- **PCM-24D4R4-BE** 4-Ports Non-Isolated RS-422/485 mPCIe, DB37
- **PCM-24D4R2-BE** 4-Ports Non-Isolated RS-232 mPCIe, DB37
- **PCM-27D24DI-AE** 24-Channels Isolated Digital I/O with counter mPCIe, DB37
- **PCM-24R1TP-AE** 1-Port Gigabit Ethernet, Intel® 82574L, mPCIe, RJ45

## Optional Accessories

- **96PSA-A150W19P4-1** 150W AC to DC power adapter
- **1702002600** Power cable US Plug 1.8 M
- **1702002605** Power cable EU Plug 1.8 M
- **1702031801** Power cable UK Plug 1.8 M
- **1700000596** Power Cable China/Australia Plug 1.8 M

## Ordering Information

- **UNO-3483G-374AE** Intel® Core™ i7-3612QE QC 2.1GHz, 8GB, 2 x LANs, 1 x PCIe4, 2 x Full-size mPCIe, 1 x half-size mPCIe

## User scenario



## Embedded O/S

- **2070013472** Image WES7P X64 MUI. for UNO-3483G
- **2070013473** Image Linux for UNO-3483G