

PWS-870/872 Peripherals

Optional Accessories and Extension Modules for the PWS-870/872 Series



Universal Cover Package



Features

- Material: Plastic, PVC
- Color: Black
- Dimensions: 305 x 254.2 x 88.4 mm (12 x 10 x 3.48 in)
- Weight: 500 g (1.10 lb)
- Package contents: Universal cover with handle, stand, strap, and holster options

Extension Modules

MSR and Smart Card Reader



Features

- Smart Card Reader
 - ISO 7816 PC/SC
 - EMV 4.0 Level 1
 - Supports I2C memory cards (SLE4418, SLE4428, SLE4432, SLE4442, SLE4436, SLE5536, SLE6636, AT88SC1608, AT45D041)
- Magnetic Stripe Reader
 - MagneSafe™ IntelliHead
 - Supports US 7810, ISO 7811/AAMVA
 - Read speed: 6 ~ 60 IPS (15.4 ~ 12.4 cm)
 - Triple DES encryption
 - DUKPT key management
- Operating temperature: -20 ~ 50 °C (-4 ~ 122 °F)
- Storage temperature: -20 ~ 60 °C (-4 ~ 140 °F)
- Dimensions: 192.2 x 40.2 x 25 mm (7.56 x 1.58 x 0.98 in)
- Weight: 120 g (0.26 lb)

Additional I/O



Features

- Interfaces: 1 x USB 3.0 (type A, 5V/0.9A), 2 x RS-232 (D-sub 9), 1 x 10/100/1000 Ethernet (RJ45)
- Operating temperature: -20 ~ 50 °C (-4 ~ 122 °F)
- Dimensions: 192.2 x 45.2 x 25 mm (7.56 x 1.77 x 0.98 in)
- Weight: 140 g (0.30 lb)

AIM-55 Extensions and Accessories

Extension Modules

Barcode Scanner (20°)



Barcode Scanner (70°)



LAN + COM Module



Part Number	AIM-BCRS-0020	AIM-BCRS-0070	AIM-LANC-0001
Features	<ul style="list-style-type: none"> Sensor: 640 x 480 CMOS sensor Illumination & Aiming: White LED illuminator/Red LED dot aimer Frame rate: 30 fps Field of view: Horizontal: 37.8°; Vertical: 28.8° 	<ul style="list-style-type: none"> Sensor: 640 x 480 CMOS sensor Illumination & Aiming: White LED illuminator/Red LED dot aimer Frame rate: 30 fps Field of view: Horizontal: 37.8°; Vertical: 28.8° 	<ul style="list-style-type: none"> 1 x 10/100 Ethernet port 1 x COM port
Dimensions	130.2 x 38.7 x 27.8 mm (5.12 x 1.52 x 1.09 in)	130.2 x 38.7 x 32 mm (5.12 x 1.52 x 1.25 in)	130.2 x 70 x 29 mm (5.12 x 2.75 x 1.14 in)
Weight	0.042 kg (0.092 lb)	0.042 kg (0.092 lb)	0.078 kg (0.171 lb)

Accessories

Hand Strap



Shoulder Strap (Portrait)



Shoulder Strap (Landscape)



Battery with Meter



Stylus Holder

Part Number	AIM-SRP0-0000	AIM-SRP0-0001	AIM-SRP0-0002	AIM-BAT0-0252
Features	Black With one stylus holder	Black With one stylus holder	Black With one stylus holder	Black
Dimensions	240 x 20 mm (9.44 x 0.78 in)	380 x 135 x 20 mm (14.96 x 5.31 x 0.78 in)	1820 x 20 mm (71.65 x 0.78 in)	120 x 87 x 7.5 mm (4.72 x 3.43 x 0.30 in)
Weight	0.022 kg (0.048 lb)	0.05 kg (0.11 lb)	0.05 kg (0.11 lb)	0.147 kg (0.324 lb)

Active Stylus



Part Number	AIM-P704
Features	Black
Dimensions	140 x 9.7 mm (5.51 x 0.38 in)
Weight	0.02 kg (0.044 lb)

AIM-55 Extensions and Accessories

Extension Modules

Barcode Scanner (20°)



Barcode Scanner (70°)



LAN + COM Module



Part Number	AIM-BCRS-0020	AIM-BCRS-0070	AIM-LANC-0001
Features	<ul style="list-style-type: none"> Sensor: 640 x 480 CMOS sensor Illumination & Aiming: White LED illuminator/Red LED dot aimer Frame rate: 30 fps Field of view: Horizontal: 37.8°; Vertical: 28.8° 	<ul style="list-style-type: none"> Sensor: 640 x 480 CMOS sensor Illumination & Aiming: White LED illuminator/Red LED dot aimer Frame rate: 30 fps Field of view: Horizontal: 37.8°; Vertical: 28.8° 	<ul style="list-style-type: none"> 1 x 10/100 Ethernet port 1 x COM port
Dimensions	130.2 x 38.7 x 27.8 mm (5.12 x 1.52 x 1.09 in)	130.2 x 38.7 x 32 mm (5.12 x 1.52 x 1.25 in)	130.2 x 70 x 29 mm (5.12 x 2.75 x 1.14 in)
Weight	0.042 kg (0.092 lb)	0.042 kg (0.092 lb)	0.078 kg (0.171 lb)

Accessories

Hand Strap



Stylus Holder

Shoulder Strap (Portrait)



Shoulder Strap (Landscape)



Battery with Meter



Part Number	AIM-SRP0-0000	AIM-SRP0-0001	AIM-SRP0-0002	AIM-BAT0-0252
Features	Black With one stylus holder	Black With one stylus holder	Black With one stylus holder	Black
Dimensions	240 x 20 mm (9.44 x 0.78 in)	380 x 135 x 20 mm (14.96 x 5.31 x 0.78 in)	1820 x 20 mm (71.65 x 0.78 in)	120 x 87 x 7.5 mm (4.72 x 3.43 x 0.30 in)
Weight	0.022 kg (0.048 lb)	0.05 kg (0.11 lb)	0.05 kg (0.11 lb)	0.147 kg (0.324 lb)

Active Stylus



Part Number	AIM-P704
Features	Black
Dimensions	140 x 9.7 mm (5.51 x 0.38 in)
Weight	0.02 kg (0.044 lb)

AIM-55 Extensions and Accessories

Extension Modules

Barcode Scanner (20°)



Barcode Scanner (70°)



LAN + COM Module



Part Number	AIM-BCRS-0020	AIM-BCRS-0070	AIM-LANC-0001
Features	<ul style="list-style-type: none"> Sensor: 640 x 480 CMOS sensor Illumination & Aiming: White LED illuminator/Red LED dot aimer Frame rate: 30 fps Field of view: Horizontal: 37.8°; Vertical: 28.8° 	<ul style="list-style-type: none"> Sensor: 640 x 480 CMOS sensor Illumination & Aiming: White LED illuminator/Red LED dot aimer Frame rate: 30 fps Field of view: Horizontal: 37.8°; Vertical: 28.8° 	<ul style="list-style-type: none"> 1 x 10/100 Ethernet port 1 x COM port
Dimensions	130.2 x 38.7 x 27.8 mm (5.12 x 1.52 x 1.09 in)	130.2 x 38.7 x 32 mm (5.12 x 1.52 x 1.25 in)	130.2 x 70 x 29 mm (5.12 x 2.75 x 1.14 in)
Weight	0.042 kg (0.092 lb)	0.042 kg (0.092 lb)	0.078 kg (0.171 lb)

Accessories

Hand Strap



Shoulder Strap (Portrait)



Shoulder Strap (Landscape)



Battery with Meter



Stylus Holder

Part Number	AIM-SRP0-0000	AIM-SRP0-0001	AIM-SRP0-0002	AIM-BAT0-0252
Features	Black With one stylus holder	Black With one stylus holder	Black With one stylus holder	Black
Dimensions	240 x 20 mm (9.44 x 0.78 in)	380 x 135 x 20 mm (14.96 x 5.31 x 0.78 in)	1820 x 20 mm (71.65 x 0.78 in)	120 x 87 x 7.5 mm (4.72 x 3.43 x 0.30 in)
Weight	0.022 kg (0.048 lb)	0.05 kg (0.11 lb)	0.05 kg (0.11 lb)	0.147 kg (0.324 lb)

Active Stylus



Part Number	AIM-P704
Features	Black
Dimensions	140 x 9.7 mm (5.51 x 0.38 in)
Weight	0.02 kg (0.044 lb)

AIM-65

8" Industrial-Grade Tablet with Intel® Atom™ Processor



Features

- Intel® Atom™ processor for Windows 10 IoT and AIM Android 6.0
- 8" WUXGA full HD display with scratch-resistant Corning® Gorilla® Glass 3 and multi-touch PCAP control
- WLAN, BT, NFC, 3G/ 4G LTE technology for seamless communications
- Optional extension include 1D/2D barcode scanner, LAN+COM module, UHF RFID module
- Light weight design and multi-tablet charging station allows to reduce downtime of operations

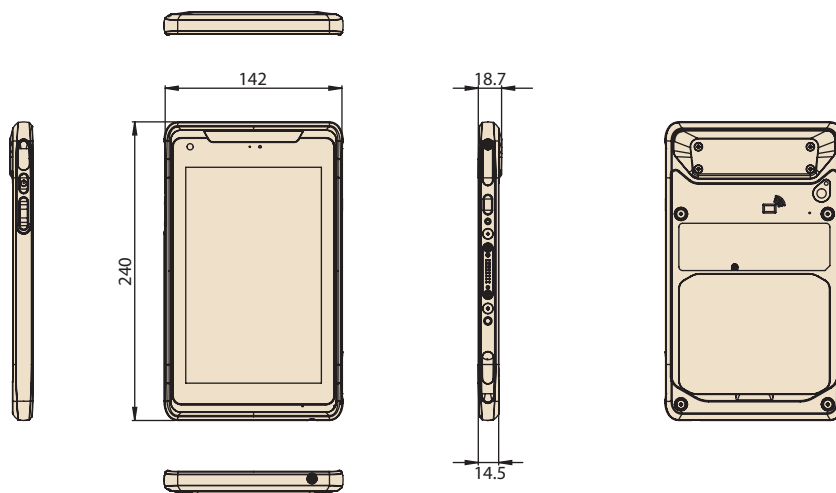


Specifications

System	Processor	Intel® Atom™ quad-core x5-Z8350 (1.44 GHz)
	Memory	2/4 GB (default 2 GB)
	OS	Windows 10 IoT Enterprise, Android 6.0
Storage	eMMC	32/64 GB (default 32 GB)
	SD Card	1 x Micro SD
Display	Type	8" IPS LCD
	Resolution	WUXGA 1200 x 1920
	Brightness	400 cd/m ²
Touchscreen	Type	10-point multi-touch P-CAP touch control
	Construction	Directly bonded Corning® Gorilla® Glass 3
Multimedia	Speaker	1 x Internal speaker (1 W)
	Microphone	1 x Internal microphone for noise suppression
Camera	Front	2-Megapixel camera with fixed focus
	Rear	5-Megapixel camera with auto focus and LED flash
Sensors		Ambient light sensor, e-compass, g-sensor, gyroscope
I/O	Standard I/O	1 x Micro HDMI 1 x Micro USB 2.0 (host and charging) 1 x Micro SIM
	Extended I/O	1 x AIM extension 14-pin pogo connector: 1 x USB 2.0, 1 x 2-wire UART, 5V/1A power 1 x AIM dock 16-pin pogo connector: 1 x USB 3.0, 9V power
	Buttons	1 x Power 2 x Volume control 1 x Hotkey (default function: barcode scanner trigger)
	LED	1 x Power/battery status indicator
Wireless Communication	WLAN/Bluetooth	1. IEEE 802.11 b/g/n, Bluetooth® v4.0 Class2 2. IEEE 802.11 a/b/g/n/ac, Bluetooth® v4.2
	NFC	13.56 MHz, compatible with ISO 15693, ISO 14443A, ISO 14443B, FeliCa
	WWAN	4G LTE multi-device broadband
GNSS	Satellite System (Optional)	GPS, GLONASS
Power	Input Voltage	Micro USB: 5V/3A Dock pogo: 9V/2A
	Battery	Swappable battery: 1S2P 3.8V 18.6W Operating time under 25 °C: 6 hr (depending on usage scenario*) Charging time: 3 hr
Mechanical	Dimensions (W x D x H)	142 x 240 x 14.5 mm (5.59 x 9.44 x 0.57 in)
	Weight	0.6 kg (1.32 lb)
Environment	Operating Temperature	0 ~ 50 °C (32 ~ 122 °F) with battery, -10 ~ 50 °C (14 ~ 122 °F) with AC adaptor
	Storage Temperature	-20 ~ 60 °C (-4 ~ 140 °F)
	IP Rating	IP65
	Shock	Operating: SAE J1455; Non-operating: IEC 60721-3-5 5M3 compliant
	Vibration	SAE J1455
	Drop Tested	Up to 120 cm (4 ft) onto plywood over concrete
	Safety/EMC	UL, CB, LVD + Energy Star 6.1, CE, FCC, IC, VCCI, RCM, CCC, BSMI
Certifications	RED, FCC ID, IC, TELEC, NCC, SRRC, RCM	

Dimensions

Unit: mm



System I/O



Ordering Information

Part Number	Description	Configuration									
		Memory	Storage	NFC	Wi-Fi/BT	LTE	GPS	F-Cam	R-Cam	OS	
AIM-65AT-20101000	8I/2G/32G/WIN10/bgn	2 GB	32 GB	Yes	Yes	-	-	2 MP	5 MP	Win 10 IoT Enterprise	
AIM-65AT-21101000	8I/2G/32G/A6.0/bgn	2 GB	32 GB	Yes	Yes	-	-	2 MP	5 MP	Android 6.0	
AIM-65AT-22301000	8I/4G/64G/WIN10/bgn	4 GB	64 GB	Yes	Yes	-	-	2 MP	5 MP	Win 10 IoT Enterprise	
AIM-65AT-22307000	8I/4G/64G/WIN10/ac	4 GB	64 GB	Yes	Yes (Wi-Fi AC)	-	-	2 MP	5 MP	Win 10 IoT Enterprise	
AIM-65AT-22303000	8I/4G/64G/WIN10/bgn/NA/GPS	4 GB	64 GB	Yes	Yes	Yes (NA)	Yes	2 MP	5 MP	Win 10 IoT Enterprise	
AIM-65AT-22309000	8I/4G/64G/WIN10/bgn/PTCRB_EM/GPS/G	4 GB	64 GB	Yes	Yes	Yes (NA)	Yes	2 MP	5 MP	Win 10 IoT Enterprise	
AIM-65AT-22304000	8I/4G/64G/WIN10/bgn/EU/GPS	4 GB	64 GB	Yes	Yes	Yes (EU)	Yes	2 MP	5 MP	Win 10 IoT Enterprise	
AIM-65AT-23301000	8I/4G/64G/A6.0/bgn	4 GB	64 GB	Yes	Yes	-	-	2 MP	5 MP	Android 6.0	
AIM-65AT-23307000	8I/4G/64G/A6.0/ac	4 GB	64 GB	Yes	Yes (Wi-Fi AC)	-	-	2 MP	5 MP	Android 6.0	
AIM-65AT-23303000	8I/4G/64G/A6.0/bgn/NA/GPS	4 GB	64 GB	Yes	Yes	Yes (NA)	Yes	2 MP	5 MP	Android 6.0	
AIM-65AT-23304000	8I/4G/64G/A6.0/bgn/EU/GPS	4 GB	64 GB	Yes	Yes	Yes (EU)	Yes	2 MP	5 MP	Android 6.0	
AIM-65AT-23309000	8I/4G/64G/A6.0_U/bgn/PTCRB_EM/GPS/G	4 GB	64 GB	Yes	Yes	Yes (NA)	Yes	2 MP	5 MP	Android 6.0	
AIM-65AT-23301TBA	8I/4G/64G/A6.0_U/bgn	4 GB	64 GB	Yes	Yes	-	-	2 MP	5 MP	Android 6.0 for SOTI	
AIM-65AT-23303TBA	8I/4G/64G/A6.0_U/bgn/NA/GPS	4 GB	64 GB	Yes	Yes	Yes (NA)	Yes	2 MP	5 MP	Android 6.0 for SOTI	
AIM-65AT-23304TBA	8I/4G/64G/A6.0_U/bgn/EU/GPS	4 GB	64 GB	Yes	Yes	Yes (EU)	Yes	2 MP	5 MP	Android 6.0 for SOTI	

Optional Accessories

Part Number	Description
XAIM-A16-018N1A	ADP A/D 100-240V 33W 5V 9V DUAL MIRCRO USB
1700001524	Power cord (USA) UL 3P 10A 125V 183 cm
1700008921	Power cord (Japan) PSE 3P 7A 125V 183 cm
1700019146	Power cord (China) CCC 3P 10A 250V 183 cm
1700018553	Power cord (NZ/AU) SAA 3P 10A 250V 183 cm
170203180A	Power cord (UK) BSI 3P 10A 250V 183 cm
170203183C	Power cord (EU) 3P 2.5A 250V 183 cm

Note: Power cords are suitable for AIM-65, AIM-VSD, and AIM-MCS.

Packing List

Description
1 x AIM-65
1 x AC/DC adaptor
1 x Power cord TW

AIM-65 Vehicle Docking Station



Features

- Compatible with 9 ~ 32 V_{DC} in-vehicle power supply
- Rapid single-handed docking and undocking
- Anti-theft locking mechanism
- External GPS antenna
- Programmable function keys
- High-density connector
- Compliant with SAE J1455 for vibration and shock tolerance
- Safe and reliable design for vehicle applications

CE FCC CCC

Specifications

		Fully Configured Unit	Charging Dock Only
I/O	High-Density Connector	1 x CAN bus (supports raw CAN, J1939, OBD-II/ISO 15765) with configurable firmware 5 x Digital inputs 1 x Odometer (supports dry and wet contact) with configurable and switchable firmware (default wet contact) 2 x Digital outputs (supports speed pulse) 1 x RS-232 (4 wire) 1 x RS-232/485 (2 wire) (default RS-485, termination enabled) 1 x USB 2.0 1 x Power output 12V 1A	N/A
GPS	Extended GPS	1 x External GPS antenna	N/A
Function Keys		5 x Programmable function keys	N/A
Key Lock		Anti-theft key lock (key can be removed)	N/A
Power	Input Voltage	Supports 12/24 V vehicle power (9 ~ 32 V _{DC} input range)	
Mechanical	Dimensions (W x D x H)	196 x 76.9 x 212.75 mm (7.71 x 3.02 x 8.37 in)	
	Weight	0.5 kg (1.10 lb)	
Environment	Operating Temperature	-10 ~ 50 °C (14 ~ 122 °F); 0 ~ 40 °C (32 ~ 104 °F) when charging	
	Storage Temperature	-30 ~ 80 °C (-22 ~ 176 °F)	
	IP Rating	IP54	
	Vibration/Shock	SAE J1455	
	Safety	UL, CB, LVD, CCC	
	Vehicle Power Regulation	E-Mark, ISO7637-2	
Certifications		CE, FCC, CCC	

Ordering Information

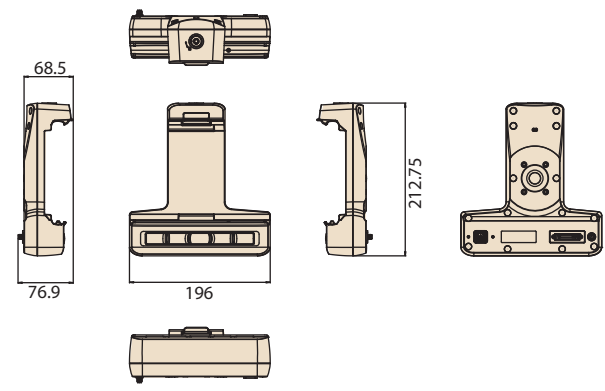
Part Number	Description
AIM-VEH7-0000	AIM vehicle docking station (full configuration)
AIM-VEH7-0010	AIM vehicle docking station (charging only)
1700026766-01	High-density cable
PWS-770-GPSAN00E	External GPS antenna
1700027666-01	Vehicle power cable (In-house engineer testing only)
1700027665-01	Vehicle power cable (vehicle battery)

Packing List

Item	AIM-VEH7-0000	AIM-VEH7-0010
1	1 x Vehicle Dock(Fully I/O)	1 x Vehicle Dock (Charging Only)
2	1 x Vehicle power cable (vehicle battery)	1 x Vehicle power cable (vehicle battery)

Dimensions

Unit: mm



AIM-65 Office /VESA Docking Station



Features

- 9 ~ 32 V wide input voltage range
- VESA (75 x 75 mm)-compliant docking stations
- -10 ~ 50 °C (14 ~122 °F) operating temperature
- Reliable docking connector for office applications

CE FCC

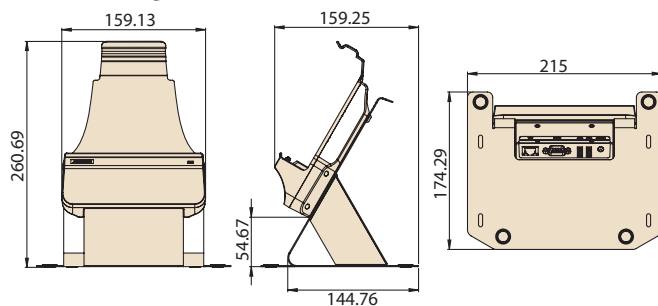
Specifications

		Advanced Office Docking Station	Office Docking Station with USB	Advanced VESA Docking Station	VESA Docking Station with USB
I/O		2 x USB 3.0 1 x RS-232 COM 1 x Gigabit LAN 1 x Power jack	2 x USB 2.0 1 x Power jack	2 x USB 3.0 1 x RS-232 COM 1 x Gigabit LAN 1 x Power jack	2 x USB 2.0 1 x Power jack
	Stand	SECC steel	SECC steel	-	-
Power	Input Voltage	9 ~ 32 V	19 V	9 ~ 32 V	19 V
Mechanical	Dimensions (W x D x H)	215 x 174.29 x 260.69 mm (8.5 x 6.9 x 10.3 in)	215 x 174.29 x 260.69 mm (8.5 x 6.9 x 10.3 in)	160 x 61.8 x 189.2 mm (6.3 x 2.4 x 7.4 in)	160 x 61.8 x 189.2 mm (6.3 x 2.4 x 7.4 in)
	Weight	0.75 kg (1.65 lb)	0.75 kg (1.65 lb)	0.282 kg (0.62 lb)	0.28 kg (0.61 lb)
Environment	Operating Temperature	-10 ~ 50 °C (14 ~122 °F)	-10 ~ 50 °C (14 ~122 °F)	-10 ~ 50 °C (14 ~122 °F)	-10 ~ 50 °C (14 ~122 °F)
	Storage Temperature	-20 ~ 70 °C (-4 ~ 158 °F)	-20 ~ 70 °C (-4 ~ 158 °F)	-20 ~ 70 °C (-4 ~ 158 °F)	-20 ~ 70 °C (-4 ~ 158 °F)
	Safety	UL, CB, LVD, CCC	UL, CB, LVD, CCC	UL, CB, LVD, CCC	UL, CB, LVD, CCC
	Certifications	CE, FCC, CCC	CE, FCC, CCC	CE, FCC, CCC	CE, FCC, CCC

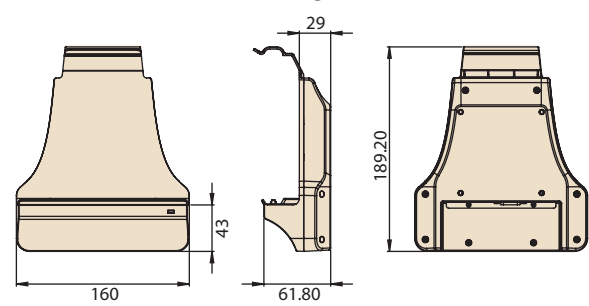
Dimensions

Unit: mm

Office Docking Station



VESA Advanced/VESA Docking Station



Ordering Information

Part Number	Description
AIM-OFDO-0170	AIM 8 advanced office docking station (full I/O configuration)
AIM-OFDO-0171	AIM 8 office docking station (USB)
AIM-VSDO-0170	AIM 8 advanced VESA docking station (Full I/O configuration)
AIM-VSDO-0171	AIM 8 VESA docking station with USB (USB)
AIM-STDO-0000	AIM 8 VESA stand

Optional Accessories

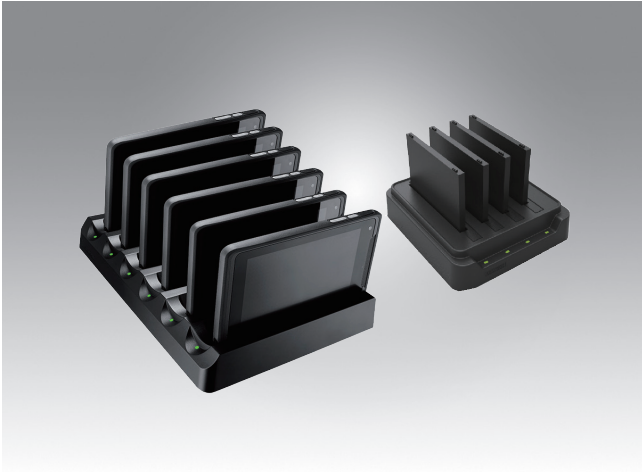
Part Number	Description
96PSA-A65W19V1-1	ADP A/D 100-240V 65W 19V C6 DC PLUG 180°
1700001524	Power cord (USA) UL 3P 10A 125V 183 cm
1700008921	Power cord (Japan) PSE 3P 7A 125V 183 cm
1700019146	Power cord (China) CCC 3P 10A 250V 183 cm
1700018553	Power cord (NZ/AU) SAA 3P 10A 250V 183 cm
170203180A	Power cord (UK) BSI 3P 10A 250V 183 cm
170203183C	Power cord (EU) 3P 2.5A 250V 183 cm

Packing List

Item	AIM-OFDO-0170	AIM-OFDO-0171
1	1 x Office Dock(Advanced I/O)	1 x Office Dock(Charging & USB Only)
2	1 x AC/DC adaptor	1 x AC/DC adaptor
Item	AIM-VSDO-0170	AIM-VSDO-0171
1	1 x VESA Dock(Advanced I/O)	1 x VESA Dock(Charging & USB Only)
2	1 x AC/DC adaptor	1 x AC/DC adaptor

Note: The packing list doesn't include power cord. Please order based on following PNs.

AIM Multi-Bay Charging Station



Features

- Supports charging of up to 6 tablets/4 batteries simultaneously
- Overcurrent and overvoltage protection provided
- Rapid single-handed docking and undocking
- LED indicators for monitoring charging status



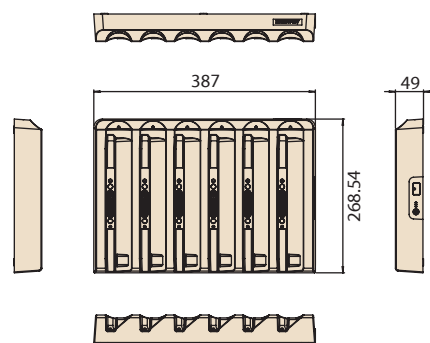
Specifications

		Multi-Tablet Charging Station	Multi-Battery Charging Station
Capacity	Number of Bays	6	4
	Charging Current	2A	2.5A
	Charging Voltage	9 V	4.35 V
Power	Input Voltage	19 V	19 V
	LED Indicators	Green: Full Amber: Charging Red: Error	Green: Full Amber: Charging Red: Error
Mechanical	Dimensions (W x D x H)	387 x 269 x 49 mm (15.23 x 10.59 x 1.92 in)	144 x 155 x 39 mm (5.66 x 6.10 x 1.53 in)
	Weight	1.98 kg (4.36 lb)	0.48 kg (1.05 lb)
Environment	Operating Temperature	0 ~ 40 °C (32 ~ 104 °F)	0 ~ 40 °C (32 ~ 104 °F)
	Storage Temperature	-10 ~ 50 °C (14 ~ 122 °F)	-10 ~ 50 °C (14 ~ 122 °F)
	Safety	UL, CB, LVD, CCC, RCM	UL, CB, LVD, CCC, RCM
	Certifications	CE, FCC, CCC, RCM, BSMI	CE, FCC, CCC, RCM, BSMI

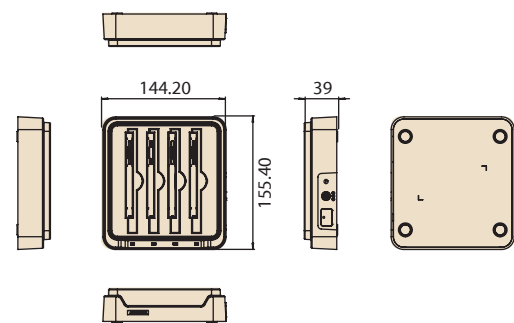
Dimensions

Unit: mm

Multi-Tablet Charging Station



Multi-Battery Charging Station



Ordering Information

Part Number	Description
AIM-CHG0-0150	Multi-tablet charging station for AIM
AIM-MBC0-0051	Multi-battery charging station for AIM

Optional Adapter

Model	Adapter Part Number	Description
AIM-CHG0-0150	96PSA-A120W19V1	ADP A/D 100-240V 120W 19V C6 DC jack
AIM-MBC0-0051	96PSA-A65W19V1-1	ADP A/D 100-240V 65W 19V C6 DC PLUG 180°

Packing List

Item	AIM-MBC0-0051
1	1 x Multi Battery Charger
2	1 x AC/DC adaptor

Note: The packing list doesn't include power cord. Please order based on following PNs.

Optional Power Cord

Part Number	Description
1700001524	Power cord (USA) UL 3P 10A 125V 183 cm
1700008921	Power cord (Japan) PSE 3P 7A 125V 183 cm
1700019146	Power cord (China) CCC 3P 10A 250V 183 cm
1700018553	Power cord (NZ/AU) SAA 3P 10A 250V 183 cm
170203180A	Power cord (UK) BSI 3P 10A 250V 183 cm
170203183C	Power cord (EU) 3P 2.5A 250V 183 cm

AIM-65 Extensions and Accessories

Extension Modules

Barcode Scanner (20°)



Barcode Scanner (70°)



LAN + COM Module



UHF RFID Reader



Part Number	AIM-EXT0-0040	AIM-EXT0-0041	AIM-EXT0-0046	AIM-EXT0-0047 (EU) AIM-EXT0-0049 (US)
Features	<ul style="list-style-type: none"> Sensor: 640 x 480 CMOS sensor Illumination & Aiming: White LED illuminator/Red LED dot aimer Frame rate: 30 fps Field of view: Horizontal: 37.8°; Vertical: 28.8° 	<ul style="list-style-type: none"> Sensor: 640 x 480 CMOS sensor Illumination & Aiming: White LED illuminator/Red LED dot aimer Frame rate: 30 fps Field of view: Horizontal: 37.8°; Vertical: 28.8° 	<ul style="list-style-type: none"> 1 x 10/100 Ethernet port 1 x COM port 	<ul style="list-style-type: none"> RFID output power: 25 watt RFID antenna type: Linear polarization Frequency: EU: 867 ~ 869MHz; US: 913 ~ 917 MHz Tag standard supported: EPC Class 2 Gen. 2/ISO 18000-6C
Dimensions	130.2 x 38.7 x 27.8 mm (5.12 x 1.52 x 1.09 in)	130.2 x 38.7 x 32 mm (5.12 x 1.52 x 1.25 in)	130.2 x 70 x 29 mm (5.12 x 2.75 x 1.14 in)	130.20 x 63.80 x 79.40 mm (5.12 x 2.5 x 3.13 in)
Weight	0.042 kg (0.092 lb)	0.042 kg (0.092 lb)	0.078 kg (0.171 lb)	0.08 kg (0.176 lb)

Accessories

Hand Strap



Shoulder Strap



Holster



Active Stylus



Battery with Meter



Stylus Holder

Part Number	AIM-SRPO-0000	AIM-SRPO-0001	AIM-HOLO-0160	AIM-P704	AIM-BAT0-0252
Features	Black With one stylus holder	Black With one stylus holder	Black	Black	Black
Dimensions	240 x 20 mm (9.44 x 0.78 in)	380 x 135 x 20 mm (14.96 x 5.31 x 0.78 in)	250 x 150 x 30 mm (9.84 x 5.9 x 1.18 in)	140 x 9.7 mm (5.51 x 0.38 in)	98 x 84.5 x 6.5 mm (3.85 x 3.32 x 0.25 in)
Weight	0.022 kg (0.048 lb)	0.05 kg (0.11 lb)	0.23 kg (0.5 lb)	0.02 kg (0.044 lb)	0.104 kg (0.229 lb)

Docking Station

Stylus tether



AG+AR Screen Protective Film



Part Number	AIM-P704A0	AIM-EXT0-0181
Features	Black	Hardness: 2-3H Reflection Rate: 0.15% Haze: 15%
Dimensions	195 mm (7.68 in)	212 x 128 x 0.15 mm (8.35 x 5.04 x 0.006 in)
Weight	0.01 kg (0.02 lb)	0.009 kg (0.02 lb)

AIM-65

8" Industrial-Grade Tablet with Intel® Atom™ Processor



Features

- Intel® Atom™ processor for Windows 10 IoT and AIM Android 6.0
- 8" WUXGA full HD display with scratch-resistant Corning® Gorilla® Glass 3 and multi-touch PCAP control
- WLAN, BT, NFC, 3G/ 4G LTE technology for seamless communications
- Optional extension include 1D/2D barcode scanner, LAN+COM module, UHF RFID module
- Light weight design and multi-tablet charging station allows to reduce downtime of operations

SOTI

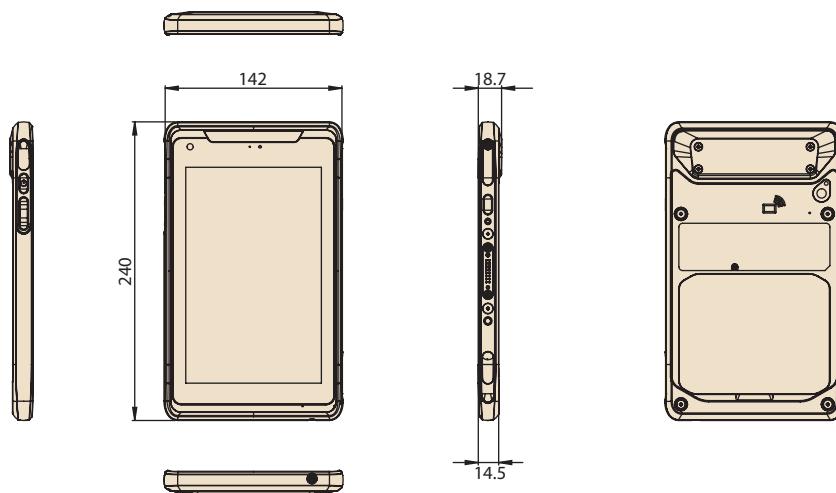


Specifications

System	Processor	Intel® Atom™ quad-core x5-Z8350 (1.44 GHz)
	Memory	2/4 GB (default 2 GB)
	OS	Windows 10 IoT Enterprise, Android 6.0
Storage	eMMC	32/64 GB (default 32 GB)
	SD Card	1 x Micro SD
Display	Type	8" IPS LCD
	Resolution	WUXGA 1200 x 1920
	Brightness	400 cd/m ²
Touchscreen	Type	10-point multi-touch P-CAP touch control
	Construction	Directly bonded Corning® Gorilla® Glass 3
Multimedia	Speaker	1 x Internal speaker (1 W)
	Microphone	1 x Internal microphone for noise suppression
Camera	Front	2-Megapixel camera with fixed focus
	Rear	5-Megapixel camera with auto focus and LED flash
Sensors		Ambient light sensor, e-compass, g-sensor, gyroscope
I/O	Standard I/O	1 x Micro HDMI 1 x Micro USB 2.0 (host and charging) 1 x Micro SIM
	Extended I/O	1 x AIM extension 14-pin pogo connector: 1 x USB 2.0, 1 x 2-wire UART, 5V/1A power 1 x AIM dock 16-pin pogo connector: 1 x USB 3.0, 9V power
	Buttons	1 x Power 2 x Volume control 1 x Hotkey (default function: barcode scanner trigger)
	LED	1 x Power/battery status indicator
Wireless Communication	WLAN/Bluetooth	1. IEEE 802.11 b/g/n, Bluetooth® v4.0 Class2 2. IEEE 802.11 a/b/g/n/ac, Bluetooth® v4.2
	NFC	13.56 MHz, compatible with ISO 15693, ISO 14443A, ISO 14443B, FeliCa
	WWAN	4G LTE multi-device broadband
GNSS	Satellite System (Optional)	GPS, GLONASS
Power	Input Voltage	Micro USB: 5V/3A Dock pogo: 9V/2A
	Battery	Swappable battery: 1S2P 3.8V 18.6W Operating time under 25 °C: 6 hr (depending on usage scenario*) Charging time: 3 hr
Mechanical	Dimensions (W x D x H)	142 x 240 x 14.5 mm (5.59 x 9.44 x 0.57 in)
	Weight	0.6 kg (1.32 lb)
Environment	Operating Temperature	0 ~ 50 °C (32 ~ 122 °F) with battery, -10 ~ 50 °C (14 ~ 122 °F) with AC adaptor
	Storage Temperature	-20 ~ 60 °C (-4 ~ 140 °F)
	IP Rating	IP65
	Shock	Operating: SAE J1455; Non-operating: IEC 60721-3-5 5M3 compliant
	Vibration	SAE J1455
	Drop Tested	Up to 120 cm (4 ft) onto plywood over concrete
	Safety/EMC	UL, CB, LVD + Energy Star 6.1, CE, FCC, IC, VCCI, RCM, CCC, BSMI
Certifications	RED, FCC ID, IC, TELEC, NCC, SRRC, RCM	

Dimensions

Unit: mm



System I/O



Ordering Information

Part Number	Description	Configuration									
		Memory	Storage	NFC	Wi-Fi/BT	LTE	GPS	F-Cam	R-Cam	OS	
AIM-65AT-20101000	8I/2G/32G/WIN10/bgn	2 GB	32 GB	Yes	Yes	-	-	2 MP	5 MP	Win 10 IoT Enterprise	
AIM-65AT-21101000	8I/2G/32G/A6.0/bgn	2 GB	32 GB	Yes	Yes	-	-	2 MP	5 MP	Android 6.0	
AIM-65AT-22301000	8I/4G/64G/WIN10/bgn	4 GB	64 GB	Yes	Yes	-	-	2 MP	5 MP	Win 10 IoT Enterprise	
AIM-65AT-22307000	8I/4G/64G/WIN10/ac	4 GB	64 GB	Yes	Yes (Wi-Fi AC)	-	-	2 MP	5 MP	Win 10 IoT Enterprise	
AIM-65AT-22303000	8I/4G/64G/WIN10/bgn/NA/GPS	4 GB	64 GB	Yes	Yes	Yes (NA)	Yes	2 MP	5 MP	Win 10 IoT Enterprise	
AIM-65AT-22309000	8I/4G/64G/WIN10/bgn/PTCRB_EM/GPS/G	4 GB	64 GB	Yes	Yes	Yes (NA)	Yes	2 MP	5 MP	Win 10 IoT Enterprise	
AIM-65AT-22304000	8I/4G/64G/WIN10/bgn/EU/GPS	4 GB	64 GB	Yes	Yes	Yes (EU)	Yes	2 MP	5 MP	Win 10 IoT Enterprise	
AIM-65AT-23301000	8I/4G/64G/A6.0/bgn	4 GB	64 GB	Yes	Yes	-	-	2 MP	5 MP	Android 6.0	
AIM-65AT-23307000	8I/4G/64G/A6.0/ac	4 GB	64 GB	Yes	Yes (Wi-Fi AC)	-	-	2 MP	5 MP	Android 6.0	
AIM-65AT-23303000	8I/4G/64G/A6.0/bgn/NA/GPS	4 GB	64 GB	Yes	Yes	Yes (NA)	Yes	2 MP	5 MP	Android 6.0	
AIM-65AT-23304000	8I/4G/64G/A6.0/bgn/EU/GPS	4 GB	64 GB	Yes	Yes	Yes (EU)	Yes	2 MP	5 MP	Android 6.0	
AIM-65AT-23309000	8I/4G/64G/A6.0_U/bgn/PTCRB_EM/GPS/G	4 GB	64 GB	Yes	Yes	Yes (NA)	Yes	2 MP	5 MP	Android 6.0	
AIM-65AT-23301TBA	8I/4G/64G/A6.0_U/bgn	4 GB	64 GB	Yes	Yes	-	-	2 MP	5 MP	Android 6.0 for SOTI	
AIM-65AT-23303TBA	8I/4G/64G/A6.0_U/bgn/NA/GPS	4 GB	64 GB	Yes	Yes	Yes (NA)	Yes	2 MP	5 MP	Android 6.0 for SOTI	
AIM-65AT-23304TBA	8I/4G/64G/A6.0_U/bgn/EU/GPS	4 GB	64 GB	Yes	Yes	Yes (EU)	Yes	2 MP	5 MP	Android 6.0 for SOTI	

Optional Accessories

Part Number	Description
XAIM-A16-018N1A	ADP A/D 100-240V 33W 5V 9V DUAL MIRC0 USB
1700001524	Power cord (USA) UL 3P 10A 125V 183 cm
1700008921	Power cord (Japan) PSE 3P 7A 125V 183 cm
1700019146	Power cord (China) CCC 3P 10A 250V 183 cm
1700018553	Power cord (NZ/AU) SAA 3P 10A 250V 183 cm
170203180A	Power cord (UK) BSI 3P 10A 250V 183 cm
170203183C	Power cord (EU) 3P 2.5A 250V 183 cm

Note: Power cords are suitable for AIM-65, AIM-VSD, and AIM-MCS.

Packing List

Description
1 x AIM-65
1 x AC/DC adaptor
1 x Power cord TW

AIM-65 Vehicle Docking Station



Features

- Compatible with 9 ~ 32 V_{DC} in-vehicle power supply
- Rapid single-handed docking and undocking
- Anti-theft locking mechanism
- External GPS antenna
- Programmable function keys
- High-density connector
- Compliant with SAE J1455 for vibration and shock tolerance
- Safe and reliable design for vehicle applications

CE FCC CCC

Specifications

		Fully Configured Unit	Charging Dock Only
I/O	High-Density Connector	1 x CAN bus (supports raw CAN, J1939, OBD-II/ISO 15765) with configurable firmware	
		5 x Digital inputs	
		1 x Odometer (supports dry and wet contact) with configurable and switchable firmware (default wet contact)	N/A
		2 x Digital outputs (supports speed pulse)	
		1 x RS-232 (4 wire)	
		1 x RS-232/485 (2 wire) (default RS-485, termination enabled)	
		1 x USB 2.0	
		1 x Power output 12V 1A	
GPS	Extended GPS	1 x External GPS antenna	N/A
Function Keys		5 x Programmable function keys	N/A
Key Lock		Anti-theft key lock (key can be removed)	N/A
Power	Input Voltage	Supports 12/24 V vehicle power (9 ~ 32 V _{DC} input range)	
Mechanical	Dimensions (W x D x H)	196 x 76.9 x 212.75 mm (7.71 x 3.02 x 8.37 in)	
	Weight	0.5 kg (1.10 lb)	
Environment	Operating Temperature	-10 ~ 50 °C (14 ~ 122 °F); 0 ~ 40 °C (32 ~ 104 °F) when charging	
	Storage Temperature	-30 ~ 80 °C (-22 ~ 176 °F)	
	IP Rating	IP54	
	Vibration/Shock	SAE J1455	
	Safety	UL, CB, LVD, CCC	
	Vehicle Power Regulation	E-Mark, ISO7637-2	
	Certifications	CE, FCC, CCC	

Ordering Information

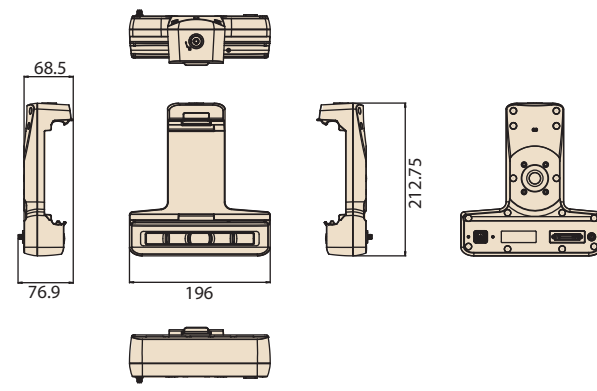
Part Number	Description
AIM-VEH7-0000	AIM vehicle docking station (full configuration)
AIM-VEH7-0010	AIM vehicle docking station (charging only)
1700026766-01	High-density cable
PWS-770-GPSAN00E	External GPS antenna
1700027666-01	Vehicle power cable (In-house engineer testing only)
1700027665-01	Vehicle power cable (vehicle battery)

Packing List

Item	AIM-VEH7-0000	AIM-VEH7-0010
1	1 x Vehicle Dock(Fully I/O)	1 x Vehicle Dock (Charging Only)
2	1 x Vehicle power cable (vehicle battery)	1 x Vehicle power cable (vehicle battery)

Dimensions

Unit: mm



AIM-65 Office /VESA Docking Station



Features

- 9 ~ 32 V wide input voltage range
- VESA (75 x 75 mm)-compliant docking stations
- -10 ~ 50 °C (14 ~122 °F) operating temperature
- Reliable docking connector for office applications

CE FCC

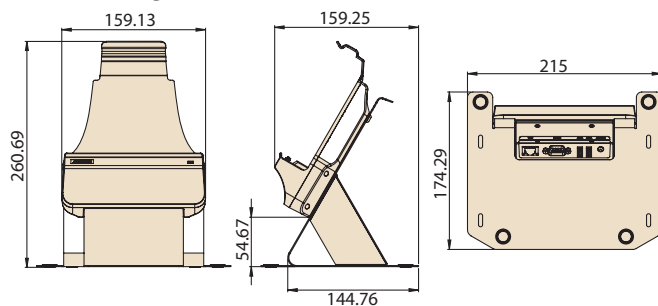
Specifications

		Advanced Office Docking Station	Office Docking Station with USB	Advanced VESA Docking Station	VESA Docking Station with USB
I/O		2 x USB 3.0 1 x RS-232 COM 1 x Gigabit LAN 1 x Power jack	2 x USB 2.0 1 x Power jack	2 x USB 3.0 1 x RS-232 COM 1 x Gigabit LAN 1 x Power jack	2 x USB 2.0 1 x Power jack
	Stand	SECC steel	SECC steel	-	-
Power	Input Voltage	9 ~ 32 V	19 V	9 ~ 32 V	19 V
Mechanical	Dimensions (W x D x H)	215 x 174.29 x 260.69 mm (8.5 x 6.9 x 10.3 in)	215 x 174.29 x 260.69 mm (8.5 x 6.9 x 10.3 in)	160 x 61.8 x 189.2 mm (6.3 x 2.4 x 7.4 in)	160 x 61.8 x 189.2 mm (6.3 x 2.4 x 7.4 in)
	Weight	0.75 kg (1.65 lb)	0.75 kg (1.65 lb)	0.282 kg (0.62 lb)	0.28 kg (0.61 lb)
Environment	Operating Temperature	-10 ~ 50 °C (14 ~122 °F)	-10 ~ 50 °C (14 ~122 °F)	-10 ~ 50 °C (14 ~122 °F)	-10 ~ 50 °C (14 ~122 °F)
	Storage Temperature	-20 ~ 70 °C (-4 ~ 158 °F)	-20 ~ 70 °C (-4 ~ 158 °F)	-20 ~ 70 °C (-4 ~ 158 °F)	-20 ~ 70 °C (-4 ~ 158 °F)
	Safety	UL, CB, LVD, CCC	UL, CB, LVD, CCC	UL, CB, LVD, CCC	UL, CB, LVD, CCC
	Certifications	CE, FCC, CCC	CE, FCC, CCC	CE, FCC, CCC	CE, FCC, CCC

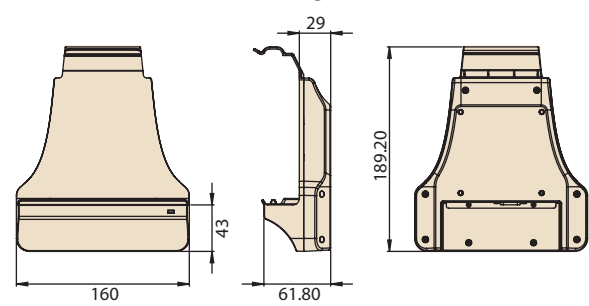
Dimensions

Unit: mm

Office Docking Station



VESA Advanced/VESA Docking Station



Ordering Information

Part Number	Description
AIM-OFDO-0170	AIM 8 advanced office docking station (full I/O configuration)
AIM-OFDO-0171	AIM 8 office docking station (USB)
AIM-VSDO-0170	AIM 8 advanced VESA docking station (Full I/O configuration)
AIM-VSDO-0171	AIM 8 VESA docking station with USB (USB)
AIM-STDO-0000	AIM 8 VESA stand

Optional Accessories

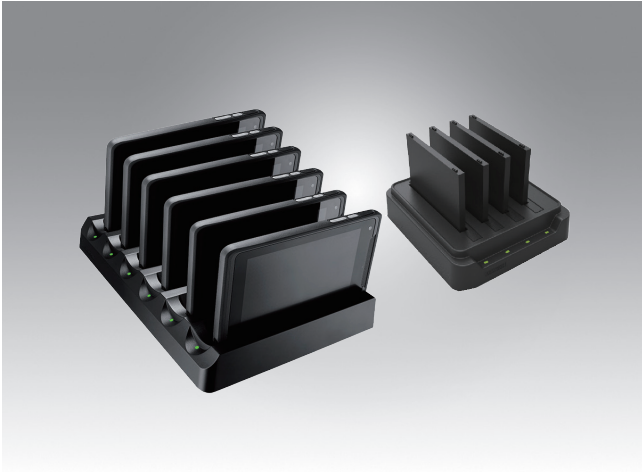
Part Number	Description
96PSA-A65W19V1-1	ADP A/D 100-240V 65W 19V C6 DC PLUG 180°
1700001524	Power cord (USA) UL 3P 10A 125V 183 cm
1700008921	Power cord (Japan) PSE 3P 7A 125V 183 cm
1700019146	Power cord (China) CCC 3P 10A 250V 183 cm
1700018553	Power cord (NZ/AU) SAA 3P 10A 250V 183 cm
170203180A	Power cord (UK) BSI 3P 10A 250V 183 cm
170203183C	Power cord (EU) 3P 2.5A 250V 183 cm

Packing List

Item	AIM-OFDO-0170	AIM-OFDO-0171
1	1 x Office Dock(Advanced I/O)	1 x Office Dock(Charging & USB Only)
2	1 x AC/DC adaptor	1 x AC/DC adaptor
Item	AIM-VSDO-0170	AIM-VSDO-0171
1	1 x VESA Dock(Advanced I/O)	1 x VESA Dock(Charging & USB Only)
2	1 x AC/DC adaptor	1 x AC/DC adaptor

Note: The packing list doesn't include power cord. Please order based on following PNs.

AIM Multi-Bay Charging Station



Features

- Supports charging of up to 6 tablets/4 batteries simultaneously
- Overcurrent and overvoltage protection provided
- Rapid single-handed docking and undocking
- LED indicators for monitoring charging status

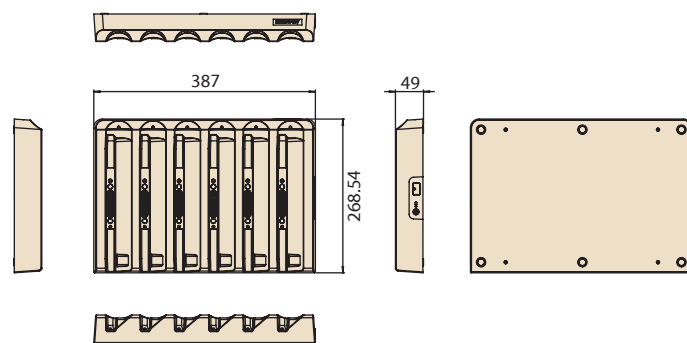
Specifications

		Multi-Tablet Charging Station	Multi-Battery Charging Station
Capacity	Number of Bays	6	4
	Charging Current	2A	2.5A
	Charging Voltage	9 V	4.35 V
Power	Input Voltage	19 V	19 V
	LED Indicators	Green: Full Amber: Charging Red: Error	Green: Full Amber: Charging Red: Error
Mechanical	Dimensions (W x D x H)	387 x 269 x 49 mm (15.23 x 10.59 x 1.92 in)	144 x 155 x 39 mm (5.66 x 6.10 x 1.53 in)
	Weight	1.98 kg (4.36 lb)	0.48 kg (1.05 lb)
Environment	Operating Temperature	0 ~ 40 °C (32 ~ 104 °F)	0 ~ 40 °C (32 ~ 104 °F)
	Storage Temperature	-10 ~ 50 °C (14 ~ 122 °F)	-10 ~ 50 °C (14 ~ 122 °F)
	Safety	UL, CB, LVD, CCC, RCM	UL, CB, LVD, CCC, RCM
	Certifications	CE, FCC, CCC, RCM, BSMI	CE, FCC, CCC, RCM, BSMI

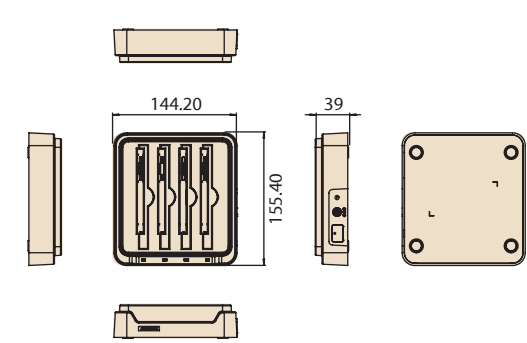
Dimensions

Unit: mm

Multi-Tablet Charging Station



Multi-Battery Charging Station



Ordering Information

Part Number	Description
AIM-CHG0-0150	Multi-tablet charging station for AIM
AIM-MBC0-0051	Multi-battery charging station for AIM

Optional Adapter

Model	Adapter Part Number	Description
AIM-CHG0-0150	96PSA-A120W19V1	ADP A/D 100-240V 120W 19V C6 DC jack
AIM-MBC0-0051	96PSA-A65W19V1-1	ADP A/D 100-240V 65W 19V C6 DC PLUG 180°

Packing List

Item	AIM-MBC0-0051
1	1 x Multi Battery Charger
2	1 x AC/DC adaptor

Note: The packing list doesn't include power cord. Please order based on following PNs.

Optional Power Cord

Part Number	Description
1700001524	Power cord (USA) UL 3P 10A 125V 183 cm
1700008921	Power cord (Japan) PSE 3P 7A 125V 183 cm
1700019146	Power cord (China) CCC 3P 10A 250V 183 cm
1700018553	Power cord (NZ/AU) SAA 3P 10A 250V 183 cm
170203180A	Power cord (UK) BSI 3P 10A 250V 183 cm
170203183C	Power cord (EU) 3P 2.5A 250V 183 cm

AIM-65 Extensions and Accessories

Extension Modules

Barcode Scanner (20°)



Barcode Scanner (70°)



LAN + COM Module



UHF RFID Reader



Part Number	AIM-EXT0-0040	AIM-EXT0-0041	AIM-EXT0-0046	AIM-EXT0-0047 (EU) AIM-EXT0-0049 (US)
Features	<ul style="list-style-type: none"> Sensor: 640 x 480 CMOS sensor Illumination & Aiming: White LED illuminator/Red LED dot aimer Frame rate: 30 fps Field of view: Horizontal: 37.8°; Vertical: 28.8° 	<ul style="list-style-type: none"> Sensor: 640 x 480 CMOS sensor Illumination & Aiming: White LED illuminator/Red LED dot aimer Frame rate: 30 fps Field of view: Horizontal: 37.8°; Vertical: 28.8° 	<ul style="list-style-type: none"> 1 x 10/100 Ethernet port 1 x COM port 	<ul style="list-style-type: none"> RFID output power: 25 watt RFID antenna type: Linear polarization Frequency: EU: 867 ~ 869MHz; US: 913 ~ 917 MHz Tag standard supported: EPC Class 2 Gen. 2/ISO 18000-6C
Dimensions	130.2 x 38.7 x 27.8 mm (5.12 x 1.52 x 1.09 in)	130.2 x 38.7 x 32 mm (5.12 x 1.52 x 1.25 in)	130.2 x 70 x 29 mm (5.12 x 2.75 x 1.14 in)	130.20 x 63.80 x 79.40 mm (5.12 x 2.5 x 3.13 in)
Weight	0.042 kg (0.092 lb)	0.042 kg (0.092 lb)	0.078 kg (0.171 lb)	0.08 kg (0.176 lb)

Accessories

Hand Strap



Shoulder Strap



Holster



Active Stylus



Battery with Meter



Stylus Holder

Part Number	AIM-SRPO-0000	AIM-SRPO-0001	AIM-HOLO-0160	AIM-P704	AIM-BAT0-0252
Features	Black With one stylus holder	Black With one stylus holder	Black	Black	Black
Dimensions	240 x 20 mm (9.44 x 0.78 in)	380 x 135 x 20 mm (14.96 x 5.31 x 0.78 in)	250 x 150 x 30 mm (9.84 x 5.9 x 1.18 in)	140 x 9.7 mm (5.51 x 0.38 in)	98 x 84.5 x 6.5 mm (3.85 x 3.32 x 0.25 in)
Weight	0.022 kg (0.048 lb)	0.05 kg (0.11 lb)	0.23 kg (0.5 lb)	0.02 kg (0.044 lb)	0.104 kg (0.229 lb)

Docking Station

Stylus tether



AG+AR Screen Protective Film



Part Number	AIM-P704A0	AIM-EXT0-0181
Features	Black	Hardness: 2-3H Reflection Rate: 0.15% Haze: 15%
Dimensions	195 mm (7.68 in)	212 x 128 x 0.15 mm (8.35 x 5.04 x 0.006 in)
Weight	0.01 kg (0.02 lb)	0.009 kg (0.02 lb)

AIM-65

8" Industrial-Grade Tablet with Intel® Atom™ Processor



Features

- Intel® Atom™ processor for Windows 10 IoT and AIM Android 6.0
- 8" WUXGA full HD display with scratch-resistant Corning® Gorilla® Glass 3 and multi-touch PCAP control
- WLAN, BT, NFC, 3G/ 4G LTE technology for seamless communications
- Optional extension include 1D/2D barcode scanner, LAN+COM module, UHF RFID module
- Light weight design and multi-tablet charging station allows to reduce downtime of operations

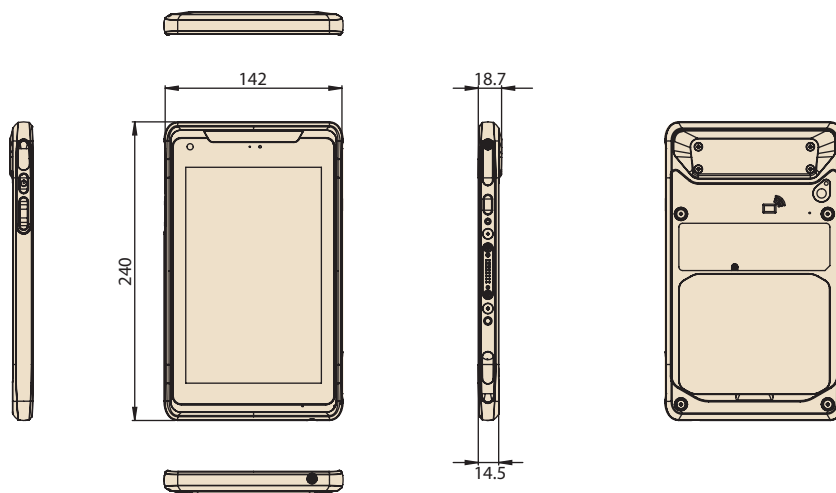


Specifications

System	Processor	Intel® Atom™ quad-core x5-Z8350 (1.44 GHz)
	Memory	2/4 GB (default 2 GB)
	OS	Windows 10 IoT Enterprise, Android 6.0
Storage	eMMC	32/64 GB (default 32 GB)
	SD Card	1 x Micro SD
Display	Type	8" IPS LCD
	Resolution	WUXGA 1200 x 1920
	Brightness	400 cd/m ²
Touchscreen	Type	10-point multi-touch P-CAP touch control
	Construction	Directly bonded Corning® Gorilla® Glass 3
Multimedia	Speaker	1 x Internal speaker (1 W)
	Microphone	1 x Internal microphone for noise suppression
Camera	Front	2-Megapixel camera with fixed focus
	Rear	5-Megapixel camera with auto focus and LED flash
Sensors		Ambient light sensor, e-compass, g-sensor, gyroscope
I/O	Standard I/O	1 x Micro HDMI 1 x Micro USB 2.0 (host and charging) 1 x Micro SIM
	Extended I/O	1 x AIM extension 14-pin pogo connector: 1 x USB 2.0, 1 x 2-wire UART, 5V/1A power 1 x AIM dock 16-pin pogo connector: 1 x USB 3.0, 9V power
	Buttons	1 x Power 2 x Volume control 1 x Hotkey (default function: barcode scanner trigger)
	LED	1 x Power/battery status indicator
Wireless Communication	WLAN/Bluetooth	1. IEEE 802.11 b/g/n, Bluetooth® v4.0 Class2 2. IEEE 802.11 a/b/g/n/ac, Bluetooth® v4.2
	NFC	13.56 MHz, compatible with ISO 15693, ISO 14443A, ISO 14443B, FeliCa
	WWAN	4G LTE multi-device broadband
GNSS	Satellite System (Optional)	GPS, GLONASS
Power	Input Voltage	Micro USB: 5V/3A Dock pogo: 9V/2A
	Battery	Swappable battery: 1S2P 3.8V 18.6W Operating time under 25 °C: 6 hr (depending on usage scenario*) Charging time: 3 hr
Mechanical	Dimensions (W x D x H)	142 x 240 x 14.5 mm (5.59 x 9.44 x 0.57 in)
	Weight	0.6 kg (1.32 lb)
Environment	Operating Temperature	0 ~ 50 °C (32 ~ 122 °F) with battery, -10 ~ 50 °C (14 ~ 122 °F) with AC adaptor
	Storage Temperature	-20 ~ 60 °C (-4 ~ 140 °F)
	IP Rating	IP65
	Shock	Operating: SAE J1455; Non-operating: IEC 60721-3-5 5M3 compliant
	Vibration	SAE J1455
	Drop Tested	Up to 120 cm (4 ft) onto plywood over concrete
	Safety/EMC	UL, CB, LVD + Energy Star 6.1, CE, FCC, IC, VCCI, RCM, CCC, BSMI
Certifications	RED, FCC ID, IC, TELEC, NCC, SRRC, RCM	

Dimensions

Unit: mm



System I/O



Ordering Information

Part Number	Description	Configuration									
		Memory	Storage	NFC	Wi-Fi/BT	LTE	GPS	F-Cam	R-Cam	OS	
AIM-65AT-20101000	8I/2G/32G/WIN10/bgn	2 GB	32 GB	Yes	Yes	-	-	2 MP	5 MP	Win 10 IoT Enterprise	
AIM-65AT-21101000	8I/2G/32G/A6.0/bgn	2 GB	32 GB	Yes	Yes	-	-	2 MP	5 MP	Android 6.0	
AIM-65AT-22301000	8I/4G/64G/WIN10/bgn	4 GB	64 GB	Yes	Yes	-	-	2 MP	5 MP	Win 10 IoT Enterprise	
AIM-65AT-22307000	8I/4G/64G/WIN10/ac	4 GB	64 GB	Yes	Yes (Wi-Fi AC)	-	-	2 MP	5 MP	Win 10 IoT Enterprise	
AIM-65AT-22303000	8I/4G/64G/WIN10/bgn/NA/GPS	4 GB	64 GB	Yes	Yes	Yes (NA)	Yes	2 MP	5 MP	Win 10 IoT Enterprise	
AIM-65AT-22309000	8I/4G/64G/WIN10/bgn/PTCRB_EM/GPS/G	4 GB	64 GB	Yes	Yes	Yes (NA)	Yes	2 MP	5 MP	Win 10 IoT Enterprise	
AIM-65AT-22304000	8I/4G/64G/WIN10/bgn/EU/GPS	4 GB	64 GB	Yes	Yes	Yes (EU)	Yes	2 MP	5 MP	Win 10 IoT Enterprise	
AIM-65AT-23301000	8I/4G/64G/A6.0/bgn	4 GB	64 GB	Yes	Yes	-	-	2 MP	5 MP	Android 6.0	
AIM-65AT-23307000	8I/4G/64G/A6.0/ac	4 GB	64 GB	Yes	Yes (Wi-Fi AC)	-	-	2 MP	5 MP	Android 6.0	
AIM-65AT-23303000	8I/4G/64G/A6.0/bgn/NA/GPS	4 GB	64 GB	Yes	Yes	Yes (NA)	Yes	2 MP	5 MP	Android 6.0	
AIM-65AT-23304000	8I/4G/64G/A6.0/bgn/EU/GPS	4 GB	64 GB	Yes	Yes	Yes (EU)	Yes	2 MP	5 MP	Android 6.0	
AIM-65AT-23309000	8I/4G/64G/A6.0_U/bgn/PTCRB_EM/GPS/G	4 GB	64 GB	Yes	Yes	Yes (NA)	Yes	2 MP	5 MP	Android 6.0	
AIM-65AT-23301TBA	8I/4G/64G/A6.0_U/bgn	4 GB	64 GB	Yes	Yes	-	-	2 MP	5 MP	Android 6.0 for SOTI	
AIM-65AT-23303TBA	8I/4G/64G/A6.0_U/bgn/NA/GPS	4 GB	64 GB	Yes	Yes	Yes (NA)	Yes	2 MP	5 MP	Android 6.0 for SOTI	
AIM-65AT-23304TBA	8I/4G/64G/A6.0_U/bgn/EU/GPS	4 GB	64 GB	Yes	Yes	Yes (EU)	Yes	2 MP	5 MP	Android 6.0 for SOTI	

Optional Accessories

Part Number	Description
XAIM-A16-018N1A	ADP A/D 100-240V 33W 5V 9V DUAL MIRC0 USB
1700001524	Power cord (USA) UL 3P 10A 125V 183 cm
1700008921	Power cord (Japan) PSE 3P 7A 125V 183 cm
1700019146	Power cord (China) CCC 3P 10A 250V 183 cm
1700018553	Power cord (NZ/AU) SAA 3P 10A 250V 183 cm
170203180A	Power cord (UK) BSI 3P 10A 250V 183 cm
170203183C	Power cord (EU) 3P 2.5A 250V 183 cm

Note: Power cords are suitable for AIM-65, AIM-VSD, and AIM-MCS.

Packing List

Description
1 x AIM-65
1 x AC/DC adaptor
1 x Power cord TW

AIM-65 Vehicle Docking Station



Features

- Compatible with 9 ~ 32 V_{DC} in-vehicle power supply
- Rapid single-handed docking and undocking
- Anti-theft locking mechanism
- External GPS antenna
- Programmable function keys
- High-density connector
- Compliant with SAE J1455 for vibration and shock tolerance
- Safe and reliable design for vehicle applications

CE FCC CCC

Specifications

		Fully Configured Unit	Charging Dock Only
I/O	High-Density Connector	1 x CAN bus (supports raw CAN, J1939, OBD-II/ISO 15765) with configurable firmware 5 x Digital inputs 1 x Odometer (supports dry and wet contact) with configurable and switchable firmware (default wet contact) 2 x Digital outputs (supports speed pulse) 1 x RS-232 (4 wire) 1 x RS-232/485 (2 wire) (default RS-485, termination enabled) 1 x USB 2.0 1 x Power output 12V 1A	N/A
GPS	Extended GPS	1 x External GPS antenna	N/A
Function Keys		5 x Programmable function keys	N/A
Key Lock		Anti-theft key lock (key can be removed)	N/A
Power	Input Voltage	Supports 12/24 V vehicle power (9 ~ 32 V _{DC} input range)	
Mechanical	Dimensions (W x D x H)	196 x 76.9 x 212.75 mm (7.71 x 3.02 x 8.37 in)	
	Weight	0.5 kg (1.10 lb)	
Environment	Operating Temperature	-10 ~ 50 °C (14 ~ 122 °F); 0 ~ 40 °C (32 ~ 104 °F) when charging	
	Storage Temperature	-30 ~ 80 °C (-22 ~ 176 °F)	
	IP Rating	IP54	
	Vibration/Shock	SAE J1455	
	Safety	UL, CB, LVD, CCC	
	Vehicle Power Regulation	E-Mark, ISO7637-2	
Certifications		CE, FCC, CCC	

Ordering Information

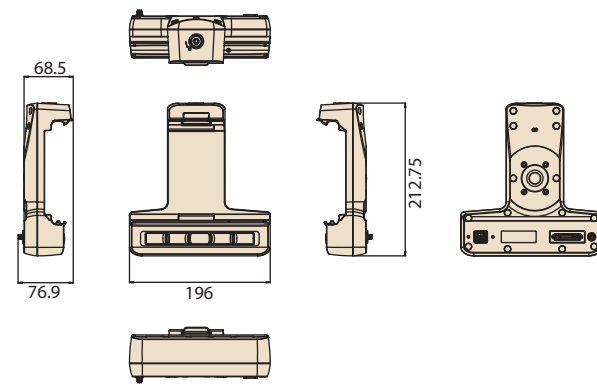
Part Number	Description
AIM-VEH7-0000	AIM vehicle docking station (full configuration)
AIM-VEH7-0010	AIM vehicle docking station (charging only)
1700026766-01	High-density cable
PWS-770-GPSAN00E	External GPS antenna
1700027666-01	Vehicle power cable (In-house engineer testing only)
1700027665-01	Vehicle power cable (vehicle battery)

Packing List

Item	AIM-VEH7-0000	AIM-VEH7-0010
1	1 x Vehicle Dock(Fully I/O)	1 x Vehicle Dock (Charging Only)
2	1 x Vehicle power cable (vehicle battery)	1 x Vehicle power cable (vehicle battery)

Dimensions

Unit: mm



AIM-65 Office /VESA Docking Station



Features

- 9 ~ 32 V wide input voltage range
- VESA (75 x 75 mm)-compliant docking stations
- -10 ~ 50 °C (14 ~122 °F) operating temperature
- Reliable docking connector for office applications

CE FCC

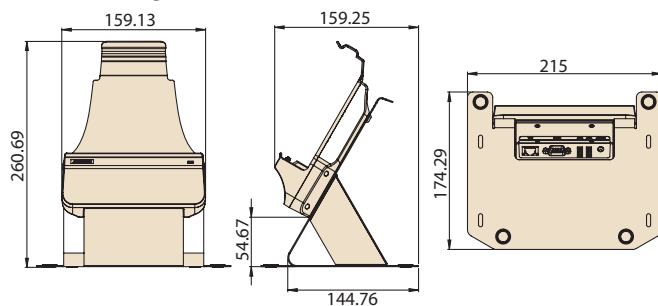
Specifications

		Advanced Office Docking Station	Office Docking Station with USB	Advanced VESA Docking Station	VESA Docking Station with USB
I/O		2 x USB 3.0 1 x RS-232 COM 1 x Gigabit LAN 1 x Power jack	2 x USB 2.0 1 x Power jack	2 x USB 3.0 1 x RS-232 COM 1 x Gigabit LAN 1 x Power jack	2 x USB 2.0 1 x Power jack
	Stand	SECC steel	SECC steel	-	-
Power	Input Voltage	9 ~ 32 V	19 V	9 ~ 32 V	19 V
Mechanical	Dimensions (W x D x H)	215 x 174.29 x 260.69 mm (8.5 x 6.9 x 10.3 in)	215 x 174.29 x 260.69 mm (8.5 x 6.9 x 10.3 in)	160 x 61.8 x 189.2 mm (6.3 x 2.4 x 7.4 in)	160 x 61.8 x 189.2 mm (6.3 x 2.4 x 7.4 in)
	Weight	0.75 kg (1.65 lb)	0.75 kg (1.65 lb)	0.282 kg (0.62 lb)	0.28 kg (0.61 lb)
Environment	Operating Temperature	-10 ~ 50 °C (14 ~122 °F)	-10 ~ 50 °C (14 ~122 °F)	-10 ~ 50 °C (14 ~122 °F)	-10 ~ 50 °C (14 ~122 °F)
	Storage Temperature	-20 ~ 70 °C (-4 ~ 158 °F)	-20 ~ 70 °C (-4 ~ 158 °F)	-20 ~ 70 °C (-4 ~ 158 °F)	-20 ~ 70 °C (-4 ~ 158 °F)
	Safety	UL, CB, LVD, CCC	UL, CB, LVD, CCC	UL, CB, LVD, CCC	UL, CB, LVD, CCC
	Certifications	CE, FCC, CCC	CE, FCC, CCC	CE, FCC, CCC	CE, FCC, CCC

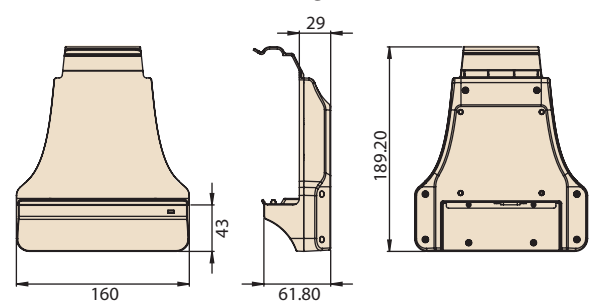
Dimensions

Unit: mm

Office Docking Station



VESA Advanced/VESA Docking Station



Ordering Information

Part Number	Description
AIM-OFDO-0170	AIM 8 advanced office docking station (full I/O configuration)
AIM-OFDO-0171	AIM 8 office docking station (USB)
AIM-VSDO-0170	AIM 8 advanced VESA docking station (Full I/O configuration)
AIM-VSDO-0171	AIM 8 VESA docking station with USB (USB)
AIM-STDO-0000	AIM 8 VESA stand

Optional Accessories

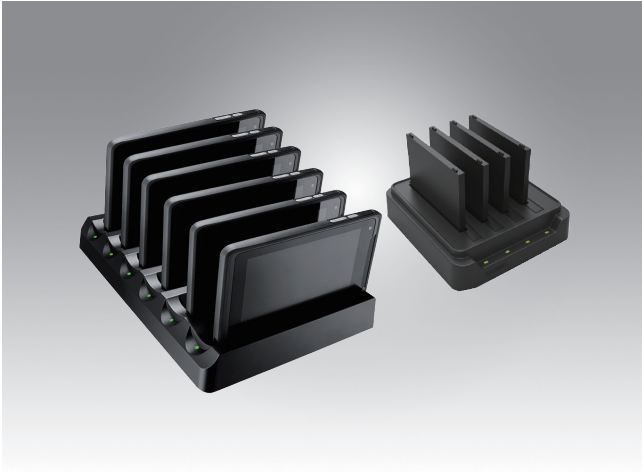
Part Number	Description
96PSA-A65W19V1-1	ADP A/D 100-240V 65W 19V C6 DC PLUG 180°
1700001524	Power cord (USA) UL 3P 10A 125V 183 cm
1700008921	Power cord (Japan) PSE 3P 7A 125V 183 cm
1700019146	Power cord (China) CCC 3P 10A 250V 183 cm
1700018553	Power cord (NZ/AU) SAA 3P 10A 250V 183 cm
170203180A	Power cord (UK) BSI 3P 10A 250V 183 cm
170203183C	Power cord (EU) 3P 2.5A 250V 183 cm

Packing List

Item	AIM-OFDO-0170	AIM-OFDO-0171
1	1 x Office Dock(Advanced I/O)	1 x Office Dock(Charging & USB Only)
2	1 x AC/DC adaptor	1 x AC/DC adaptor
Item	AIM-VSDO-0170	AIM-VSDO-0171
1	1 x VESA Dock(Advanced I/O)	1 x VESA Dock(Charging & USB Only)
2	1 x AC/DC adaptor	1 x AC/DC adaptor

Note: The packing list doesn't include power cord. Please order based on following PNs.

AIM Multi-Bay Charging Station



Features

- Supports charging of up to 6 tablets/4 batteries simultaneously
- Overcurrent and overvoltage protection provided
- Rapid single-handed docking and undocking
- LED indicators for monitoring charging status

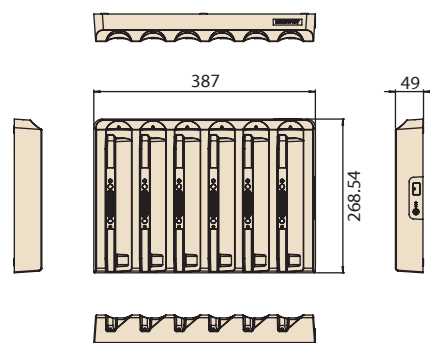
Specifications

		Multi-Tablet Charging Station	Multi-Battery Charging Station
Capacity	Number of Bays	6	4
	Charging Current	2A	2.5A
	Charging Voltage	9 V	4.35 V
Power	Input Voltage	19 V	19 V
	LED Indicators	Green: Full Amber: Charging Red: Error	Green: Full Amber: Charging Red: Error
Mechanical	Dimensions (W x D x H)	387 x 269 x 49 mm (15.23 x 10.59 x 1.92 in)	144 x 155 x 39 mm (5.66 x 6.10 x 1.53 in)
	Weight	1.98 kg (4.36 lb)	0.48 kg (1.05 lb)
Environment	Operating Temperature	0 ~ 40 °C (32 ~ 104 °F)	0 ~ 40 °C (32 ~ 104 °F)
	Storage Temperature	-10 ~ 50 °C (14 ~ 122 °F)	-10 ~ 50 °C (14 ~ 122 °F)
	Safety	UL, CB, LVD, CCC, RCM	UL, CB, LVD, CCC, RCM
	Certifications	CE, FCC, CCC, RCM, BSMI	CE, FCC, CCC, RCM, BSMI

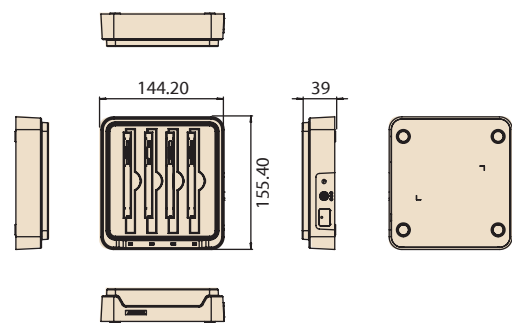
Dimensions

Unit: mm

Multi-Tablet Charging Station



Multi-Battery Charging Station



Ordering Information

Part Number	Description
AIM-CHG0-0150	Multi-tablet charging station for AIM
AIM-MBC0-0051	Multi-battery charging station for AIM

Optional Adapter

Model	Adapter Part Number	Description
AIM-CHG0-0150	96PSA-A120W19V1	ADP A/D 100-240V 120W 19V C6 DC jack
AIM-MBC0-0051	96PSA-A65W19V1-1	ADP A/D 100-240V 65W 19V C6 DC PLUG 180°

Packing List

Item	AIM-MBC0-0051
1	1 x Multi Battery Charger
2	1 x AC/DC adaptor

Note: The packing list doesn't include power cord. Please order based on following PNs.

Optional Power Cord

Part Number	Description
1700001524	Power cord (USA) UL 3P 10A 125V 183 cm
1700008921	Power cord (Japan) PSE 3P 7A 125V 183 cm
1700019146	Power cord (China) CCC 3P 10A 250V 183 cm
1700018553	Power cord (NZ/AU) SAA 3P 10A 250V 183 cm
170203180A	Power cord (UK) BSI 3P 10A 250V 183 cm
170203183C	Power cord (EU) 3P 2.5A 250V 183 cm

AIM-65 Extensions and Accessories

Extension Modules

Barcode Scanner (20°)



Barcode Scanner (70°)



LAN + COM Module



UHF RFID Reader



Part Number	AIM-EXT0-0040	AIM-EXT0-0041	AIM-EXT0-0046	AIM-EXT0-0047 (EU) AIM-EXT0-0049 (US)
Features	<ul style="list-style-type: none"> Sensor: 640 x 480 CMOS sensor Illumination & Aiming: White LED illuminator/Red LED dot aimer Frame rate: 30 fps Field of view: Horizontal: 37.8°; Vertical: 28.8° 	<ul style="list-style-type: none"> Sensor: 640 x 480 CMOS sensor Illumination & Aiming: White LED illuminator/Red LED dot aimer Frame rate: 30 fps Field of view: Horizontal: 37.8°; Vertical: 28.8° 	<ul style="list-style-type: none"> 1 x 10/100 Ethernet port 1 x COM port 	<ul style="list-style-type: none"> RFID output power: 25 watt RFID antenna type: Linear polarization Frequency: EU: 867 ~ 869MHz; US: 913 ~ 917 MHz Tag standard supported: EPC Class 2 Gen. 2/ISO 18000-6C
Dimensions	130.2 x 38.7 x 27.8 mm (5.12 x 1.52 x 1.09 in)	130.2 x 38.7 x 32 mm (5.12 x 1.52 x 1.25 in)	130.2 x 70 x 29 mm (5.12 x 2.75 x 1.14 in)	130.20 x 63.80 x 79.40 mm (5.12 x 2.5 x 3.13 in)
Weight	0.042 kg (0.092 lb)	0.042 kg (0.092 lb)	0.078 kg (0.171 lb)	0.08 kg (0.176 lb)

Accessories

Hand Strap



Shoulder Strap



Holster



Active Stylus



Battery with Meter



Stylus Holder

Part Number	AIM-SRPO-0000	AIM-SRPO-0001	AIM-HOLO-0160	AIM-P704	AIM-BAT0-0252
Features	Black With one stylus holder	Black With one stylus holder	Black	Black	Black
Dimensions	240 x 20 mm (9.44 x 0.78 in)	380 x 135 x 20 mm (14.96 x 5.31 x 0.78 in)	250 x 150 x 30 mm (9.84 x 5.9 x 1.18 in)	140 x 9.7 mm (5.51 x 0.38 in)	98 x 84.5 x 6.5 mm (3.85 x 3.32 x 0.25 in)
Weight	0.022 kg (0.048 lb)	0.05 kg (0.11 lb)	0.23 kg (0.5 lb)	0.02 kg (0.044 lb)	0.104 kg (0.229 lb)

Docking Station

Stylus tether



AG+AR Screen Protective Film



Part Number	AIM-P704A0	AIM-EXT0-0181
Features	Black	Hardness: 2-3H Reflection Rate: 0.15% Haze: 15%
Dimensions	195 mm (7.68 in)	212 x 128 x 0.15 mm (8.35 x 5.04 x 0.006 in)
Weight	0.01 kg (0.02 lb)	0.009 kg (0.02 lb)

AIM-65

8" Industrial-Grade Tablet with Intel® Atom™ Processor



Features

- Intel® Atom™ processor for Windows 10 IoT and AIM Android 6.0
- 8" WUXGA full HD display with scratch-resistant Corning® Gorilla® Glass 3 and multi-touch PCAP control
- WLAN, BT, NFC, 3G/ 4G LTE technology for seamless communications
- Optional extension include 1D/2D barcode scanner, LAN+COM module, UHF RFID module
- Light weight design and multi-tablet charging station allows to reduce downtime of operations

SOTI

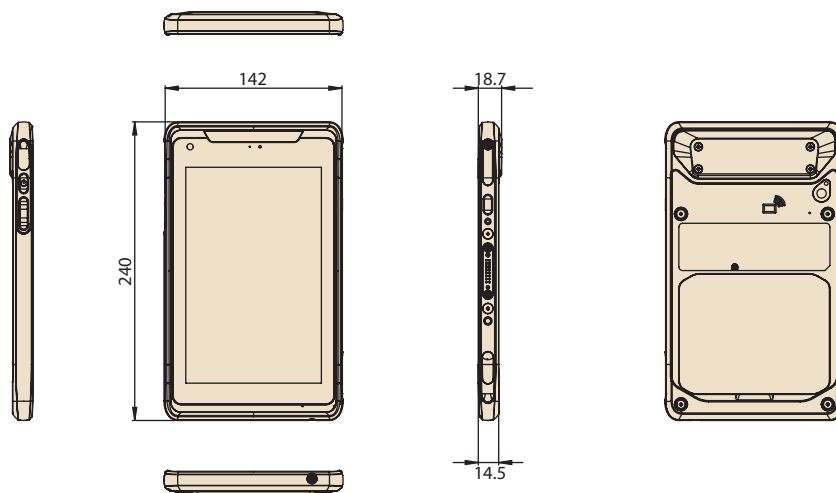


Specifications

System	Processor	Intel® Atom™ quad-core x5-Z8350 (1.44 GHz)
	Memory	2/4 GB (default 2 GB)
	OS	Windows 10 IoT Enterprise, Android 6.0
Storage	eMMC	32/64 GB (default 32 GB)
	SD Card	1 x Micro SD
Display	Type	8" IPS LCD
	Resolution	WUXGA 1200 x 1920
	Brightness	400 cd/m ²
Touchscreen	Type	10-point multi-touch P-CAP touch control
	Construction	Directly bonded Corning® Gorilla® Glass 3
Multimedia	Speaker	1 x Internal speaker (1 W)
	Microphone	1 x Internal microphone for noise suppression
Camera	Front	2-Megapixel camera with fixed focus
	Rear	5-Megapixel camera with auto focus and LED flash
Sensors		Ambient light sensor, e-compass, g-sensor, gyroscope
I/O	Standard I/O	1 x Micro HDMI 1 x Micro USB 2.0 (host and charging) 1 x Micro SIM
	Extended I/O	1 x AIM extension 14-pin pogo connector: 1 x USB 2.0, 1 x 2-wire UART, 5V/1A power 1 x AIM dock 16-pin pogo connector: 1 x USB 3.0, 9V power
	Buttons	1 x Power 2 x Volume control 1 x Hotkey (default function: barcode scanner trigger)
	LED	1 x Power/battery status indicator
Wireless Communication	WLAN/Bluetooth	1. IEEE 802.11 b/g/n, Bluetooth® v4.0 Class2 2. IEEE 802.11 a/b/g/n/ac, Bluetooth® v4.2
	NFC	13.56 MHz, compatible with ISO 15693, ISO 14443A, ISO 14443B, FeliCa
	WWAN	4G LTE multi-device broadband
GNSS	Satellite System (Optional)	GPS, GLONASS
Power	Input Voltage	Micro USB: 5V/3A Dock pogo: 9V/2A
	Battery	Swappable battery: 1S2P 3.8V 18.6W Operating time under 25 °C: 6 hr (depending on usage scenario*) Charging time: 3 hr
Mechanical	Dimensions (W x D x H)	142 x 240 x 14.5 mm (5.59 x 9.44 x 0.57 in)
	Weight	0.6 kg (1.32 lb)
Environment	Operating Temperature	0 ~ 50 °C (32 ~ 122 °F) with battery, -10 ~ 50 °C (14 ~ 122 °F) with AC adaptor
	Storage Temperature	-20 ~ 60 °C (-4 ~ 140 °F)
	IP Rating	IP65
	Shock	Operating: SAE J1455; Non-operating: IEC 60721-3-5 5M3 compliant
	Vibration	SAE J1455
	Drop Tested	Up to 120 cm (4 ft) onto plywood over concrete
	Safety/EMC	UL, CB, LVD + Energy Star 6.1, CE, FCC, IC, VCCI, RCM, CCC, BSMI
Certifications	RED, FCC ID, IC, TELEC, NCC, SRRC, RCM	

Dimensions

Unit: mm



System I/O



Ordering Information

Part Number	Description	Configuration									
		Memory	Storage	NFC	Wi-Fi/BT	LTE	GPS	F-Cam	R-Cam	OS	
AIM-65AT-20101000	8I/2G/32G/WIN10/bgn	2 GB	32 GB	Yes	Yes	-	-	2 MP	5 MP	Win 10 IoT Enterprise	
AIM-65AT-21101000	8I/2G/32G/A6.0/bgn	2 GB	32 GB	Yes	Yes	-	-	2 MP	5 MP	Android 6.0	
AIM-65AT-22301000	8I/4G/64G/WIN10/bgn	4 GB	64 GB	Yes	Yes	-	-	2 MP	5 MP	Win 10 IoT Enterprise	
AIM-65AT-22307000	8I/4G/64G/WIN10/ac	4 GB	64 GB	Yes	Yes (Wi-Fi AC)	-	-	2 MP	5 MP	Win 10 IoT Enterprise	
AIM-65AT-22303000	8I/4G/64G/WIN10/bgn/NA/GPS	4 GB	64 GB	Yes	Yes	Yes (NA)	Yes	2 MP	5 MP	Win 10 IoT Enterprise	
AIM-65AT-22309000	8I/4G/64G/WIN10/bgn/PTCRB_EM/GPS/G	4 GB	64 GB	Yes	Yes	Yes (NA)	Yes	2 MP	5 MP	Win 10 IoT Enterprise	
AIM-65AT-22304000	8I/4G/64G/WIN10/bgn/EU/GPS	4 GB	64 GB	Yes	Yes	Yes (EU)	Yes	2 MP	5 MP	Win 10 IoT Enterprise	
AIM-65AT-23301000	8I/4G/64G/A6.0/bgn	4 GB	64 GB	Yes	Yes	-	-	2 MP	5 MP	Android 6.0	
AIM-65AT-23307000	8I/4G/64G/A6.0/ac	4 GB	64 GB	Yes	Yes (Wi-Fi AC)	-	-	2 MP	5 MP	Android 6.0	
AIM-65AT-23303000	8I/4G/64G/A6.0/bgn/NA/GPS	4 GB	64 GB	Yes	Yes	Yes (NA)	Yes	2 MP	5 MP	Android 6.0	
AIM-65AT-23304000	8I/4G/64G/A6.0/bgn/EU/GPS	4 GB	64 GB	Yes	Yes	Yes (EU)	Yes	2 MP	5 MP	Android 6.0	
AIM-65AT-23309000	8I/4G/64G/A6.0_U/bgn/PTCRB_EM/GPS/G	4 GB	64 GB	Yes	Yes	Yes (NA)	Yes	2 MP	5 MP	Android 6.0	
AIM-65AT-23301TBA	8I/4G/64G/A6.0_U/bgn	4 GB	64 GB	Yes	Yes	-	-	2 MP	5 MP	Android 6.0 for SOTI	
AIM-65AT-23303TBA	8I/4G/64G/A6.0_U/bgn/NA/GPS	4 GB	64 GB	Yes	Yes	Yes (NA)	Yes	2 MP	5 MP	Android 6.0 for SOTI	
AIM-65AT-23304TBA	8I/4G/64G/A6.0_U/bgn/EU/GPS	4 GB	64 GB	Yes	Yes	Yes (EU)	Yes	2 MP	5 MP	Android 6.0 for SOTI	

Optional Accessories

Part Number	Description
XAIM-A16-018N1A	ADP A/D 100-240V 33W 5V 9V DUAL MIRC0 USB
1700001524	Power cord (USA) UL 3P 10A 125V 183 cm
1700008921	Power cord (Japan) PSE 3P 7A 125V 183 cm
1700019146	Power cord (China) CCC 3P 10A 250V 183 cm
1700018553	Power cord (NZ/AU) SAA 3P 10A 250V 183 cm
170203180A	Power cord (UK) BSI 3P 10A 250V 183 cm
170203183C	Power cord (EU) 3P 2.5A 250V 183 cm

Note: Power cords are suitable for AIM-65, AIM-VSD, and AIM-MCS.

Packing List

Description
1 x AIM-65
1 x AC/DC adaptor
1 x Power cord TW

AIM-65 Vehicle Docking Station



Features

- Compatible with 9 ~ 32 V_{DC} in-vehicle power supply
- Rapid single-handed docking and undocking
- Anti-theft locking mechanism
- External GPS antenna
- Programmable function keys
- High-density connector
- Compliant with SAE J1455 for vibration and shock tolerance
- Safe and reliable design for vehicle applications

CE FCC CCC

Specifications

		Fully Configured Unit	Charging Dock Only
I/O	High-Density Connector	1 x CAN bus (supports raw CAN, J1939, OBD-II/ISO 15765) with configurable firmware 5 x Digital inputs 1 x Odometer (supports dry and wet contact) with configurable and switchable firmware (default wet contact) 2 x Digital outputs (supports speed pulse) 1 x RS-232 (4 wire) 1 x RS-232/485 (2 wire) (default RS-485, termination enabled) 1 x USB 2.0 1 x Power output 12V 1A	N/A
GPS	Extended GPS	1 x External GPS antenna	N/A
Function Keys		5 x Programmable function keys	N/A
Key Lock		Anti-theft key lock (key can be removed)	N/A
Power	Input Voltage	Supports 12/24 V vehicle power (9 ~ 32 V _{DC} input range)	
Mechanical	Dimensions (W x D x H)	196 x 76.9 x 212.75 mm (7.71 x 3.02 x 8.37 in)	
	Weight	0.5 kg (1.10 lb)	
Environment	Operating Temperature	-10 ~ 50 °C (14 ~ 122 °F); 0 ~ 40 °C (32 ~ 104 °F) when charging	
	Storage Temperature	-30 ~ 80 °C (-22 ~ 176 °F)	
	IP Rating	IP54	
	Vibration/Shock	SAE J1455	
	Safety	UL, CB, LVD, CCC	
	Vehicle Power Regulation	E-Mark, ISO7637-2	
Certifications		CE, FCC, CCC	

Ordering Information

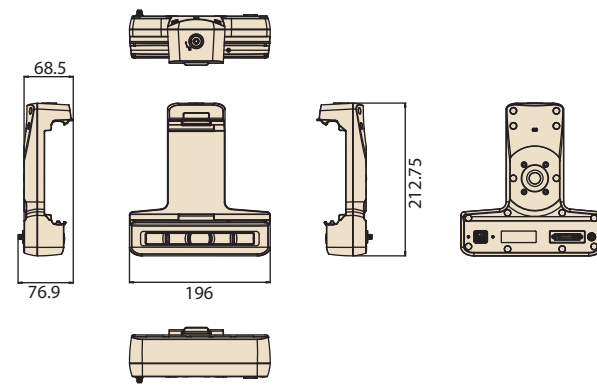
Part Number	Description
AIM-VEH7-0000	AIM vehicle docking station (full configuration)
AIM-VEH7-0010	AIM vehicle docking station (charging only)
1700026766-01	High-density cable
PWS-770-GPSAN00E	External GPS antenna
1700027666-01	Vehicle power cable (In-house engineer testing only)
1700027665-01	Vehicle power cable (vehicle battery)

Packing List

Item	AIM-VEH7-0000	AIM-VEH7-0010
1	1 x Vehicle Dock(Fully I/O)	1 x Vehicle Dock (Charging Only)
2	1 x Vehicle power cable (vehicle battery)	1 x Vehicle power cable (vehicle battery)

Dimensions

Unit: mm



AIM-65 Office /VESA Docking Station



Features

- 9 ~ 32 V wide input voltage range
- VESA (75 x 75 mm)-compliant docking stations
- -10 ~ 50 °C (14 ~122 °F) operating temperature
- Reliable docking connector for office applications

CE FCC

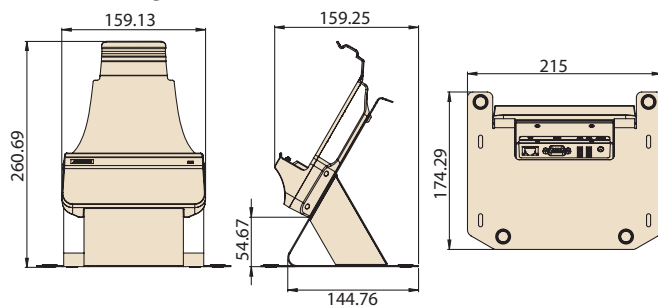
Specifications

		Advanced Office Docking Station	Office Docking Station with USB	Advanced VESA Docking Station	VESA Docking Station with USB
I/O		2 x USB 3.0 1 x RS-232 COM 1 x Gigabit LAN 1 x Power jack	2 x USB 2.0 1 x Power jack	2 x USB 3.0 1 x RS-232 COM 1 x Gigabit LAN 1 x Power jack	2 x USB 2.0 1 x Power jack
	Stand	SECC steel	SECC steel	-	-
Power	Input Voltage	9 ~ 32 V	19 V	9 ~ 32 V	19 V
Mechanical	Dimensions (W x D x H)	215 x 174.29 x 260.69 mm (8.5 x 6.9 x 10.3 in)	215 x 174.29 x 260.69 mm (8.5 x 6.9 x 10.3 in)	160 x 61.8 x 189.2 mm (6.3 x 2.4 x 7.4 in)	160 x 61.8 x 189.2 mm (6.3 x 2.4 x 7.4 in)
	Weight	0.75 kg (1.65 lb)	0.75 kg (1.65 lb)	0.282 kg (0.62 lb)	0.28 kg (0.61 lb)
Environment	Operating Temperature	-10 ~ 50 °C (14 ~122 °F)	-10 ~ 50 °C (14 ~122 °F)	-10 ~ 50 °C (14 ~122 °F)	-10 ~ 50 °C (14 ~122 °F)
	Storage Temperature	-20 ~ 70 °C (-4 ~ 158 °F)	-20 ~ 70 °C (-4 ~ 158 °F)	-20 ~ 70 °C (-4 ~ 158 °F)	-20 ~ 70 °C (-4 ~ 158 °F)
	Safety	UL, CB, LVD, CCC	UL, CB, LVD, CCC	UL, CB, LVD, CCC	UL, CB, LVD, CCC
	Certifications	CE, FCC, CCC	CE, FCC, CCC	CE, FCC, CCC	CE, FCC, CCC

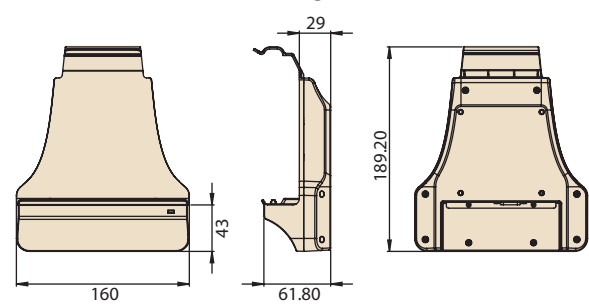
Dimensions

Unit: mm

Office Docking Station



VESA Advanced/VESA Docking Station



Ordering Information

Part Number	Description
AIM-OFDO-0170	AIM 8 advanced office docking station (full I/O configuration)
AIM-OFDO-0171	AIM 8 office docking station (USB)
AIM-VSDO-0170	AIM 8 advanced VESA docking station (Full I/O configuration)
AIM-VSDO-0171	AIM 8 VESA docking station with USB (USB)
AIM-STDO-0000	AIM 8 VESA stand

Optional Accessories

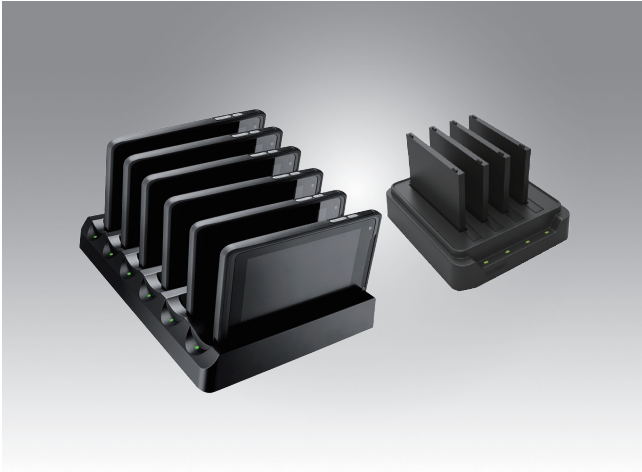
Part Number	Description
96PSA-A65W19V1-1	ADP A/D 100-240V 65W 19V C6 DC PLUG 180°
1700001524	Power cord (USA) UL 3P 10A 125V 183 cm
1700008921	Power cord (Japan) PSE 3P 7A 125V 183 cm
1700019146	Power cord (China) CCC 3P 10A 250V 183 cm
1700018553	Power cord (NZ/AU) SAA 3P 10A 250V 183 cm
170203180A	Power cord (UK) BSI 3P 10A 250V 183 cm
170203183C	Power cord (EU) 3P 2.5A 250V 183 cm

Packing List

Item	AIM-OFDO-0170	AIM-OFDO-0171
1	1 x Office Dock(Advanced I/O)	1 x Office Dock(Charging & USB Only)
2	1 x AC/DC adaptor	1 x AC/DC adaptor
Item	AIM-VSDO-0170	AIM-VSDO-0171
1	1 x VESA Dock(Advanced I/O)	1 x VESA Dock(Charging & USB Only)
2	1 x AC/DC adaptor	1 x AC/DC adaptor

Note: The packing list doesn't include power cord. Please order based on following PNs.

AIM Multi-Bay Charging Station



Features

- Supports charging of up to 6 tablets/4 batteries simultaneously
- Overcurrent and overvoltage protection provided
- Rapid single-handed docking and undocking
- LED indicators for monitoring charging status



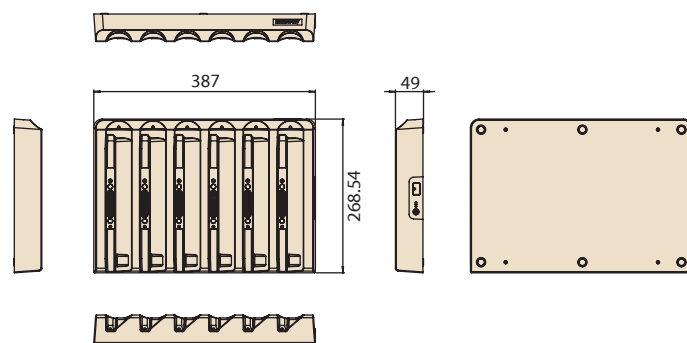
Specifications

		Multi-Tablet Charging Station	Multi-Battery Charging Station
Capacity	Number of Bays	6	4
	Charging Current	2A	2.5A
Power	Charging Voltage	9 V	4.35 V
	Input Voltage	19 V	19 V
LED Indicators		Green: Full	Green: Full
		Amber: Charging	Amber: Charging
		Red: Error	Red: Error
Mechanical	Dimensions (W x D x H)	387 x 269 x 49 mm (15.23 x 10.59 x 1.92 in)	144 x 155 x 39 mm (5.66 x 6.10 x 1.53 in)
	Weight	1.98 kg (4.36 lb)	0.48 kg (1.05 lb)
Environment	Operating Temperature	0 ~ 40 °C (32 ~ 104 °F)	0 ~ 40 °C (32 ~ 104 °F)
	Storage Temperature	-10 ~ 50 °C (14 ~ 122 °F)	-10 ~ 50 °C (14 ~ 122 °F)
	Safety	UL, CB, LVD, CCC, RCM	UL, CB, LVD, CCC, RCM
	Certifications	CE, FCC, CCC, RCM, BSMI	CE, FCC, CCC, RCM, BSMI

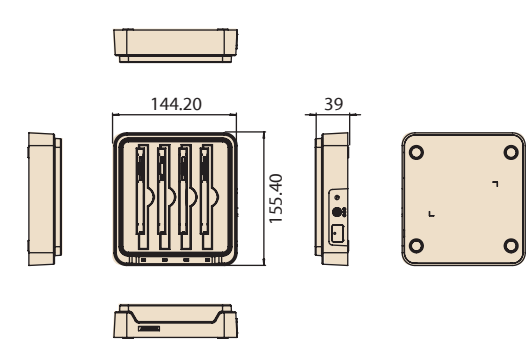
Dimensions

Unit: mm

Multi-Tablet Charging Station



Multi-Battery Charging Station



Ordering Information

Part Number	Description
AIM-CHG0-0150	Multi-tablet charging station for AIM
AIM-MBC0-0051	Multi-battery charging station for AIM

Optional Adapter

Model	Adapter Part Number	Description
AIM-CHG0-0150	96PSA-A120W19V1	ADP A/D 100-240V 120W 19V C6 DC jack
AIM-MBC0-0051	96PSA-A65W19V1-1	ADP A/D 100-240V 65W 19V C6 DC PLUG 180°

Packing List

Item	AIM-MBC0-0051
1	1 x Multi Battery Charger
2	1 x AC/DC adaptor

Note: The packing list doesn't include power cord. Please order based on following PNs.

Optional Power Cord

Part Number	Description
1700001524	Power cord (USA) UL 3P 10A 125V 183 cm
1700008921	Power cord (Japan) PSE 3P 7A 125V 183 cm
1700019146	Power cord (China) CCC 3P 10A 250V 183 cm
1700018553	Power cord (NZ/AU) SAA 3P 10A 250V 183 cm
170203180A	Power cord (UK) BSI 3P 10A 250V 183 cm
170203183C	Power cord (EU) 3P 2.5A 250V 183 cm

AIM-65 Extensions and Accessories

Extension Modules

Barcode Scanner (20°)



Barcode Scanner (70°)



LAN + COM Module



UHF RFID Reader



Part Number	AIM-EXT0-0040	AIM-EXT0-0041	AIM-EXT0-0046	AIM-EXT0-0047 (EU) AIM-EXT0-0049 (US)
Features	<ul style="list-style-type: none"> Sensor: 640 x 480 CMOS sensor Illumination & Aiming: White LED illuminator/Red LED dot aimer Frame rate: 30 fps Field of view: Horizontal: 37.8°; Vertical: 28.8° 	<ul style="list-style-type: none"> Sensor: 640 x 480 CMOS sensor Illumination & Aiming: White LED illuminator/Red LED dot aimer Frame rate: 30 fps Field of view: Horizontal: 37.8°; Vertical: 28.8° 	<ul style="list-style-type: none"> 1 x 10/100 Ethernet port 1 x COM port 	<ul style="list-style-type: none"> RFID output power: 25 watt RFID antenna type: Linear polarization Frequency: EU: 867 ~ 869MHz; US: 913 ~ 917 MHz Tag standard supported: EPC Class 2 Gen. 2/ISO 18000-6C
Dimensions	130.2 x 38.7 x 27.8 mm (5.12 x 1.52 x 1.09 in)	130.2 x 38.7 x 32 mm (5.12 x 1.52 x 1.25 in)	130.2 x 70 x 29 mm (5.12 x 2.75 x 1.14 in)	130.20 x 63.80 x 79.40 mm (5.12 x 2.5 x 3.13 in)
Weight	0.042 kg (0.092 lb)	0.042 kg (0.092 lb)	0.078 kg (0.171 lb)	0.08 kg (0.176 lb)

Accessories

Hand Strap



Shoulder Strap



Holster



Active Stylus



Battery with Meter



Stylus Holder

Part Number	AIM-SRPO-0000	AIM-SRPO-0001	AIM-HOLO-0160	AIM-P704	AIM-BAT0-0252
Features	Black With one stylus holder	Black With one stylus holder	Black	Black	Black
Dimensions	240 x 20 mm (9.44 x 0.78 in)	380 x 135 x 20 mm (14.96 x 5.31 x 0.78 in)	250 x 150 x 30 mm (9.84 x 5.9 x 1.18 in)	140 x 9.7 mm (5.51 x 0.38 in)	98 x 84.5 x 6.5 mm (3.85 x 3.32 x 0.25 in)
Weight	0.022 kg (0.048 lb)	0.05 kg (0.11 lb)	0.23 kg (0.5 lb)	0.02 kg (0.044 lb)	0.104 kg (0.229 lb)

Docking Station

Stylus tether



AG+AR Screen Protective Film



Part Number	AIM-P704A0	AIM-EXT0-0181
Features	Black	Hardness: 2-3H Reflection Rate: 0.15% Haze: 15%
Dimensions	195 mm (7.68 in)	212 x 128 x 0.15 mm (8.35 x 5.04 x 0.006 in)
Weight	0.01 kg (0.02 lb)	0.009 kg (0.02 lb)

AIM-65

8" Industrial-Grade Tablet with Intel® Atom™ Processor



Features

- Intel® Atom™ processor for Windows 10 IoT and AIM Android 6.0
- 8" WUXGA full HD display with scratch-resistant Corning® Gorilla® Glass 3 and multi-touch PCAP control
- WLAN, BT, NFC, 3G/ 4G LTE technology for seamless communications
- Optional extension include 1D/2D barcode scanner, LAN+COM module, UHF RFID module
- Light weight design and multi-tablet charging station allows to reduce downtime of operations

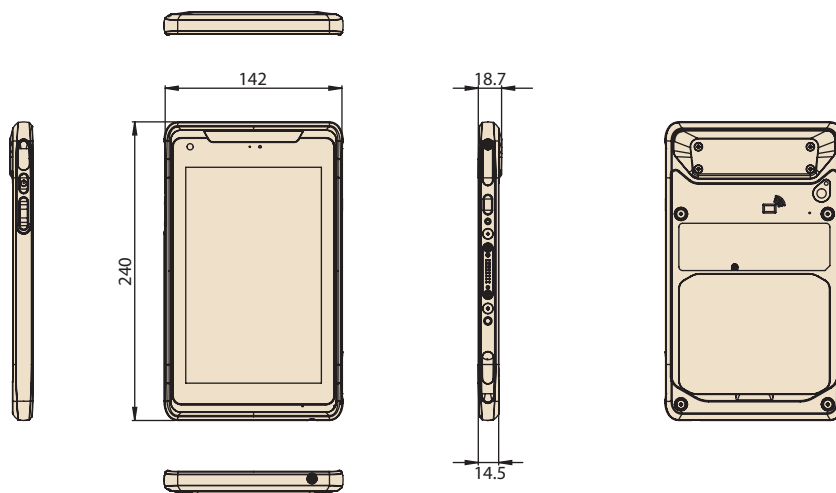


Specifications

System	Processor	Intel® Atom™ quad-core x5-Z8350 (1.44 GHz)
	Memory	2/4 GB (default 2 GB)
	OS	Windows 10 IoT Enterprise, Android 6.0
Storage	eMMC	32/64 GB (default 32 GB)
	SD Card	1 x Micro SD
Display	Type	8" IPS LCD
	Resolution	WUXGA 1200 x 1920
	Brightness	400 cd/m ²
Touchscreen	Type	10-point multi-touch P-CAP touch control
	Construction	Directly bonded Corning® Gorilla® Glass 3
Multimedia	Speaker	1 x Internal speaker (1 W)
	Microphone	1 x Internal microphone for noise suppression
Camera	Front	2-Megapixel camera with fixed focus
	Rear	5-Megapixel camera with auto focus and LED flash
Sensors		Ambient light sensor, e-compass, g-sensor, gyroscope
I/O	Standard I/O	1 x Micro HDMI 1 x Micro USB 2.0 (host and charging) 1 x Micro SIM
	Extended I/O	1 x AIM extension 14-pin pogo connector: 1 x USB 2.0, 1 x 2-wire UART, 5V/1A power 1 x AIM dock 16-pin pogo connector: 1 x USB 3.0, 9V power
	Buttons	1 x Power 2 x Volume control 1 x Hotkey (default function: barcode scanner trigger)
	LED	1 x Power/battery status indicator
Wireless Communication	WLAN/Bluetooth	1. IEEE 802.11 b/g/n, Bluetooth® v4.0 Class2 2. IEEE 802.11 a/b/g/n/ac, Bluetooth® v4.2
	NFC	13.56 MHz, compatible with ISO 15693, ISO 14443A, ISO 14443B, FeliCa
	WWAN	4G LTE multi-device broadband
GNSS	Satellite System (Optional)	GPS, GLONASS
Power	Input Voltage	Micro USB: 5V/3A Dock pogo: 9V/2A
	Battery	Swappable battery: 1S2P 3.8V 18.6W Operating time under 25 °C: 6 hr (depending on usage scenario*) Charging time: 3 hr
Mechanical	Dimensions (W x D x H)	142 x 240 x 14.5 mm (5.59 x 9.44 x 0.57 in)
	Weight	0.6 kg (1.32 lb)
Environment	Operating Temperature	0 ~ 50 °C (32 ~ 122 °F) with battery, -10 ~ 50 °C (14 ~ 122 °F) with AC adaptor
	Storage Temperature	-20 ~ 60 °C (-4 ~ 140 °F)
	IP Rating	IP65
	Shock	Operating: SAE J1455; Non-operating: IEC 60721-3-5 5M3 compliant
	Vibration	SAE J1455
	Drop Tested	Up to 120 cm (4 ft) onto plywood over concrete
	Safety/EMC	UL, CB, LVD + Energy Star 6.1, CE, FCC, IC, VCCI, RCM, CCC, BSMI
Certifications	RED, FCC ID, IC, TELEC, NCC, SRRC, RCM	

Dimensions

Unit: mm



System I/O



Ordering Information

Part Number	Description	Configuration									
		Memory	Storage	NFC	Wi-Fi/BT	LTE	GPS	F-Cam	R-Cam	OS	
AIM-65AT-20101000	8I/2G/32G/WIN10/bgn	2 GB	32 GB	Yes	Yes	-	-	2 MP	5 MP	Win 10 IoT Enterprise	
AIM-65AT-21101000	8I/2G/32G/A6.0/bgn	2 GB	32 GB	Yes	Yes	-	-	2 MP	5 MP	Android 6.0	
AIM-65AT-22301000	8I/4G/64G/WIN10/bgn	4 GB	64 GB	Yes	Yes	-	-	2 MP	5 MP	Win 10 IoT Enterprise	
AIM-65AT-22307000	8I/4G/64G/WIN10/ac	4 GB	64 GB	Yes	Yes (Wi-Fi AC)	-	-	2 MP	5 MP	Win 10 IoT Enterprise	
AIM-65AT-22303000	8I/4G/64G/WIN10/bgn/NA/GPS	4 GB	64 GB	Yes	Yes	Yes (NA)	Yes	2 MP	5 MP	Win 10 IoT Enterprise	
AIM-65AT-22309000	8I/4G/64G/WIN10/bgn/PTCRB_EM/GPS/G	4 GB	64 GB	Yes	Yes	Yes (NA)	Yes	2 MP	5 MP	Win 10 IoT Enterprise	
AIM-65AT-22304000	8I/4G/64G/WIN10/bgn/EU/GPS	4 GB	64 GB	Yes	Yes	Yes (EU)	Yes	2 MP	5 MP	Win 10 IoT Enterprise	
AIM-65AT-23301000	8I/4G/64G/A6.0/bgn	4 GB	64 GB	Yes	Yes	-	-	2 MP	5 MP	Android 6.0	
AIM-65AT-23307000	8I/4G/64G/A6.0/ac	4 GB	64 GB	Yes	Yes (Wi-Fi AC)	-	-	2 MP	5 MP	Android 6.0	
AIM-65AT-23303000	8I/4G/64G/A6.0/bgn/NA/GPS	4 GB	64 GB	Yes	Yes	Yes (NA)	Yes	2 MP	5 MP	Android 6.0	
AIM-65AT-23304000	8I/4G/64G/A6.0/bgn/EU/GPS	4 GB	64 GB	Yes	Yes	Yes (EU)	Yes	2 MP	5 MP	Android 6.0	
AIM-65AT-23309000	8I/4G/64G/A6.0_U/bgn/PTCRB_EM/GPS/G	4 GB	64 GB	Yes	Yes	Yes (NA)	Yes	2 MP	5 MP	Android 6.0	
AIM-65AT-23301TBA	8I/4G/64G/A6.0_U/bgn	4 GB	64 GB	Yes	Yes	-	-	2 MP	5 MP	Android 6.0 for SOTI	
AIM-65AT-23303TBA	8I/4G/64G/A6.0_U/bgn/NA/GPS	4 GB	64 GB	Yes	Yes	Yes (NA)	Yes	2 MP	5 MP	Android 6.0 for SOTI	
AIM-65AT-23304TBA	8I/4G/64G/A6.0_U/bgn/EU/GPS	4 GB	64 GB	Yes	Yes	Yes (EU)	Yes	2 MP	5 MP	Android 6.0 for SOTI	

Optional Accessories

Part Number	Description
XAIM-A16-018N1A	ADP A/D 100-240V 33W 5V 9V DUAL MIRCRO USB
1700001524	Power cord (USA) UL 3P 10A 125V 183 cm
1700008921	Power cord (Japan) PSE 3P 7A 125V 183 cm
1700019146	Power cord (China) CCC 3P 10A 250V 183 cm
1700018553	Power cord (NZ/AU) SAA 3P 10A 250V 183 cm
170203180A	Power cord (UK) BSI 3P 10A 250V 183 cm
170203183C	Power cord (EU) 3P 2.5A 250V 183 cm

Note: Power cords are suitable for AIM-65, AIM-VSD, and AIM-MCS.

Packing List

Description
1 x AIM-65
1 x AC/DC adaptor
1 x Power cord TW

AIM-65 Vehicle Docking Station



Features

- Compatible with 9 ~ 32 V_{DC} in-vehicle power supply
- Rapid single-handed docking and undocking
- Anti-theft locking mechanism
- External GPS antenna
- Programmable function keys
- High-density connector
- Compliant with SAE J1455 for vibration and shock tolerance
- Safe and reliable design for vehicle applications

CE FCC CCC

Specifications

		Fully Configured Unit	Charging Dock Only
I/O	High-Density Connector	1 x CAN bus (supports raw CAN, J1939, OBD-II/ISO 15765) with configurable firmware 5 x Digital inputs 1 x Odometer (supports dry and wet contact) with configurable and switchable firmware (default wet contact) 2 x Digital outputs (supports speed pulse) 1 x RS-232 (4 wire) 1 x RS-232/485 (2 wire) (default RS-485, termination enabled) 1 x USB 2.0 1 x Power output 12V 1A	N/A
GPS	Extended GPS	1 x External GPS antenna	N/A
Function Keys		5 x Programmable function keys	N/A
Key Lock		Anti-theft key lock (key can be removed)	N/A
Power	Input Voltage	Supports 12/24 V vehicle power (9 ~ 32 V _{DC} input range)	
Mechanical	Dimensions (W x D x H)	196 x 76.9 x 212.75 mm (7.71 x 3.02 x 8.37 in)	
	Weight	0.5 kg (1.10 lb)	
Environment	Operating Temperature	-10 ~ 50 °C (14 ~ 122 °F); 0 ~ 40 °C (32 ~ 104 °F) when charging	
	Storage Temperature	-30 ~ 80 °C (-22 ~ 176 °F)	
	IP Rating	IP54	
	Vibration/Shock	SAE J1455	
	Safety	UL, CB, LVD, CCC	
	Vehicle Power Regulation	E-Mark, ISO7637-2	
Certifications		CE, FCC, CCC	

Ordering Information

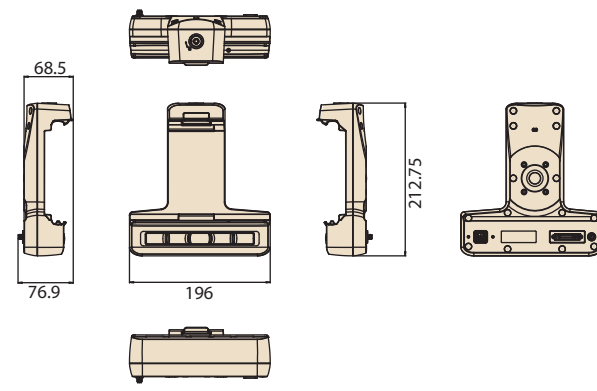
Part Number	Description
AIM-VEH7-0000	AIM vehicle docking station (full configuration)
AIM-VEH7-0010	AIM vehicle docking station (charging only)
1700026766-01	High-density cable
PWS-770-GPSAN00E	External GPS antenna
1700027666-01	Vehicle power cable (In-house engineer testing only)
1700027665-01	Vehicle power cable (vehicle battery)

Packing List

Item	AIM-VEH7-0000	AIM-VEH7-0010
1	1 x Vehicle Dock(Fully I/O)	1 x Vehicle Dock (Charging Only)
2	1 x Vehicle power cable (vehicle battery)	1 x Vehicle power cable (vehicle battery)

Dimensions

Unit: mm



AIM-65 Office /VESA Docking Station



Features

- 9 ~ 32 V wide input voltage range
- VESA (75 x 75 mm)-compliant docking stations
- -10 ~ 50 °C (14 ~122 °F) operating temperature
- Reliable docking connector for office applications

CE FCC

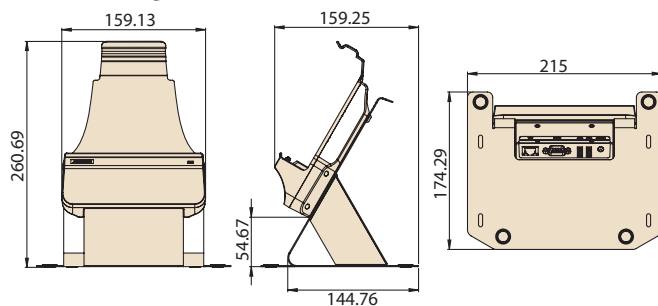
Specifications

		Advanced Office Docking Station	Office Docking Station with USB	Advanced VESA Docking Station	VESA Docking Station with USB
I/O		2 x USB 3.0 1 x RS-232 COM 1 x Gigabit LAN 1 x Power jack	2 x USB 2.0 1 x Power jack	2 x USB 3.0 1 x RS-232 COM 1 x Gigabit LAN 1 x Power jack	2 x USB 2.0 1 x Power jack
	Stand	SECC steel	SECC steel	-	-
Power	Input Voltage	9 ~ 32 V	19 V	9 ~ 32 V	19 V
Mechanical	Dimensions (W x D x H)	215 x 174.29 x 260.69 mm (8.5 x 6.9 x 10.3 in)	215 x 174.29 x 260.69 mm (8.5 x 6.9 x 10.3 in)	160 x 61.8 x 189.2 mm (6.3 x 2.4 x 7.4 in)	160 x 61.8 x 189.2 mm (6.3 x 2.4 x 7.4 in)
	Weight	0.75 kg (1.65 lb)	0.75 kg (1.65 lb)	0.282 kg (0.62 lb)	0.28 kg (0.61 lb)
Environment	Operating Temperature	-10 ~ 50 °C (14 ~122 °F)	-10 ~ 50 °C (14 ~122 °F)	-10 ~ 50 °C (14 ~122 °F)	-10 ~ 50 °C (14 ~122 °F)
	Storage Temperature	-20 ~ 70 °C (-4 ~ 158 °F)	-20 ~ 70 °C (-4 ~ 158 °F)	-20 ~ 70 °C (-4 ~ 158 °F)	-20 ~ 70 °C (-4 ~ 158 °F)
	Safety	UL, CB, LVD, CCC	UL, CB, LVD, CCC	UL, CB, LVD, CCC	UL, CB, LVD, CCC
	Certifications	CE, FCC, CCC	CE, FCC, CCC	CE, FCC, CCC	CE, FCC, CCC

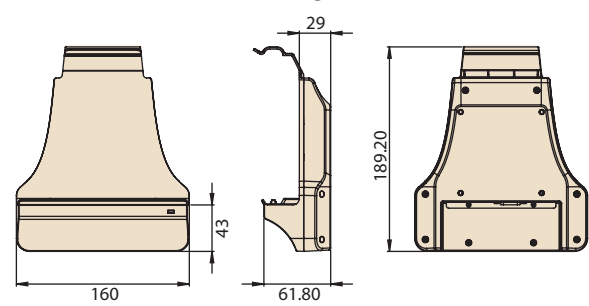
Dimensions

Unit: mm

Office Docking Station



VESA Advanced/VESA Docking Station



Ordering Information

Part Number	Description
AIM-OFDO-0170	AIM 8 advanced office docking station (full I/O configuration)
AIM-OFDO-0171	AIM 8 office docking station (USB)
AIM-VSDO-0170	AIM 8 advanced VESA docking station (Full I/O configuration)
AIM-VSDO-0171	AIM 8 VESA docking station with USB (USB)
AIM-STDO-0000	AIM 8 VESA stand

Optional Accessories

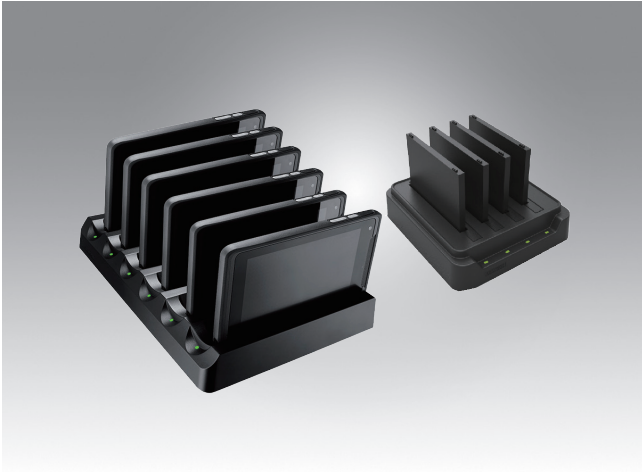
Part Number	Description
96PSA-A65W19V1-1	ADP A/D 100-240V 65W 19V C6 DC PLUG 180°
1700001524	Power cord (USA) UL 3P 10A 125V 183 cm
1700008921	Power cord (Japan) PSE 3P 7A 125V 183 cm
1700019146	Power cord (China) CCC 3P 10A 250V 183 cm
1700018553	Power cord (NZ/AU) SAA 3P 10A 250V 183 cm
170203180A	Power cord (UK) BSI 3P 10A 250V 183 cm
170203183C	Power cord (EU) 3P 2.5A 250V 183 cm

Packing List

Item	AIM-OFDO-0170	AIM-OFDO-0171
1	1 x Office Dock(Advanced I/O)	1 x Office Dock(Charging & USB Only)
2	1 x AC/DC adaptor	1 x AC/DC adaptor
Item	AIM-VSDO-0170	AIM-VSDO-0171
1	1 x VESA Dock(Advanced I/O)	1 x VESA Dock(Charging & USB Only)
2	1 x AC/DC adaptor	1 x AC/DC adaptor

Note: The packing list doesn't include power cord. Please order based on following PNs.

AIM Multi-Bay Charging Station



Features

- Supports charging of up to 6 tablets/4 batteries simultaneously
- Overcurrent and overvoltage protection provided
- Rapid single-handed docking and undocking
- LED indicators for monitoring charging status

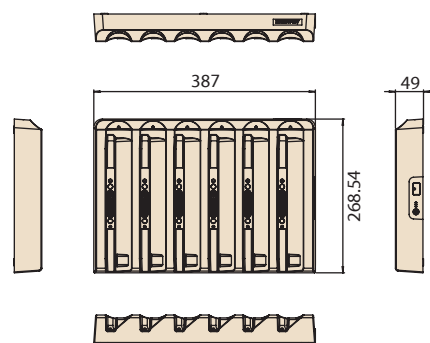
Specifications

		Multi-Tablet Charging Station	Multi-Battery Charging Station
Capacity	Number of Bays	6	4
	Charging Current	2A	2.5A
	Charging Voltage	9 V	4.35 V
Power	Input Voltage	19 V	19 V
	LED Indicators	Green: Full Amber: Charging Red: Error	Green: Full Amber: Charging Red: Error
Mechanical	Dimensions (W x D x H)	387 x 269 x 49 mm (15.23 x 10.59 x 1.92 in)	144 x 155 x 39 mm (5.66 x 6.10 x 1.53 in)
	Weight	1.98 kg (4.36 lb)	0.48 kg (1.05 lb)
Environment	Operating Temperature	0 ~ 40 °C (32 ~ 104 °F)	0 ~ 40 °C (32 ~ 104 °F)
	Storage Temperature	-10 ~ 50 °C (14 ~ 122 °F)	-10 ~ 50 °C (14 ~ 122 °F)
	Safety	UL, CB, LVD, CCC, RCM	UL, CB, LVD, CCC, RCM
	Certifications	CE, FCC, CCC, RCM, BSMI	CE, FCC, CCC, RCM, BSMI

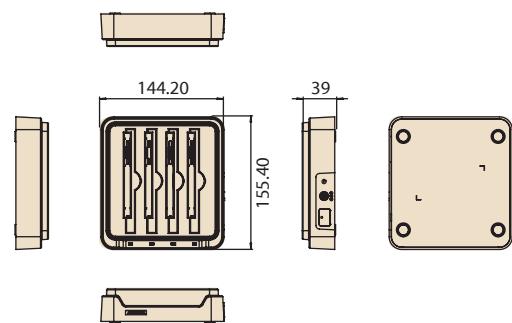
Dimensions

Unit: mm

Multi-Tablet Charging Station



Multi-Battery Charging Station



Ordering Information

Part Number	Description
AIM-CHG0-0150	Multi-tablet charging station for AIM
AIM-MBC0-0051	Multi-battery charging station for AIM

Optional Adapter

Model	Adapter Part Number	Description
AIM-CHG0-0150	96PSA-A120W19V1	ADP A/D 100-240V 120W 19V C6 DC jack
AIM-MBC0-0051	96PSA-A65W19V1-1	ADP A/D 100-240V 65W 19V C6 DC PLUG 180°

Packing List

Item	AIM-MBC0-0051
1	1 x Multi Battery Charger
2	1 x AC/DC adaptor

Note: The packing list doesn't include power cord. Please order based on following PNs.

Optional Power Cord

Part Number	Description
1700001524	Power cord (USA) UL 3P 10A 125V 183 cm
1700008921	Power cord (Japan) PSE 3P 7A 125V 183 cm
1700019146	Power cord (China) CCC 3P 10A 250V 183 cm
1700018553	Power cord (NZ/AU) SAA 3P 10A 250V 183 cm
170203180A	Power cord (UK) BSI 3P 10A 250V 183 cm
170203183C	Power cord (EU) 3P 2.5A 250V 183 cm

AIM-65 Extensions and Accessories

Extension Modules

Barcode Scanner (20°)



Barcode Scanner (70°)



LAN + COM Module



UHF RFID Reader



Part Number	AIM-EXT0-0040	AIM-EXT0-0041	AIM-EXT0-0046	AIM-EXT0-0047 (EU) AIM-EXT0-0049 (US)
Features	<ul style="list-style-type: none"> Sensor: 640 x 480 CMOS sensor Illumination & Aiming: White LED illuminator/Red LED dot aimer Frame rate: 30 fps Field of view: Horizontal: 37.8°; Vertical: 28.8° 	<ul style="list-style-type: none"> Sensor: 640 x 480 CMOS sensor Illumination & Aiming: White LED illuminator/Red LED dot aimer Frame rate: 30 fps Field of view: Horizontal: 37.8°; Vertical: 28.8° 	<ul style="list-style-type: none"> 1 x 10/100 Ethernet port 1 x COM port 	<ul style="list-style-type: none"> RFID output power: 25 watt RFID antenna type: Linear polarization Frequency: EU: 867 ~ 869MHz; US: 913 ~ 917 MHz Tag standard supported: EPC Class 2 Gen. 2/ISO 18000-6C
Dimensions	130.2 x 38.7 x 27.8 mm (5.12 x 1.52 x 1.09 in)	130.2 x 38.7 x 32 mm (5.12 x 1.52 x 1.25 in)	130.2 x 70 x 29 mm (5.12 x 2.75 x 1.14 in)	130.20 x 63.80 x 79.40 mm (5.12 x 2.5 x 3.13 in)
Weight	0.042 kg (0.092 lb)	0.042 kg (0.092 lb)	0.078 kg (0.171 lb)	0.08 kg (0.176 lb)

Accessories

Hand Strap



Shoulder Strap



Holster



Active Stylus



Battery with Meter



Stylus Holder

Part Number	AIM-SRPO-0000	AIM-SRPO-0001	AIM-HOLO-0160	AIM-P704	AIM-BAT0-0252
Features	Black With one stylus holder	Black With one stylus holder	Black	Black	Black
Dimensions	240 x 20 mm (9.44 x 0.78 in)	380 x 135 x 20 mm (14.96 x 5.31 x 0.78 in)	250 x 150 x 30 mm (9.84 x 5.9 x 1.18 in)	140 x 9.7 mm (5.51 x 0.38 in)	98 x 84.5 x 6.5 mm (3.85 x 3.32 x 0.25 in)
Weight	0.022 kg (0.048 lb)	0.05 kg (0.11 lb)	0.23 kg (0.5 lb)	0.02 kg (0.044 lb)	0.104 kg (0.229 lb)

Docking Station

Stylus tether



AG+AR Screen Protective Film



Part Number	AIM-P704A0	AIM-EXT0-0181
Features	Black	Hardness: 2-3H Reflection Rate: 0.15% Haze: 15%
Dimensions	195 mm (7.68 in)	212 x 128 x 0.15 mm (8.35 x 5.04 x 0.006 in)
Weight	0.01 kg (0.02 lb)	0.009 kg (0.02 lb)

AIM-68

10.1" Industrial Tablet with Intel® Atom™ Processor



Features

- Intel® Atom™ processor with Windows 10 IoT & Android 6.0 operating systems
- 10.1" WUXGA full HD display with scratch-resistant Corning® Gorilla® Glass 3 and multi-touch PCAP control
- WLAN, BT, NFC & 4G LTE technologies for seamless communication
- Optional docking stations include vehicle, VESA, and desk docking stations
- Optional extension modules such as 1D/2D barcode scanners and a LAN+COM module
- Optional accessories include a stylus, hand strap, and shoulder strap
- Additional modules and accessories can be customized according to application requirements



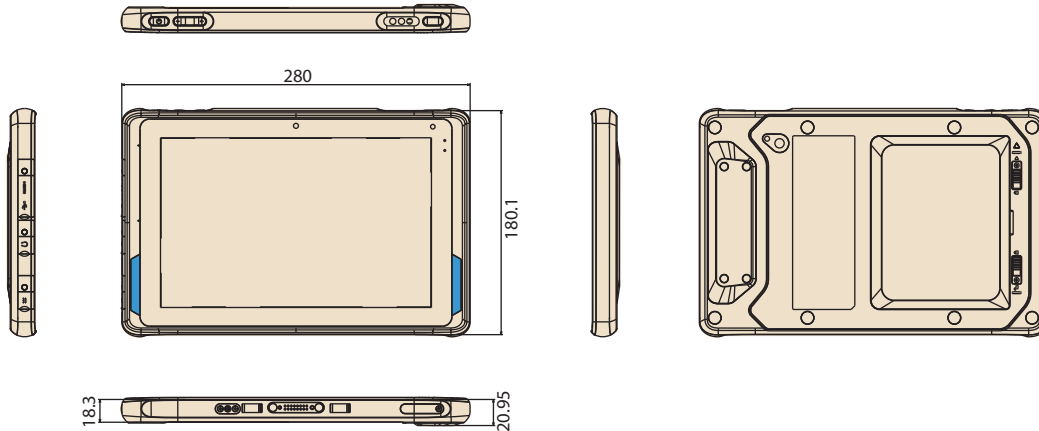
Specifications

System	Processor	Intel® Atom™ x7-Z8750 quad-core, 1.6 Ghz (2M cache, up to 2.56 Ghz)
	Memory	4 GB LPDDR3 (up to 8 GB)
	OS	Windows 10 IoT Enterprise, AIM Android 6.0
Storage	eMMC	64 GB default (up to 128 GB)
	Type	10.1" FHD LCD
Display	Resolution	WUXGA 1920 x 1200
	Brightness	380/800 cd/m ² (optional)
	Construction	Corning® Gorilla® Glass 3 with 10-point P-CAP touch control
Audio	Speaker	2 x internal speakers (2 W)
	Audio Jack	1 x audio combo jack (combines stereo audio output and mono microphone input)
	Camera	2.0-megapixel auto-focus camera
Sensors	Front	5.0-megapixel auto-focus camera with LED flash
	Rear	Ambient Light Sensor, G-sensor / eCompass
Barcode Scanner	Barcode Scanner (Optional)	Integrated 1D/2D barcode scanner
	Standard I/O	1 x micro HDMI, 1 x USB 3.0, 1 x combo audio jack, 1 x 19 VDC-in jack, 1 x SIM card reader, 1 x micro SD card reader
I/O Interface	Extended I/O	1 x AIM module pogo pin connector at rear for supporting AIM extension modules
	Docking	16-pin pogo pin connector
	Buttons	1 x power button, 2 x volume keys (up/down), 1 x programmable function key
	LED Indicator	Full: green (100%); Charging: blue; Low: red (≤10%)
Wireless Communication	WLAN/Bluetooth	IEEE 802.11a/b/g/n/ac, Bluetooth® v4.1
	WWAN (Optional)	4G LTE module with AGPS
	NFC	13.56 MHz
GNSS	Satellite System (Optional)	Standalone GPS supports GLONASS, BeiDou
Power System	Power Adapter	Input: 100-240 V ~ 1.5 A 50/60 Hz, Output: 19 V, Max.65 W
	Battery	Hot-swappable smart battery with capacity LED indicators; Capacity: 26 WHr Operating time: Approx. 5.5hrs operation (dependent on user scenario*), Charging time: <3hrs
Mechanical	Dimensions (W x D x H)	280 x 18.3 x 180.1 mm (11 x 0.7 x 7.1 in)
	Weight	Approx. 980 g (2.2 lb)
Environment	Operating Temperature	-10 ~ 50 °C (14 ~ 122 °F)
	Storage Temperature	-20 ~ 70 °C (-4 ~ 158 °F)
	IP Rating	IP65
	Shock	Operating: 10 ~ 20 G, 11 ms; Non-operating: 50 G, 11 ms
	Vibration	Operating: (5 ~ 500 Hz) 0.5 ~ 1 G; Non-operating: (5 ~ 500 Hz) 0.04 PSD
	Humidity	Operating: 10 ~ 90% @ 40 °C non-condensing Storage: -10 ~ 95% non-condensing
	Altitude	Operating: sea level 0 to 3048 m (10k ft); Storage: sea level 0 to 12192 m (40k ft)
	Drop Tested	Up to 120 cm (4 ft) onto plywood over concrete
	Certifications/Safety/EMC	CE, CB, VCCI, UL60950 (ITE), UL2054, UN38.3, IEC62133, PSE for battery pack, FCC ID/PTCRB/R&TTE/SRRC/TELEC, FCC15 Class B, CE Mark (DOC Class B), REACH, RoHS

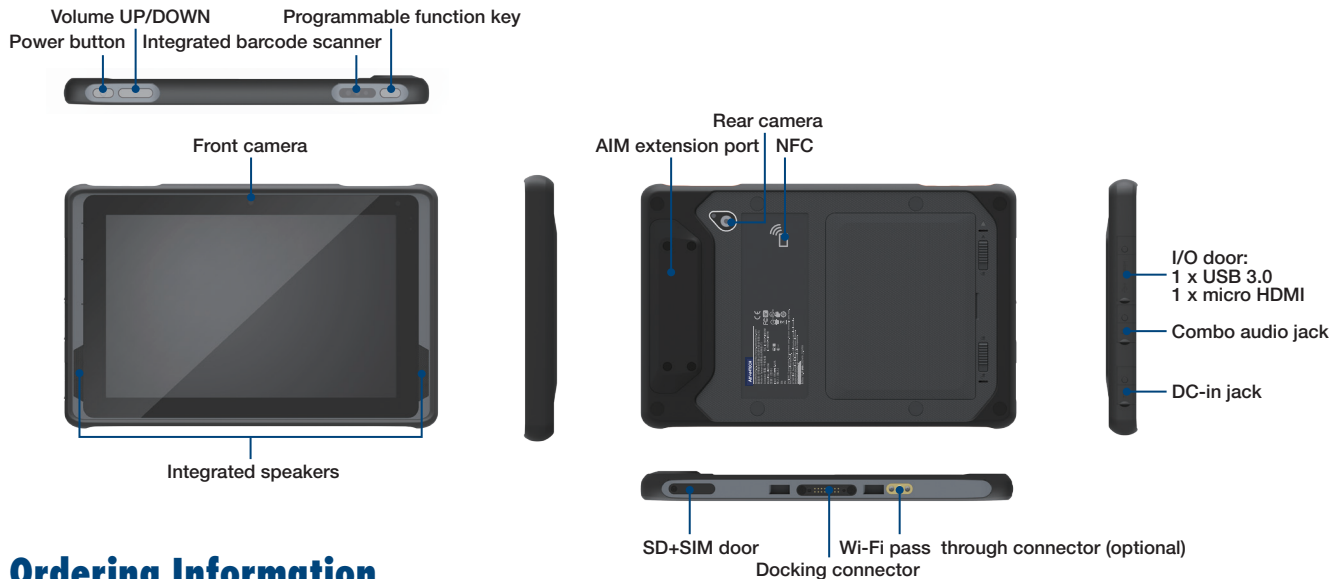
**Testing method: JEITA 2.0. The battery duration and recharge time may vary according to different factors such as screen brightness, applications, features, power management, battery condition, and other configurable settings.

Dimensions

Unit: mm



Front/Rear/Side I/O View



Ordering Information

Part Number	CPU	Memory	Storage	LCD	Barcode	NFC	Wi-Fi/BT	Wi-Fi Pass Through	LTE+GPS	F-Camera	R-Camera	OS
AIM-68CT-C2101000	Intel CHT I Z8750	4 GB	64 GB	380 nits	X	V	V	X	X	2M	5M	Win 10 IoT Enterprise
AIM-68CT-C21B1000	Intel CHT I Z8750	4 GB	64 GB	380 nits	V	V	V	X	X	2M	5M	Win 10 IoT Enterprise
AIM-68CT-C2103000	Intel CHT I Z8750	4 GB	64 GB	380 nits	X	V	V	X	V (NA)	2M	5M	Win 10 IoT Enterprise
AIM-68CT-C2105000	Intel CHT I Z8750	4 GB	64 GB	380 nits	X	V	V	X	V (EU)	2M	5M	Win 10 IoT Enterprise
AIM-68CT-C2104000	Intel CHT I Z8750	4 GB	64 GB	800 nits	X	V	V	V	V (NA)	2M	5M	Win 10 IoT Enterprise
AIM-68CT-C2106000	Intel CHT I Z8750	4 GB	64 GB	800 nits	X	V	V	V	V (EU)	2M	5M	Win 10 IoT Enterprise
AIM-68CT-C3101000	Intel CHT I Z8750	4 GB	64 GB	380 nits	X	V	V	X	X	2M	5M	Android 6.0
AIM-68CT-C31B1000	Intel CHT I Z8750	4 GB	64 GB	380 nits	V	V	V	X	X	2M	5M	Android 6.0
AIM-68CT-C3103000	Intel CHT I Z8750	4 GB	64 GB	380 nits	X	V	V	X	V (NA)	2M	5M	Android 6.0
AIM-68CT-C3104000	Intel CHT I Z8750	4 GB	64 GB	380 nits	X	V	V	X	V (EU)	2M	5M	Android 6.0
AIM-68CT-C3105000	Intel CHT I Z8750	4 GB	64 GB	800 nits	X	V	V	V	V (NA)	2M	5M	Android 6.0
AIM-68CT-C3106000	Intel CHT I Z8750	4 GB	64 GB	800 nits	X	V	V	V	V (EU)	2M	5M	Android 6.0

Optional Accessories

Part Number	Description
1700001947	Power cord UL 2P 7A 125 V 183 cm
1700002141	Power cord PSE 2P 7A 125 V 183 cm
1700008972	Power cord CCC 2P 2.5A 250 V 183 cm
1700001948-11	Power cord EU 2P 2.5A 250 V 183 cm

AIM-68 Packing List

Description
1 x AIM-68
1 x 10.8V/2400mAh lithium-ion battery
1 x AC/DC adaptor
1 x 2-pin power cord

For sales inquiries or further information, please contact us at Mobile@advantech.com.tw

AIM-VEH10

Vehicle Docking Stations for AIM-68 Industrial-Grade Tablet



Features

- Compatible with 9 ~ 32 V_{DC} in-vehicle power supply
- Easy and instant single-handed docking and undocking
- Anti-theft locking mechanism
- External GPS antenna
- Programmable function keys
- High-density connectors
- Compliant with SAE J1455 for vibration and shock tolerance
- Safe and reliable design for vehicle applications

CE FCC CCC

Specifications

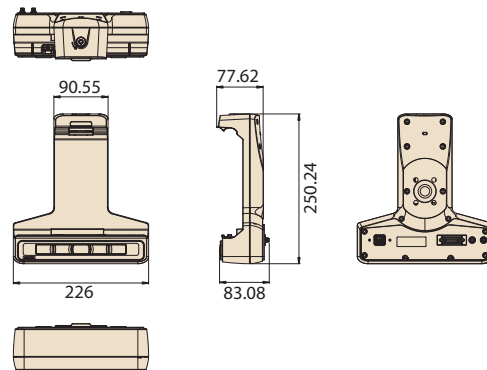
		Fully Configured Unit	Charging Dock Only
I/O	High-Density Connector	1 x CAN bus (supports raw CAN, J1939, OBD-II/ISO 15765) with configurable firmware	
		5 x Digital inputs	
		1 x Odometer (supports dry and wet contact) with configurable and switchable firmware (default wet contact)	
		2 x Digital outputs (supports speed pulse)	1 x Power input 12 V 1 A
		1 x RS-232 (4 wire)	
		1 x RS-232/485 (2 wire) (default RS-485, termination enabled)	
		1 x USB 2.0	
		1 x Power input 12 V 1 A	
		1 x RF pass through (optional)	
GPS	GPS Extended	1 x External GPS antenna	N/A
Function Keys		5 x Programmable function keys	N/A
Key Lock		Anti-theft key lock (key can be removed)	N/A
Power	Input Voltage	Supports 12/24 V vehicle power (9 ~ 32 VDC input range)	
Mechanical	Dimensions (W x D x H)	226 x 78.6 x 250.24 mm (8.9 x 3.1 x 9.9 in)	
	Weight	0.5 kg (1.10 lb) (TBD)	
Environment	Operating Temperature	-10 ~ 50 °C (14 ~ 122 °F); 0 ~ 40 °C (32 ~ 104 °F) for charging	
	Storage Temperature	-30 ~ 80 °C (-22 ~ 176 °F)	
	IP Rating	IP54	
	Vibration/Shock	SAE J1455	
	Safety	UL, CB, LVD, CCC	
	Vehicle Power Regulation	E-Mark, ISO7637-2	
	Certifications	CE, FCC, CCC	

Ordering Information

Part Number	Description
TBD	AIM vehicle docking station (full configuration)
TBD	AIM vehicle docking station (charging only)
1700026766-01	High-density cable
PWS-770-GPSAN00E	External GPS antenna
1700027666-01	Vehicle power cable (In-house engineer testing only)
1700027665-01	Vehicle power cable (vehicle battery)

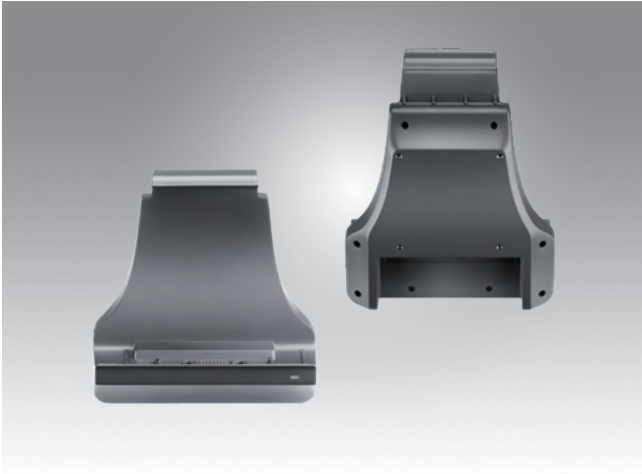
Dimensions

Unit: mm



AIM-VSD

VESA Docking Stations for AIM-68



Features

- 9 ~ 32 V wide input voltage range
- VESA (75 x 75 mm)-compliant docking stations
- -10 ~ 50 °C (14 ~122 °F) operating temperature
- Reliable docking connector for office applications

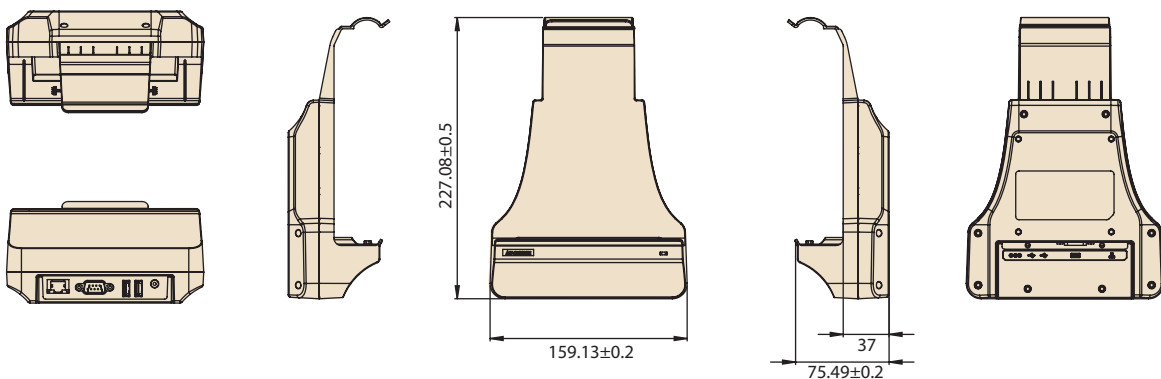
CE FCC

Specifications

		AIM 10 Advanced VESA Docking Station	AIM 10 VESA Docking Station with USB
I/O		2 x USB 3.0/2.0 1 x RS-232 COM 1 x Gigabit LAN 1 x Power jack	2 x USB 2.0 1 x Power jack
Stand		N/A	N/A
Power	Input Voltage	9 ~ 32 V	19 V
Mechanical	Dimensions (W x D x H)	159.13 x 75.49 x 227 mm (6.3 x 2.9 x 8.9 in)	159.13 x 75.49 x 227 mm (6.3 x 2.9 x 8.9 in)
	Weight	0.282 kg (0.62 lb)	0.28 kg (0.61 lb)
Environment	Operating Temperature	-10 ~ 50 °C (14 ~122 °F); 0 ~ 40 °C (32 ~104 °F) for charging	-10 ~ 50 °C (14 ~122 °F); 0 ~ 40 °C (32 ~104 °F) for charging
	Storage Temperature	-20 ~ 70 °C (-4 ~ 158 °F)	-20 ~ 70 °C (-4 ~ 158 °F)
	Safety	UL, CB, LVD, CCC	UL, CB, LVD, CCC
	Certifications	CE, FCC, CCC	CE, FCC, CCC

Dimensions

Unit: mm



Ordering Information

Part Number	Description
AIM-VSD0-0470	AIM 10 advanced VESA docking station
AIM-VSD0-0471	AIM 10 VESA docking station with USB

AIM-DDS

Desk Docking Stations for AIM-68



Features

- -10 ~ 50 °C (14 ~122 °F) operating temperature
- Reliable docking connector for office applications

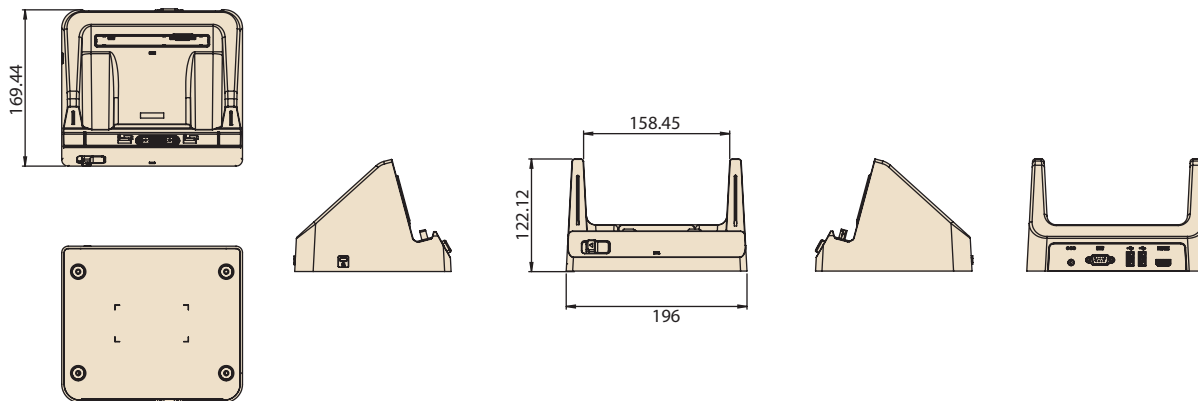
CE FCC CCC

Specifications

		AIM Advanced Desk Docking Station	AIM 10 Desk Docking Station
I/O		2 x USB 2.0 1 x RS-232 COM 1 x Power jack 1 x HDMI	2 x USB 2.0 1 x Power jack
Power	Input Voltage	19 V	19 V
Mechanical	Dimensions (W x D x H)	196 x 169.44 x 122.12 mm (7.72 x 6.67 x 4.81 in)	196 x 169.44 x 122.12 mm (7.72 x 6.67 x 4.81 in)
	Weight	0.745 kg (1.64 lb)	0.73 kg (1.60 lb)
Environment	Operating Temperature	-10 ~ 50 °C (14 ~122 °F); 0 ~ 40 °C (32 ~104 °F) for charging	-10 ~ 50 °C (14 ~122 °F); 0 ~ 40 °C (32 ~104 °F) for charging
	Storage Temperature	-20 ~ 70 °C (-4 ~ 158 °F)	-20 ~ 70 °C (-4 ~ 158 °F)
	Safety	CE, FCC, CCC	UL, CB, LVD, CCC
	Certifications	UL, CB, LVD, CCC	CE, FCC, CCC

Dimensions

Unit: mm



Ordering Information

Part Number	Description
AIM-OFD0-0480	AIM 10 advanced desk dock station
AIM-OFD0-0481	AIM 10 desk dock station

AIM-MCS

Multi-Bay Charging Station for AIM



Features

- Can charge up to 4 batteries simultaneously
- Overcurrent and overvoltage protection provided
- LED indicators for monitoring charging status

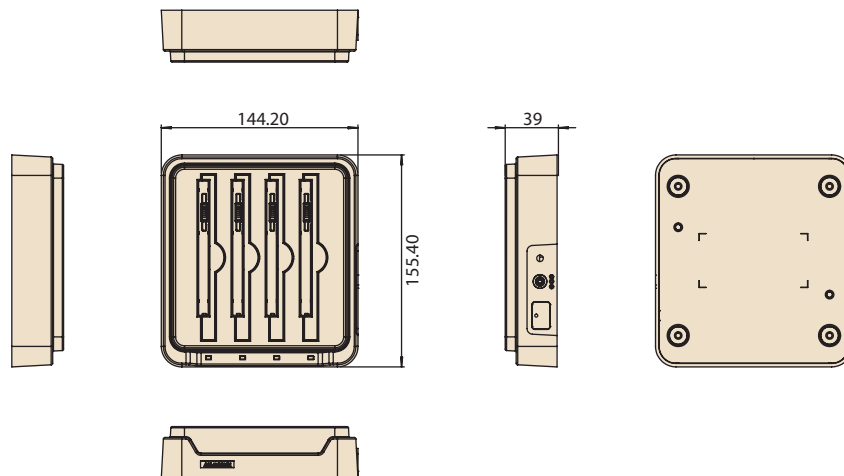


Specifications

		Multi-Battery Charging Station for AIM
Capacity	Number of Bays	4
	Charging Current	1 A
Power	Charging Voltage	12.6 V
	Input Voltage	19 V
	LED Indicators	Green: Full Amber: Charging Red: Error
Mechanical	Dimensions (W x D x H)	144.2 x 155.4 x 39 mm (5.7 x 6.1 x 1.5 in)
	Weight	0.48 kg (1.05 lb)
	Operating Temperature	0 ~ 40 °C (32 ~ 104 °F)
Environment	Storage Temperature	-10 ~ 50 °C (14 ~ 122 °F)
	Safety	UL, CB, LVD, CCC, RCM
	Certifications	CE, FCC, CCC, RCM, BSMI

Dimensions

Unit: mm



Ordering Information

Part Number	Description
AIM-MBC0-0051	Multi-battery charging station for AIM

AIM-68 Extensions and Accessories

Extension Modules

Barcode Scanner (20°)



Barcode Scanner (70°)



LAN + COM Module



UHF RFID Reader



Part Number	AIM-EXT0-0040	AIM-EXT0-0041	AIM-EXT0-0046	AIM-EXT0-0047 (EU)/ AIM-EXT0-0049 (US)
Color	Black	Black	Black	Black
Dimensions	130.2 x 38.7 x 27.8 mm (5.13 x 1.52 x 1.09 in)	130.2 x 38.7 x 32 mm (5.13 x 1.52 x 1.26 in)	130.2 x 70 x 29 mm (5.13 x 2.76 x 1.14 in)	130.2 x 70 x 45 mm (5.13 x 2.76 x 1.77 in)
Weight	0.042 kg (0.092 lb)	0.042 kg (0.092 lb)	0.078 kg (0.171 lb)	0.08 kg (0.176 lb)

Accessories

Hand Strap



Shoulder Strap



Active Stylus



Battery with Meter



Part Number	AIM-SRP0-0000	AIM-SRP0-0001	AIM-P704	AIM-BATO-0452
Color	Black	Black	Black	Black
Dimensions	240 x 20 mm (9.44 x 0.78 in)	380 x 135 x 20 mm (14.96 x 5.31 x 0.78 in)	140 x 9.7 mm (5.51 x 0.38 in)	120 x 87 x 7.5 mm (4.72 x 3.43 x 0.30 in)
Weight	0.022 kg (0.048 lb)	0.05 kg (0.11 lb)	0.02 kg (0.044 lb)	0.147 kg (0.324 lb)

AIM-68

10.1" Industrial Tablet with Intel® Atom™ Processor



Features

- Intel® Atom™ processor with Windows 10 IoT & Android 6.0 operating systems
- 10.1" WUXGA full HD display with scratch-resistant Corning® Gorilla® Glass 3 and multi-touch PCAP control
- WLAN, BT, NFC & 4G LTE technologies for seamless communication
- Optional docking stations include vehicle, VESA, and desk docking stations
- Optional extension modules such as 1D/2D barcode scanners and a LAN+COM module
- Optional accessories include a stylus, hand strap, and shoulder strap
- Additional modules and accessories can be customized according to application requirements



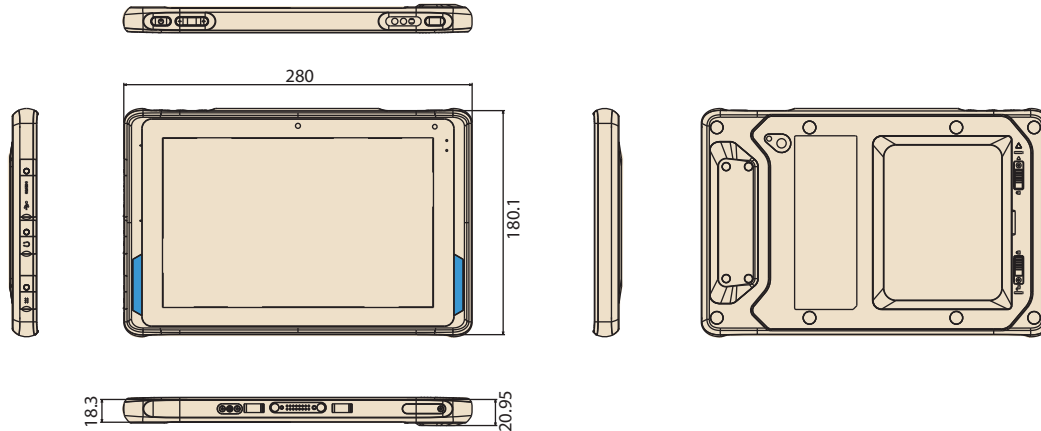
Specifications

System	Processor	Intel® Atom™ x7-Z8750 quad-core, 1.6 Ghz (2M cache, up to 2.56 Ghz)
	Memory	4 GB LPDDR3 (up to 8 GB)
	OS	Windows 10 IoT Enterprise, AIM Android 6.0
Storage	eMMC	64 GB default (up to 128 GB)
	Type	10.1" FHD LCD
Display	Resolution	WUXGA 1920 x 1200
	Brightness	380/800 cd/m ² (optional)
	Construction	Corning® Gorilla® Glass 3 with 10-point P-CAP touch control
Audio	Speaker	2 x internal speakers (2 W)
	Audio Jack	1 x audio combo jack (combines stereo audio output and mono microphone input)
	Camera	2.0-megapixel auto-focus camera
Sensors	Front	5.0-megapixel auto-focus camera with LED flash
	Rear	Ambient Light Sensor, G-sensor / eCompass
Barcode Scanner	Barcode Scanner (Optional)	Integrated 1D/2D barcode scanner
	Standard I/O	1 x micro HDMI, 1 x USB 3.0, 1 x combo audio jack, 1 x 19 VDC-in jack, 1 x SIM card reader, 1 x micro SD card reader
I/O Interface	Extended I/O	1 x AIM module pogo pin connector at rear for supporting AIM extension modules
	Docking	16-pin pogo pin connector
	Buttons	1 x power button, 2 x volume keys (up/down), 1 x programmable function key
	LED Indicator	Full: green (100%); Charging: blue; Low: red (≤10%)
Wireless Communication	WLAN/Bluetooth	IEEE 802.11a/b/g/n/ac, Bluetooth® v4.1
	WWAN (Optional)	4G LTE module with AGPS
	NFC	13.56 MHz
GNSS	Satellite System (Optional)	Standalone GPS supports GLONASS, BeiDou
Power System	Power Adapter	Input: 100-240 V ~ 1.5 A 50/60 Hz, Output: 19 V, Max.65 W
	Battery	Hot-swappable smart battery with capacity LED indicators; Capacity: 26 WHr Operating time: Approx. 5.5hrs operation (dependent on user scenario*), Charging time: <3hrs
Mechanical	Dimensions (W x D x H)	280 x 18.3 x 180.1 mm (11 x 0.7 x 7.1 in)
	Weight	Approx. 980 g (2.2 lb)
Environment	Operating Temperature	-10 ~ 50 °C (14 ~ 122 °F)
	Storage Temperature	-20 ~ 70 °C (-4 ~ 158 °F)
	IP Rating	IP65
	Shock	Operating: 10 ~ 20 G, 11 ms; Non-operating: 50 G, 11 ms
	Vibration	Operating: (5 ~ 500 Hz) 0.5 ~ 1 G; Non-operating: (5 ~ 500 Hz) 0.04 PSD
	Humidity	Operating: 10 ~ 90% @ 40 °C non-condensing Storage: -10 ~ 95% non-condensing
	Altitude	Operating: sea level 0 to 3048 m (10k ft); Storage: sea level 0 to 12192 m (40k ft)
	Drop Tested	Up to 120 cm (4 ft) onto plywood over concrete
	Certifications/Safety/EMC	CE, CB, VCCI, UL60950 (ITE), UL2054, UN38.3, IEC62133, PSE for battery pack, FCC ID/PTCRB/R&TTE/SRRC/TELEC, FCC15 Class B, CE Mark (DOC Class B), REACH, RoHS

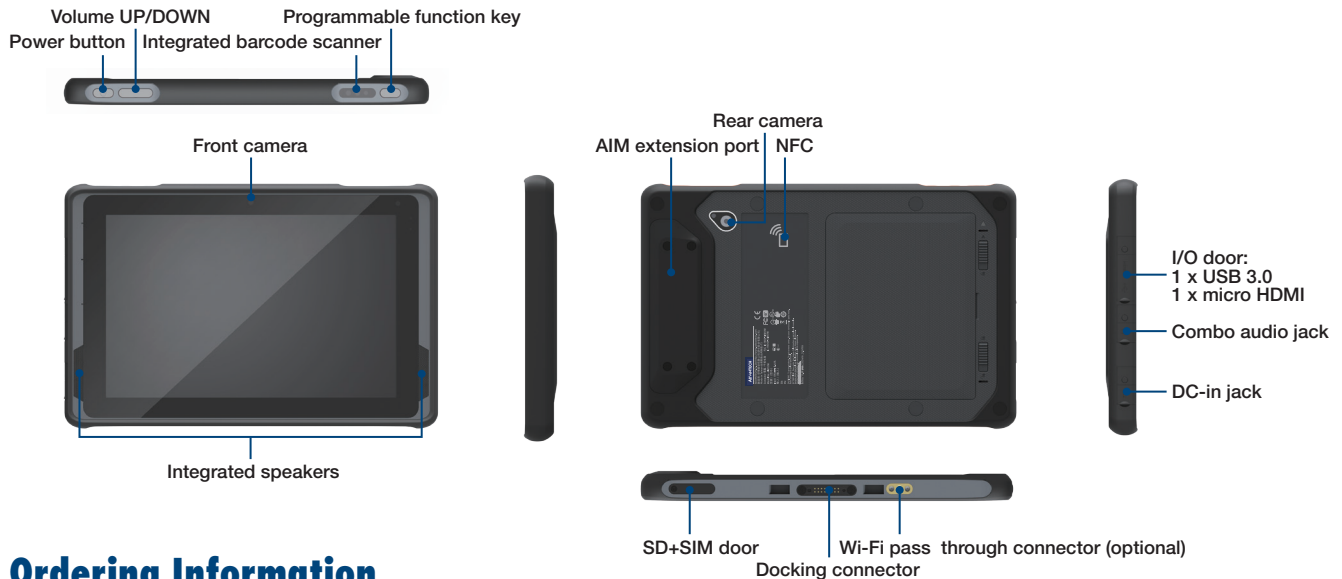
**Testing method: JEITA 2.0. The battery duration and recharge time may vary according to different factors such as screen brightness, applications, features, power management, battery condition, and other configurable settings.

Dimensions

Unit: mm



Front/Rear/Side I/O View



Ordering Information

Part Number	CPU	Memory	Storage	LCD	Barcode	NFC	Wi-Fi/BT	Wi-Fi Pass Through	LTE+GPS	F-Camera	R-Camera	OS
AIM-68CT-C2101000	Intel CHT Z8750	4 GB	64 GB	380 nits	X	V	V	X	X	2M	5M	Win 10 IoT Enterprise
AIM-68CT-C21B1000	Intel CHT Z8750	4 GB	64 GB	380 nits	V	V	V	X	X	2M	5M	Win 10 IoT Enterprise
AIM-68CT-C2103000	Intel CHT Z8750	4 GB	64 GB	380 nits	X	V	V	X	V (NA)	2M	5M	Win 10 IoT Enterprise
AIM-68CT-C2105000	Intel CHT Z8750	4 GB	64 GB	380 nits	X	V	V	X	V (EU)	2M	5M	Win 10 IoT Enterprise
AIM-68CT-C2104000	Intel CHT Z8750	4 GB	64 GB	800 nits	X	V	V	V	V (NA)	2M	5M	Win 10 IoT Enterprise
AIM-68CT-C2106000	Intel CHT Z8750	4 GB	64 GB	800 nits	X	V	V	V	V (EU)	2M	5M	Win 10 IoT Enterprise
AIM-68CT-C3101000	Intel CHT Z8750	4 GB	64 GB	380 nits	X	V	V	X	X	2M	5M	Android 6.0
AIM-68CT-C31B1000	Intel CHT Z8750	4 GB	64 GB	380 nits	V	V	V	X	X	2M	5M	Android 6.0
AIM-68CT-C3103000	Intel CHT Z8750	4 GB	64 GB	380 nits	X	V	V	X	V (NA)	2M	5M	Android 6.0
AIM-68CT-C3104000	Intel CHT Z8750	4 GB	64 GB	380 nits	X	V	V	X	V (EU)	2M	5M	Android 6.0
AIM-68CT-C3105000	Intel CHT Z8750	4 GB	64 GB	800 nits	X	V	V	V	V (NA)	2M	5M	Android 6.0
AIM-68CT-C3106000	Intel CHT Z8750	4 GB	64 GB	800 nits	X	V	V	V	V (EU)	2M	5M	Android 6.0

Optional Accessories

Part Number	Description
1700001947	Power cord UL 2P 7A 125 V 183 cm
1700002141	Power cord PSE 2P 7A 125 V 183 cm
1700008972	Power cord CCC 2P 2.5A 250 V 183 cm
1700001948-11	Power cord EU 2P 2.5A 250 V 183 cm

AIM-68 Packing List

Description
1 x AIM-68
1 x 10.8V/2400mAh lithium-ion battery
1 x AC/DC adaptor
1 x 2-pin power cord

For sales inquiries or further information, please contact us at Mobile@advantech.com.tw

AIM-VEH10

Vehicle Docking Stations for AIM-68 Industrial-Grade Tablet



Features

- Compatible with 9 ~ 32 V_{DC} in-vehicle power supply
- Easy and instant single-handed docking and undocking
- Anti-theft locking mechanism
- External GPS antenna
- Programmable function keys
- High-density connectors
- Compliant with SAE J1455 for vibration and shock tolerance
- Safe and reliable design for vehicle applications

CE FCC CCC

Specifications

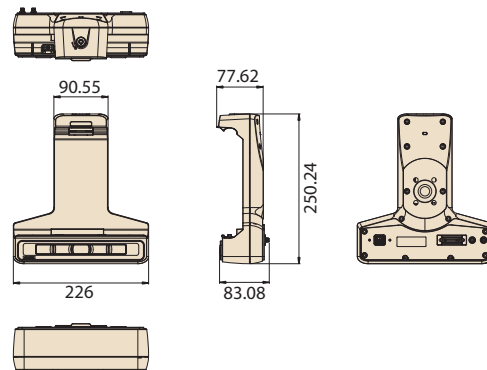
		Fully Configured Unit	Charging Dock Only
I/O	High-Density Connector	1 x CAN bus (supports raw CAN, J1939, OBD-II/ISO 15765) with configurable firmware	
		5 x Digital inputs	
		1 x Odometer (supports dry and wet contact) with configurable and switchable firmware (default wet contact)	
		2 x Digital outputs (supports speed pulse)	1 x Power input 12 V 1 A
		1 x RS-232 (4 wire)	
		1 x RS-232/485 (2 wire) (default RS-485, termination enabled)	
		1 x USB 2.0	
		1 x Power input 12 V 1 A	
		1 x RF pass through (optional)	
GPS	GPS Extended	1 x External GPS antenna	N/A
Function Keys		5 x Programmable function keys	N/A
Key Lock		Anti-theft key lock (key can be removed)	N/A
Power	Input Voltage	Supports 12/24 V vehicle power (9 ~ 32 VDC input range)	
Mechanical	Dimensions (W x D x H)	226 x 78.6 x 250.24 mm (8.9 x 3.1 x 9.9 in)	
	Weight	0.5 kg (1.10 lb) (TBD)	
Environment	Operating Temperature	-10 ~ 50 °C (14 ~ 122 °F); 0 ~ 40 °C (32 ~ 104 °F) for charging	
	Storage Temperature	-30 ~ 80 °C (-22 ~ 176 °F)	
	IP Rating	IP54	
	Vibration/Shock	SAE J1455	
	Safety	UL, CB, LVD, CCC	
	Vehicle Power Regulation	E-Mark, ISO7637-2	
	Certifications	CE, FCC, CCC	

Ordering Information

Part Number	Description
TBD	AIM vehicle docking station (full configuration)
TBD	AIM vehicle docking station (charging only)
1700026766-01	High-density cable
PWS-770-GPSAN00E	External GPS antenna
1700027666-01	Vehicle power cable (In-house engineer testing only)
1700027665-01	Vehicle power cable (vehicle battery)

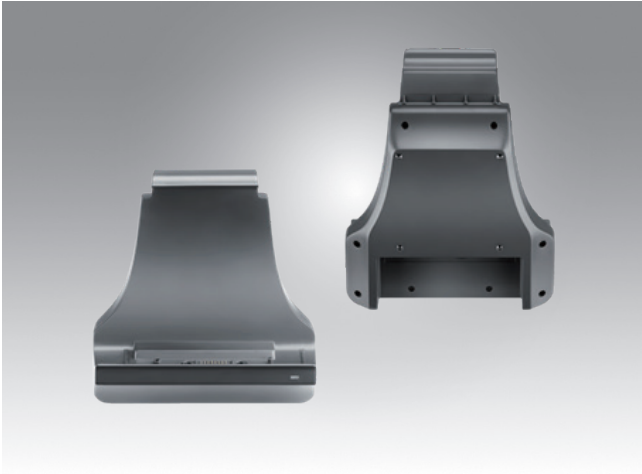
Dimensions

Unit: mm



AIM-VSD

VESA Docking Stations for AIM-68



Features

- 9 ~ 32 V wide input voltage range
- VESA (75 x 75 mm)-compliant docking stations
- -10 ~ 50 °C (14 ~122 °F) operating temperature
- Reliable docking connector for office applications

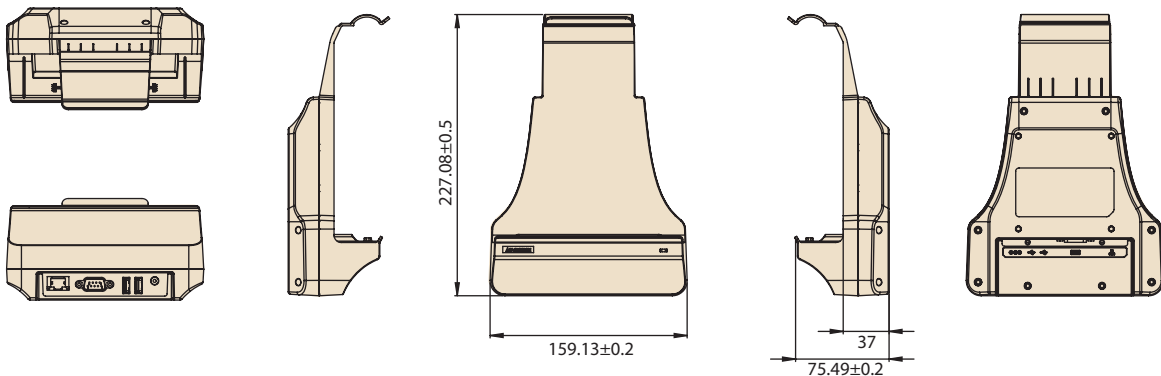
CE FCC

Specifications

		AIM 10 Advanced VESA Docking Station	AIM 10 VESA Docking Station with USB
I/O		2 x USB 3.0/2.0 1 x RS-232 COM 1 x Gigabit LAN 1 x Power jack	2 x USB 2.0 1 x Power jack
Stand		N/A	N/A
Power	Input Voltage	9 ~ 32 V	19 V
Mechanical	Dimensions (W x D x H)	159.13 x 75.49 x 227 mm (6.3 x 2.9 x 8.9 in)	159.13 x 75.49 x 227 mm (6.3 x 2.9 x 8.9 in)
	Weight	0.282 kg (0.62 lb)	0.28 kg (0.61 lb)
Environment	Operating Temperature	-10 ~ 50 °C (14 ~122 °F); 0 ~ 40 °C (32 ~104 °F) for charging	-10 ~ 50 °C (14 ~122 °F); 0 ~ 40 °C (32 ~104 °F) for charging
	Storage Temperature	-20 ~ 70 °C (-4 ~ 158 °F)	-20 ~ 70 °C (-4 ~ 158 °F)
	Safety	UL, CB, LVD, CCC	UL, CB, LVD, CCC
	Certifications	CE, FCC, CCC	CE, FCC, CCC

Dimensions

Unit: mm



Ordering Information

Part Number	Description
AIM-VSD0-0470	AIM 10 advanced VESA docking station
AIM-VSD0-0471	AIM 10 VESA docking station with USB

AIM-DDS

Desk Docking Stations for AIM-68



Features

- -10 ~ 50 °C (14 ~122 °F) operating temperature
- Reliable docking connector for office applications

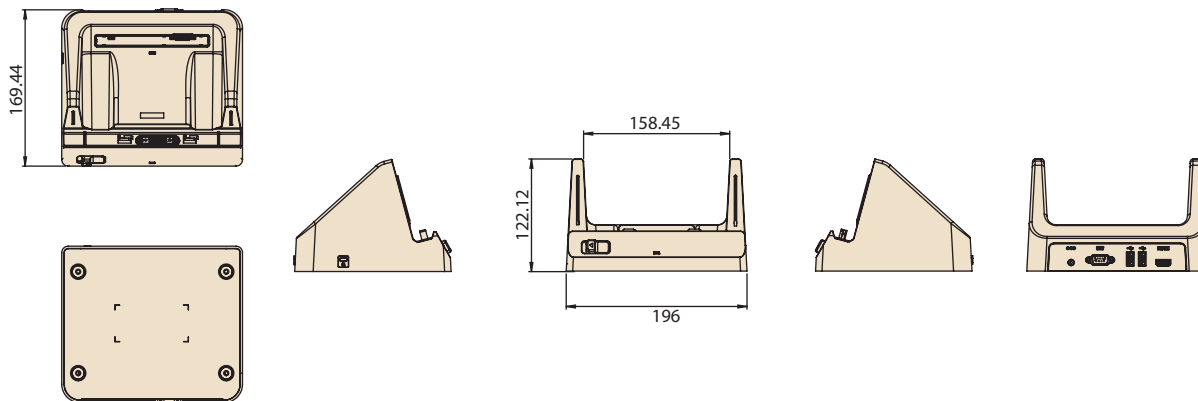
CE FCC CCC

Specifications

		AIM Advanced Desk Docking Station	AIM 10 Desk Docking Station
I/O		2 x USB 2.0 1 x RS-232 COM 1 x Power jack 1 x HDMI	2 x USB 2.0 1 x Power jack
Power	Input Voltage	19 V	19 V
Mechanical	Dimensions (W x D x H)	196 x 169.44 x 122.12 mm (7.72 x 6.67 x 4.81 in)	196 x 169.44 x 122.12 mm (7.72 x 6.67 x 4.81 in)
	Weight	0.745 kg (1.64 lb)	0.73 kg (1.60 lb)
Environment	Operating Temperature	-10 ~ 50 °C (14 ~122 °F); 0 ~ 40 °C (32 ~104 °F) for charging	-10 ~ 50 °C (14 ~122 °F); 0 ~ 40 °C (32 ~104 °F) for charging
	Storage Temperature	-20 ~ 70 °C (-4 ~ 158 °F)	-20 ~ 70 °C (-4 ~ 158 °F)
	Safety	CE, FCC, CCC	UL, CB, LVD, CCC
	Certifications	UL, CB, LVD, CCC	CE, FCC, CCC

Dimensions

Unit: mm

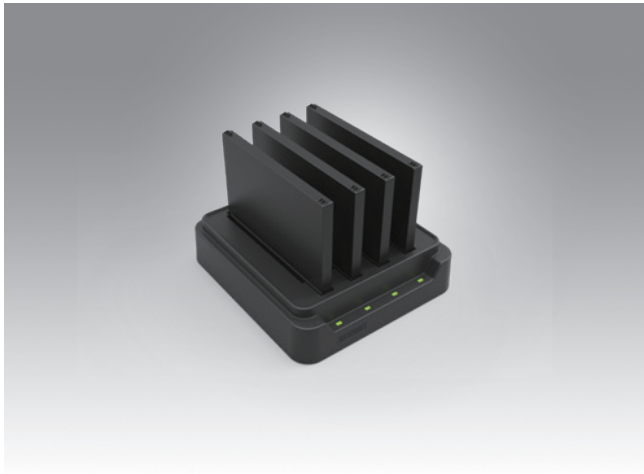


Ordering Information

Part Number	Description
AIM-OFD0-0480	AIM 10 advanced desk dock station
AIM-OFD0-0481	AIM 10 desk dock station

AIM-MCS

Multi-Bay Charging Station for AIM



Features

- Can charge up to 4 batteries simultaneously
- Overcurrent and overvoltage protection provided
- LED indicators for monitoring charging status

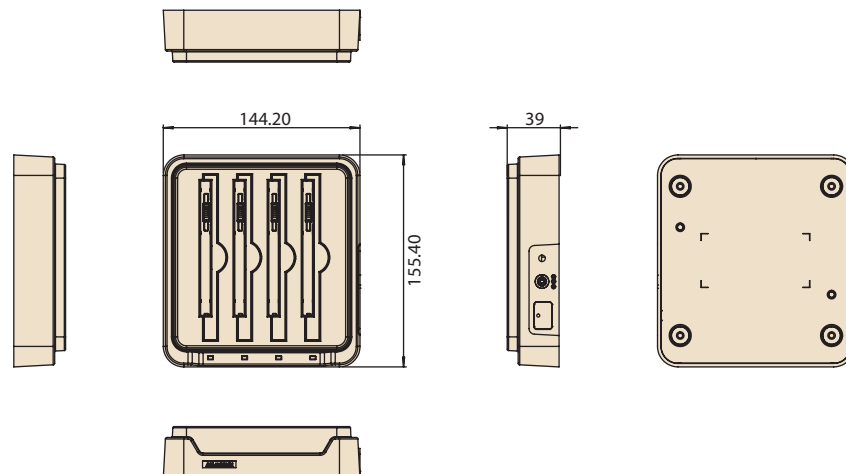


Specifications

		Multi-Battery Charging Station for AIM
Capacity	Number of Bays	4
	Charging Current	1 A
Power	Charging Voltage	12.6 V
	Input Voltage	19 V
	LED Indicators	Green: Full Amber: Charging Red: Error
Mechanical	Dimensions (W x D x H)	144.2 x 155.4 x 39 mm (5.7 x 6.1 x 1.5 in)
	Weight	0.48 kg (1.05 lb)
	Operating Temperature	0 ~ 40 °C (32 ~ 104 °F)
Environment	Storage Temperature	-10 ~ 50 °C (14 ~ 122 °F)
	Safety	UL, CB, LVD, CCC, RCM
	Certifications	CE, FCC, CCC, RCM, BSMI

Dimensions

Unit: mm



Ordering Information

Part Number	Description
AIM-MBC0-0051	Multi-battery charging station for AIM

AIM-68 Extensions and Accessories

Extension Modules

Barcode Scanner (20°)



Barcode Scanner (70°)



LAN + COM Module



UHF RFID Reader



Part Number	AIM-EXT0-0040	AIM-EXT0-0041	AIM-EXT0-0046	AIM-EXT0-0047 (EU)/ AIM-EXT0-0049 (US)
Color	Black	Black	Black	Black
Dimensions	130.2 x 38.7 x 27.8 mm (5.13 x 1.52 x 1.09 in)	130.2 x 38.7 x 32 mm (5.13 x 1.52 x 1.26 in)	130.2 x 70 x 29 mm (5.13 x 2.76 x 1.14 in)	130.2 x 70 x 45 mm (5.13 x 2.76 x 1.77 in)
Weight	0.042 kg (0.092 lb)	0.042 kg (0.092 lb)	0.078 kg (0.171 lb)	0.08 kg (0.176 lb)

Accessories

Hand Strap



Shoulder Strap



Active Stylus



Battery with Meter



Part Number	AIM-SRP0-0000	AIM-SRP0-0001	AIM-P704	AIM-BATO-0452
Color	Black	Black	Black	Black
Dimensions	240 x 20 mm (9.44 x 0.78 in)	380 x 135 x 20 mm (14.96 x 5.31 x 0.78 in)	140 x 9.7 mm (5.51 x 0.38 in)	120 x 87 x 7.5 mm (4.72 x 3.43 x 0.30 in)
Weight	0.022 kg (0.048 lb)	0.05 kg (0.11 lb)	0.02 kg (0.044 lb)	0.147 kg (0.324 lb)

AIM-68

10.1" Industrial Tablet with Intel® Atom™ Processor



Features

- Intel® Atom™ processor with Windows 10 IoT & Android 6.0 operating systems
- 10.1" WUXGA full HD display with scratch-resistant Corning® Gorilla® Glass 3 and multi-touch PCAP control
- WLAN, BT, NFC & 4G LTE technologies for seamless communication
- Optional docking stations include vehicle, VESA, and desk docking stations
- Optional extension modules such as 1D/2D barcode scanners and a LAN+COM module
- Optional accessories include a stylus, hand strap, and shoulder strap
- Additional modules and accessories can be customized according to application requirements



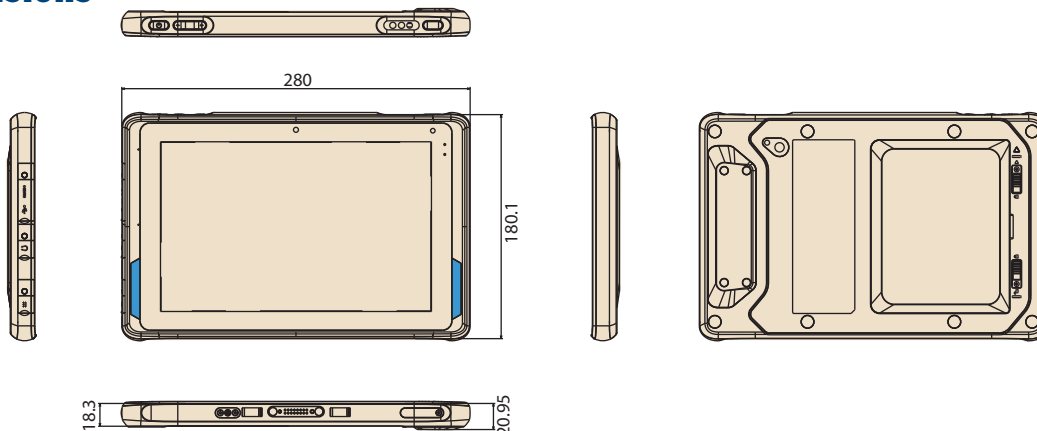
Specifications

System	Processor	Intel® Atom™ x7-Z8750 quad-core, 1.6 Ghz (2M cache, up to 2.56 Ghz)
	Memory	4 GB LPDDR3 (up to 8 GB)
	OS	Windows 10 IoT Enterprise, AIM Android 6.0
Storage	eMMC	64 GB default (up to 128 GB)
	Type	10.1" FHD LCD
Display	Resolution	WUXGA 1920 x 1200
	Brightness	380/800 cd/m ² (optional)
	Construction	Corning® Gorilla® Glass 3 with 10-point P-CAP touch control
Audio	Speaker	2 x internal speakers (2 W)
	Audio Jack	1 x audio combo jack (combines stereo audio output and mono microphone input)
	Camera	2.0-megapixel auto-focus camera
Sensors	Front	5.0-megapixel auto-focus camera with LED flash
	Rear	Ambient Light Sensor, G-sensor / eCompass
Barcode Scanner	Barcode Scanner (Optional)	Integrated 1D/2D barcode scanner
	Standard I/O	1 x micro HDMI, 1 x USB 3.0, 1 x combo audio jack, 1 x 19 VDC-in jack, 1 x SIM card reader, 1 x micro SD card reader
I/O Interface	Extended I/O	1 x AIM module pogo pin connector at rear for supporting AIM extension modules
	Docking	16-pin pogo pin connector
	Buttons	1 x power button, 2 x volume keys (up/down), 1 x programmable function key
	LED Indicator	Full: green (100%); Charging: blue; Low: red (≤10%)
Wireless Communication	WLAN/Bluetooth	IEEE 802.11a/b/g/n/ac, Bluetooth® v4.1
	WWAN (Optional)	4G LTE module with AGPS
	NFC	13.56 MHz
GNSS	Satellite System (Optional)	Standalone GPS supports GLONASS, BeiDou
	Power Adapter	Input: 100-240 V ~ 1.5 A 50/60 Hz, Output: 19 V, Max.65 W
Power System	Battery	Hot-swappable smart battery with capacity LED indicators; Capacity: 26 WHr Operating time: Approx. 5.5hrs operation (dependent on user scenario*), Charging time: <3hrs
	Dimensions (W x D x H)	280 x 18.3 x 180.1 mm (11 x 0.7 x 7.1 in)
Environment	Weight	Approx. 980 g (2.2 lb)
	Operating Temperature	-10 ~ 50 °C (14 ~ 122 °F)
	Storage Temperature	-20 ~ 70 °C (-4 ~ 158 °F)
	IP Rating	IP65
	Shock	Operating: 10 ~ 20 G, 11 ms; Non-operating: 50 G, 11 ms
	Vibration	Operating: (5 ~ 500 Hz) 0.5 ~ 1 G; Non-operating: (5 ~ 500 Hz) 0.04 PSD
	Humidity	Operating: 10 ~ 90% @ 40 °C non-condensing Storage: -10 ~ 95% non-condensing
	Altitude	Operating: sea level 0 to 3048 m (10k ft); Storage: sea level 0 to 12192 m (40k ft)
	Drop Tested	Up to 120 cm (4 ft) onto plywood over concrete
	Certifications/Safety/EMC	CE, CB, VCCI, UL60950 (ITE), UL2054, UN38.3, IEC62133, PSE for battery pack, FCC ID/PTCRB/R&TTE/SRRC/TELEC, FCC15 Class B, CE Mark (DOC Class B), REACH, RoHS

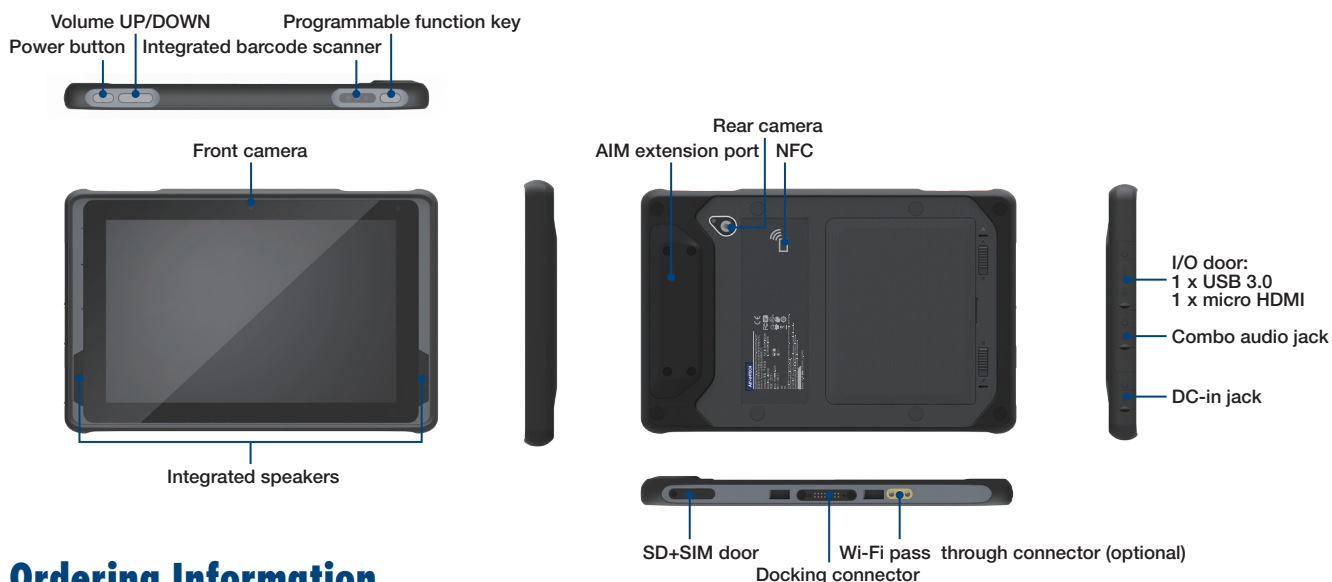
**Testing method: JEITA 2.0. The battery duration and recharge time may vary according to different factors such as screen brightness, applications, features, power management, battery condition, and other configurable settings.

Dimensions

Unit: mm



Front/Rear/Side I/O View



Ordering Information

Part Number	CPU	Memory	Storage	LCD	Barcode	NFC	Wi-Fi/BT	Wi-Fi Pass Through	LTE+GPS	F-Camera	R-Camera	OS
AIM-68CT-C2101000	Intel CHT Z8750	4 GB	64 GB	380 nits	X	V	V	X	X	2M	5M	Win 10 IoT Enterprise
AIM-68CT-C21B1000	Intel CHT Z8750	4 GB	64 GB	380 nits	V	V	V	X	X	2M	5M	Win 10 IoT Enterprise
AIM-68CT-C2103000	Intel CHT Z8750	4 GB	64 GB	380 nits	X	V	V	X	V (NA)	2M	5M	Win 10 IoT Enterprise
AIM-68CT-C2105000	Intel CHT Z8750	4 GB	64 GB	380 nits	X	V	V	X	V (EU)	2M	5M	Win 10 IoT Enterprise
AIM-68CT-C2104000	Intel CHT Z8750	4 GB	64 GB	800 nits	X	V	V	V	V (NA)	2M	5M	Win 10 IoT Enterprise
AIM-68CT-C2106000	Intel CHT Z8750	4 GB	64 GB	800 nits	X	V	V	V	V (EU)	2M	5M	Win 10 IoT Enterprise
AIM-68CT-C3101000	Intel CHT Z8750	4 GB	64 GB	380 nits	X	V	V	X	X	2M	5M	Android 6.0
AIM-68CT-C31B1000	Intel CHT Z8750	4 GB	64 GB	380 nits	V	V	V	X	X	2M	5M	Android 6.0
AIM-68CT-C3103000	Intel CHT Z8750	4 GB	64 GB	380 nits	X	V	V	X	V (NA)	2M	5M	Android 6.0
AIM-68CT-C3104000	Intel CHT Z8750	4 GB	64 GB	380 nits	X	V	V	X	V (EU)	2M	5M	Android 6.0
AIM-68CT-C3105000	Intel CHT Z8750	4 GB	64 GB	800 nits	X	V	V	V	V (NA)	2M	5M	Android 6.0
AIM-68CT-C3106000	Intel CHT Z8750	4 GB	64 GB	800 nits	X	V	V	V	V (EU)	2M	5M	Android 6.0

Optional Accessories

Part Number	Description
1700001947	Power cord UL 2P 7A 125 V 183 cm
1700002141	Power cord PSE 2P 7A 125 V 183 cm
1700008972	Power cord CCC 2P 2.5A 250 V 183 cm
1700001948-11	Power cord EU 2P 2.5A 250 V 183 cm

AIM-68 Packing List

Description
1 x AIM-68
1 x 10.8V/2400mAh lithium-ion battery
1 x AC/DC adaptor
1 x 2-pin power cord

For sales inquiries or further information, please contact us at Mobile@advantech.com.tw

AIM-VEH10

Vehicle Docking Stations for AIM-68 Industrial-Grade Tablet



Features

- Compatible with 9 ~ 32 V_{DC} in-vehicle power supply
- Easy and instant single-handed docking and undocking
- Anti-theft locking mechanism
- External GPS antenna
- Programmable function keys
- High-density connectors
- Compliant with SAE J1455 for vibration and shock tolerance
- Safe and reliable design for vehicle applications

CE FCC CCC

Specifications

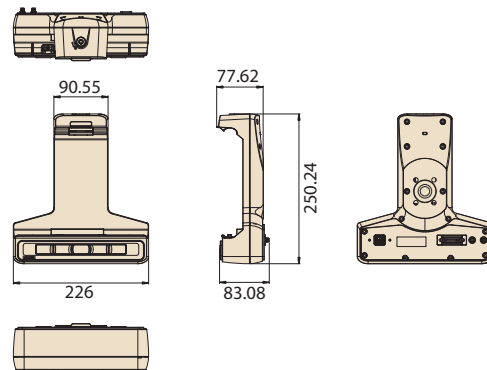
		Fully Configured Unit	Charging Dock Only
I/O	High-Density Connector	1 x CAN bus (supports raw CAN, J1939, OBD-II/ISO 15765) with configurable firmware	
		5 x Digital inputs	
		1 x Odometer (supports dry and wet contact) with configurable and switchable firmware (default wet contact)	
		2 x Digital outputs (supports speed pulse)	1 x Power input 12 V 1 A
		1 x RS-232 (4 wire)	
		1 x RS-232/485 (2 wire) (default RS-485, termination enabled)	
		1 x USB 2.0	
		1 x Power input 12 V 1 A	
		1 x RF pass through (optional)	
GPS	GPS Extended	1 x External GPS antenna	N/A
Function Keys		5 x Programmable function keys	N/A
Key Lock		Anti-theft key lock (key can be removed)	N/A
Power	Input Voltage	Supports 12/24 V vehicle power (9 ~ 32 VDC input range)	
Mechanical	Dimensions (W x D x H)	226 x 78.6 x 250.24 mm (8.9 x 3.1 x 9.9 in)	
	Weight	0.5 kg (1.10 lb) (TBD)	
Environment	Operating Temperature	-10 ~ 50 °C (14 ~ 122 °F); 0 ~ 40 °C (32 ~ 104 °F) for charging	
	Storage Temperature	-30 ~ 80 °C (-22 ~ 176 °F)	
	IP Rating	IP54	
	Vibration/Shock	SAE J1455	
	Safety	UL, CB, LVD, CCC	
	Vehicle Power Regulation	E-Mark, ISO7637-2	
	Certifications	CE, FCC, CCC	

Ordering Information

Part Number	Description
TBD	AIM vehicle docking station (full configuration)
TBD	AIM vehicle docking station (charging only)
1700026766-01	High-density cable
PWS-770-GPSAN00E	External GPS antenna
1700027666-01	Vehicle power cable (In-house engineer testing only)
1700027665-01	Vehicle power cable (vehicle battery)

Dimensions

Unit: mm



AIM-VSD

VESA Docking Stations for AIM-68



Features

- 9 ~ 32 V wide input voltage range
- VESA (75 x 75 mm)-compliant docking stations
- -10 ~ 50 °C (14 ~122 °F) operating temperature
- Reliable docking connector for office applications

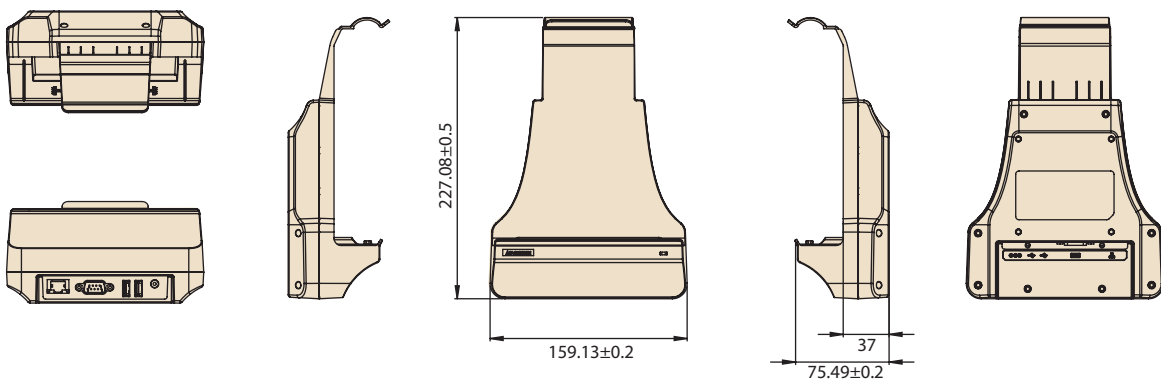
CE FCC

Specifications

		AIM 10 Advanced VESA Docking Station	AIM 10 VESA Docking Station with USB
I/O		2 x USB 3.0/2.0 1 x RS-232 COM 1 x Gigabit LAN 1 x Power jack	2 x USB 2.0 1 x Power jack
Stand		N/A	N/A
Power	Input Voltage	9 ~ 32 V	19 V
Mechanical	Dimensions (W x D x H)	159.13 x 75.49 x 227 mm (6.3 x 2.9 x 8.9 in)	159.13 x 75.49 x 227 mm (6.3 x 2.9 x 8.9 in)
	Weight	0.282 kg (0.62 lb)	0.28 kg (0.61 lb)
Environment	Operating Temperature	-10 ~ 50 °C (14 ~122 °F); 0 ~ 40 °C (32 ~104 °F) for charging	-10 ~ 50 °C (14 ~122 °F); 0 ~ 40 °C (32 ~104 °F) for charging
	Storage Temperature	-20 ~ 70 °C (-4 ~ 158 °F)	-20 ~ 70 °C (-4 ~ 158 °F)
	Safety	UL, CB, LVD, CCC	UL, CB, LVD, CCC
	Certifications	CE, FCC, CCC	CE, FCC, CCC

Dimensions

Unit: mm



Ordering Information

Part Number	Description
AIM-VSD0-0470	AIM 10 advanced VESA docking station
AIM-VSD0-0471	AIM 10 VESA docking station with USB

AIM-DDS

Desk Docking Stations for AIM-68



Features

- -10 ~ 50 °C (14 ~122 °F) operating temperature
- Reliable docking connector for office applications

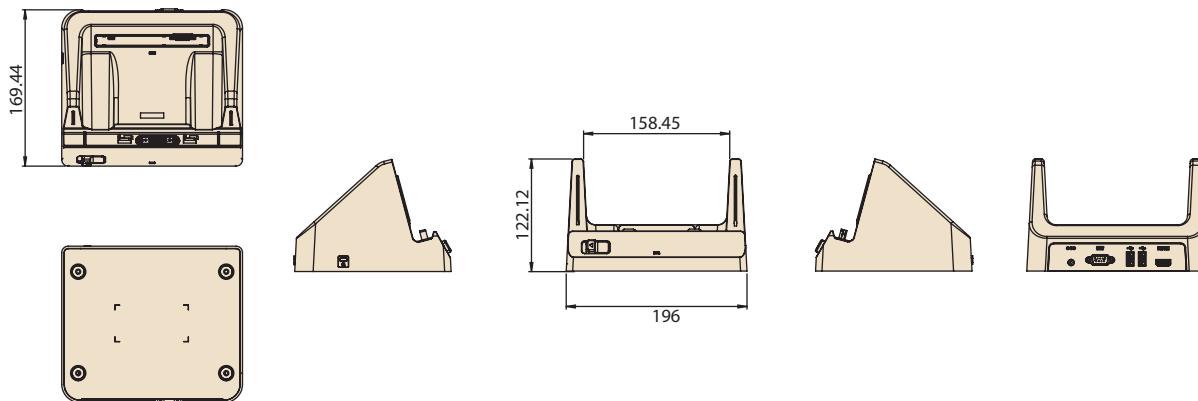
CE FCC CCC

Specifications

		AIM Advanced Desk Docking Station	AIM 10 Desk Docking Station
I/O		2 x USB 2.0 1 x RS-232 COM 1 x Power jack 1 x HDMI	2 x USB 2.0 1 x Power jack
Power	Input Voltage	19 V	19 V
Mechanical	Dimensions (W x D x H)	196 x 169.44 x 122.12 mm (7.72 x 6.67 x 4.81 in)	196 x 169.44 x 122.12 mm (7.72 x 6.67 x 4.81 in)
	Weight	0.745 kg (1.64 lb)	0.73 kg (1.60 lb)
Environment	Operating Temperature	-10 ~ 50 °C (14 ~122 °F); 0 ~ 40 °C (32 ~104 °F) for charging	-10 ~ 50 °C (14 ~122 °F); 0 ~ 40 °C (32 ~104 °F) for charging
	Storage Temperature	-20 ~ 70 °C (-4 ~ 158 °F)	-20 ~ 70 °C (-4 ~ 158 °F)
	Safety	CE, FCC, CCC	UL, CB, LVD, CCC
	Certifications	UL, CB, LVD, CCC	CE, FCC, CCC

Dimensions

Unit: mm

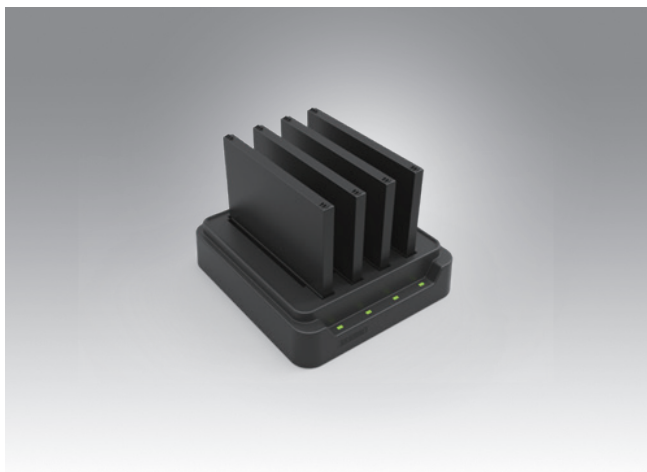


Ordering Information

Part Number	Description
AIM-OFD0-0480	AIM 10 advanced desk dock station
AIM-OFD0-0481	AIM 10 desk dock station

AIM-MCS

Multi-Bay Charging Station for AIM



Features

- Can charge up to 4 batteries simultaneously
- Overcurrent and overvoltage protection provided
- LED indicators for monitoring charging status

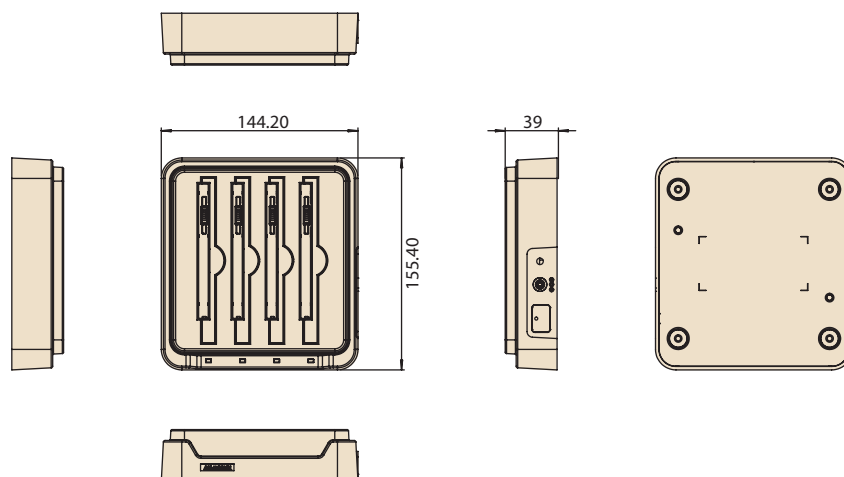


Specifications

		Multi-Battery Charging Station for AIM
Capacity	Number of Bays	4
	Charging Current	1 A
Power	Charging Voltage	12.6 V
	Input Voltage	19 V
	LED Indicators	Green: Full Amber: Charging Red: Error
Mechanical	Dimensions (W x D x H)	144.2 x 155.4 x 39 mm (5.7 x 6.1 x 1.5 in)
	Weight	0.48 kg (1.05 lb)
	Operating Temperature	0 ~ 40 °C (32 ~ 104 °F)
Environment	Storage Temperature	-10 ~ 50 °C (14 ~ 122 °F)
	Safety	UL, CB, LVD, CCC, RCM
	Certifications	CE, FCC, CCC, RCM, BSMI

Dimensions

Unit: mm



Ordering Information

Part Number	Description
AIM-MBC0-0051	Multi-battery charging station for AIM

AIM-68 Extensions and Accessories

Extension Modules

Barcode Scanner (20°)



Barcode Scanner (70°)



LAN + COM Module



UHF RFID Reader



Part Number	AIM-EXT0-0040	AIM-EXT0-0041	AIM-EXT0-0046	AIM-EXT0-0047 (EU)/ AIM-EXT0-0049 (US)
Color	Black	Black	Black	Black
Dimensions	130.2 x 38.7 x 27.8 mm (5.13 x 1.52 x 1.09 in)	130.2 x 38.7 x 32 mm (5.13 x 1.52 x 1.26 in)	130.2 x 70 x 29 mm (5.13 x 2.76 x 1.14 in)	130.2 x 70 x 45 mm (5.13 x 2.76 x 1.77 in)
Weight	0.042 kg (0.092 lb)	0.042 kg (0.092 lb)	0.078 kg (0.171 lb)	0.08 kg (0.176 lb)

Accessories

Hand Strap



Shoulder Strap



Active Stylus



Battery with Meter



Part Number	AIM-SRP0-0000	AIM-SRP0-0001	AIM-P704	AIM-BATO-0452
Color	Black	Black	Black	Black
Dimensions	240 x 20 mm (9.44 x 0.78 in)	380 x 135 x 20 mm (14.96 x 5.31 x 0.78 in)	140 x 9.7 mm (5.51 x 0.38 in)	120 x 87 x 7.5 mm (4.72 x 3.43 x 0.30 in)
Weight	0.022 kg (0.048 lb)	0.05 kg (0.11 lb)	0.02 kg (0.044 lb)	0.147 kg (0.324 lb)

AIM-68

10.1" Industrial Tablet with Intel® Atom™ Processor



Features

- Intel® Atom™ processor with Windows 10 IoT & Android 6.0 operating systems
- 10.1" WUXGA full HD display with scratch-resistant Corning® Gorilla® Glass 3 and multi-touch PCAP control
- WLAN, BT, NFC & 4G LTE technologies for seamless communication
- Optional docking stations include vehicle, VESA, and desk docking stations
- Optional extension modules such as 1D/2D barcode scanners and a LAN+COM module
- Optional accessories include a stylus, hand strap, and shoulder strap
- Additional modules and accessories can be customized according to application requirements



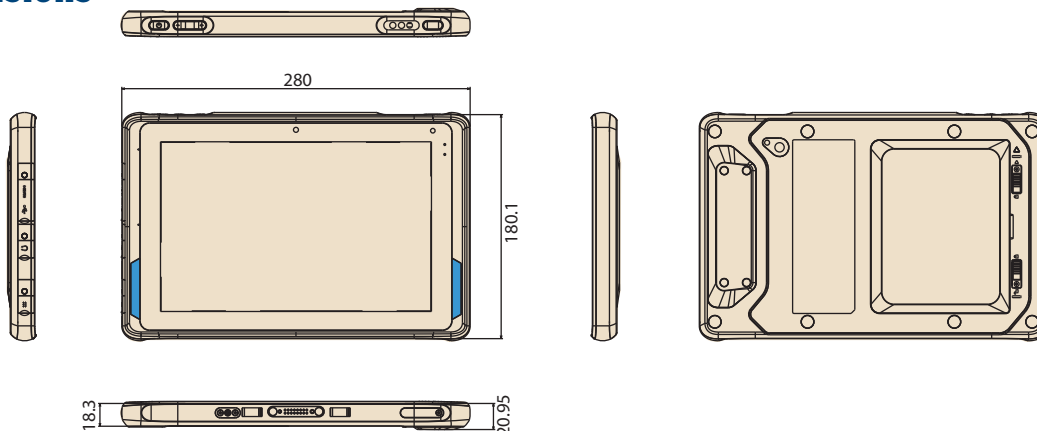
Specifications

System	Processor	Intel® Atom™ x7-Z8750 quad-core, 1.6 Ghz (2M cache, up to 2.56 Ghz)
	Memory	4 GB LPDDR3 (up to 8 GB)
	OS	Windows 10 IoT Enterprise, AIM Android 6.0
Storage	eMMC	64 GB default (up to 128 GB)
	Type	10.1" FHD LCD
Display	Resolution	WUXGA 1920 x 1200
	Brightness	380/800 cd/m ² (optional)
	Construction	Corning® Gorilla® Glass 3 with 10-point P-CAP touch control
Audio	Speaker	2 x internal speakers (2 W)
	Audio Jack	1 x audio combo jack (combines stereo audio output and mono microphone input)
	Camera	2.0-megapixel auto-focus camera
Sensors	Rear	5.0-megapixel auto-focus camera with LED flash
		Ambient Light Sensor, G-sensor / eCompass
Barcode Scanner	Barcode Scanner (Optional)	Integrated 1D/2D barcode scanner
I/O Interface	Standard I/O	1 x micro HDMI, 1 x USB 3.0, 1 x combo audio jack, 1 x 19 VDC-in jack, 1 x SIM card reader, 1 x micro SD card reader
	Extended I/O	1 x AIM module pogo pin connector at rear for supporting AIM extension modules
	Docking	16-pin pogo pin connector
	Buttons	1 x power button, 2 x volume keys (up/down), 1 x programmable function key
	LED Indicator	Full: green (100%); Charging: blue; Low: red (≤10%)
Wireless Communication	WLAN/Bluetooth	IEEE 802.11a/b/g/n/ac, Bluetooth® v4.1
	WWAN (Optional)	4G LTE module with AGPS
	NFC	13.56 MHz
GNSS	Satellite System (Optional)	Standalone GPS supports GLONASS, BeiDou
Power System	Power Adapter	Input: 100-240 V ~ 1.5 A 50/60 Hz, Output: 19 V, Max.65 W
	Battery	Hot-swappable smart battery with capacity LED indicators; Capacity: 26 WHr Operating time: Approx. 5.5hrs operation (dependent on user scenario*), Charging time: <3hrs
Mechanical	Dimensions (W x D x H)	280 x 18.3 x 180.1 mm (11 x 0.7 x 7.1 in)
	Weight	Approx. 980 g (2.2 lb)
Environment	Operating Temperature	-10 ~ 50 °C (14 ~ 122 °F)
	Storage Temperature	-20 ~ 70 °C (-4 ~ 158 °F)
	IP Rating	IP65
	Shock	Operating: 10 ~ 20 G, 11 ms; Non-operating: 50 G, 11 ms
	Vibration	Operating: (5 ~ 500 Hz) 0.5 ~ 1 G; Non-operating: (5 ~ 500 Hz) 0.04 PSD
	Humidity	Operating: 10 ~ 90% @ 40 °C non-condensing Storage: -10 ~ 95% non-condensing
	Altitude	Operating: sea level 0 to 3048 m (10k ft); Storage: sea level 0 to 12192 m (40k ft)
	Drop Tested	Up to 120 cm (4 ft) onto plywood over concrete
	Certifications/Safety/EMC	CE, CB, VCCI, UL60950 (ITE), UL2054, UN38.3, IEC62133, PSE for battery pack, FCC ID/PTCRB/R&TTE/SRRR/TELEC, FCC15 Class B, CE Mark (DOC Class B), REACH, RoHS

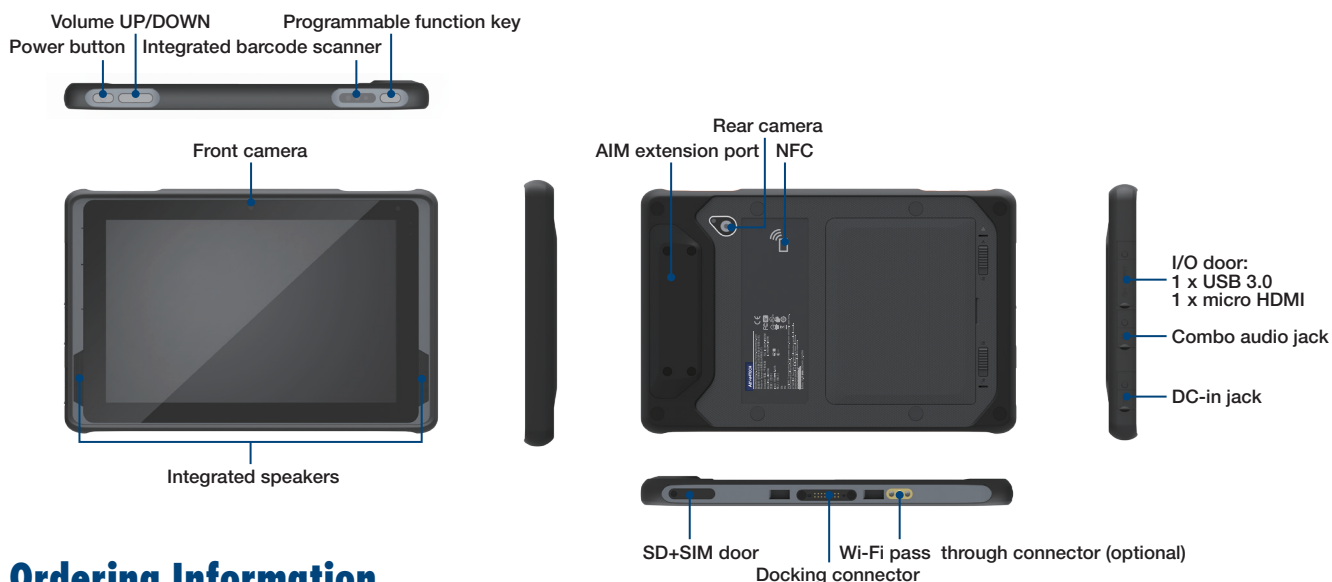
**Testing method: JEITA 2.0. The battery duration and recharge time may vary according to different factors such as screen brightness, applications, features, power management, battery condition, and other configurable settings.

Dimensions

Unit: mm



Front/Rear/Side I/O View



Ordering Information

Part Number	CPU	Memory	Storage	LCD	Barcode	NFC	Wi-Fi/BT	Wi-Fi Pass Through	LTE+GPS	F-Camera	R-Camera	OS
AIM-68CT-C2101000	Intel CHT Z8750	4 GB	64 GB	380 nits	X	V	V	X	X	2M	5M	Win 10 IoT Enterprise
AIM-68CT-C21B1000	Intel CHT Z8750	4 GB	64 GB	380 nits	V	V	V	X	X	2M	5M	Win 10 IoT Enterprise
AIM-68CT-C2103000	Intel CHT Z8750	4 GB	64 GB	380 nits	X	V	V	X	V (NA)	2M	5M	Win 10 IoT Enterprise
AIM-68CT-C2105000	Intel CHT Z8750	4 GB	64 GB	380 nits	X	V	V	X	V (EU)	2M	5M	Win 10 IoT Enterprise
AIM-68CT-C2104000	Intel CHT Z8750	4 GB	64 GB	800 nits	X	V	V	V	V (NA)	2M	5M	Win 10 IoT Enterprise
AIM-68CT-C2106000	Intel CHT Z8750	4 GB	64 GB	800 nits	X	V	V	V	V (EU)	2M	5M	Win 10 IoT Enterprise
AIM-68CT-C3101000	Intel CHT Z8750	4 GB	64 GB	380 nits	X	V	V	X	X	2M	5M	Android 6.0
AIM-68CT-C31B1000	Intel CHT Z8750	4 GB	64 GB	380 nits	V	V	V	X	X	2M	5M	Android 6.0
AIM-68CT-C3103000	Intel CHT Z8750	4 GB	64 GB	380 nits	X	V	V	X	V (NA)	2M	5M	Android 6.0
AIM-68CT-C3104000	Intel CHT Z8750	4 GB	64 GB	380 nits	X	V	V	X	V (EU)	2M	5M	Android 6.0
AIM-68CT-C3105000	Intel CHT Z8750	4 GB	64 GB	800 nits	X	V	V	V	V (NA)	2M	5M	Android 6.0
AIM-68CT-C3106000	Intel CHT Z8750	4 GB	64 GB	800 nits	X	V	V	V	V (EU)	2M	5M	Android 6.0

Optional Accessories

Part Number	Description
1700001947	Power cord UL 2P 7A 125 V 183 cm
1700002141	Power cord PSE 2P 7A 125 V 183 cm
1700008972	Power cord CCC 2P 2.5A 250 V 183 cm
1700001948-11	Power cord EU 2P 2.5A 250 V 183 cm

AIM-68 Packing List

Description
1 x AIM-68
1 x 10.8V/2400mAh lithium-ion battery
1 x AC/DC adaptor
1 x 2-pin power cord

For sales inquiries or further information, please contact us at Mobile@advantech.com.tw

AIM-VEH10

Vehicle Docking Stations for AIM-68 Industrial-Grade Tablet



Features

- Compatible with 9 ~ 32 V_{DC} in-vehicle power supply
- Easy and instant single-handed docking and undocking
- Anti-theft locking mechanism
- External GPS antenna
- Programmable function keys
- High-density connectors
- Compliant with SAE J1455 for vibration and shock tolerance
- Safe and reliable design for vehicle applications

CE FCC CCC

Specifications

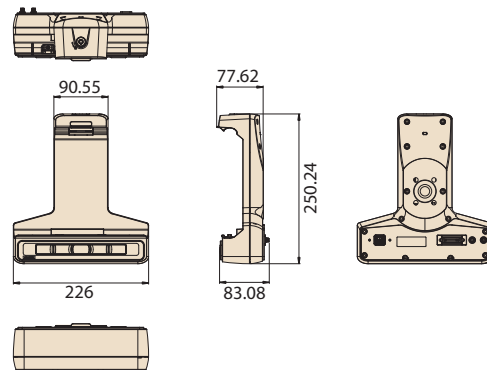
		Fully Configured Unit	Charging Dock Only
I/O	High-Density Connector	1 x CAN bus (supports raw CAN, J1939, OBD-II/ISO 15765) with configurable firmware	
		5 x Digital inputs 1 x Odometer (supports dry and wet contact) with configurable and switchable firmware (default wet contact)	1 x Power input 12 V 1 A
		2 x Digital outputs (supports speed pulse)	
		1 x RS-232 (4 wire)	
		1 x RS-232/485 (2 wire) (default RS-485, termination enabled)	
		1 x USB 2.0	
		1 x Power input 12 V 1 A	
		1 x RF pass through (optional)	
GPS	GPS Extended	1 x External GPS antenna	N/A
Function Keys		5 x Programmable function keys	N/A
Key Lock		Anti-theft key lock (key can be removed)	N/A
Power	Input Voltage	Supports 12/24 V vehicle power (9 ~ 32 VDC input range)	
Mechanical	Dimensions (W x D x H)	226 x 78.6 x 250.24 mm (8.9 x 3.1 x 9.9 in)	
	Weight	0.5 kg (1.10 lb) (TBD)	
Environment	Operating Temperature	-10 ~ 50 °C (14 ~ 122 °F); 0 ~ 40 °C (32 ~ 104 °F) for charging	
	Storage Temperature	-30 ~ 80 °C (-22 ~ 176 °F)	
	IP Rating	IP54	
	Vibration/Shock	SAE J1455	
	Safety	UL, CB, LVD, CCC	
	Vehicle Power Regulation	E-Mark, ISO7637-2	
	Certifications	CE, FCC, CCC	

Ordering Information

Part Number	Description
TBD	AIM vehicle docking station (full configuration)
TBD	AIM vehicle docking station (charging only)
1700026766-01	High-density cable
PWS-770-GPSAN00E	External GPS antenna
1700027666-01	Vehicle power cable (In-house engineer testing only)
1700027665-01	Vehicle power cable (vehicle battery)

Dimensions

Unit: mm



AIM-VSD

VESA Docking Stations for AIM-68



Features

- 9 ~ 32 V wide input voltage range
- VESA (75 x 75 mm)-compliant docking stations
- -10 ~ 50 °C (14 ~122 °F) operating temperature
- Reliable docking connector for office applications

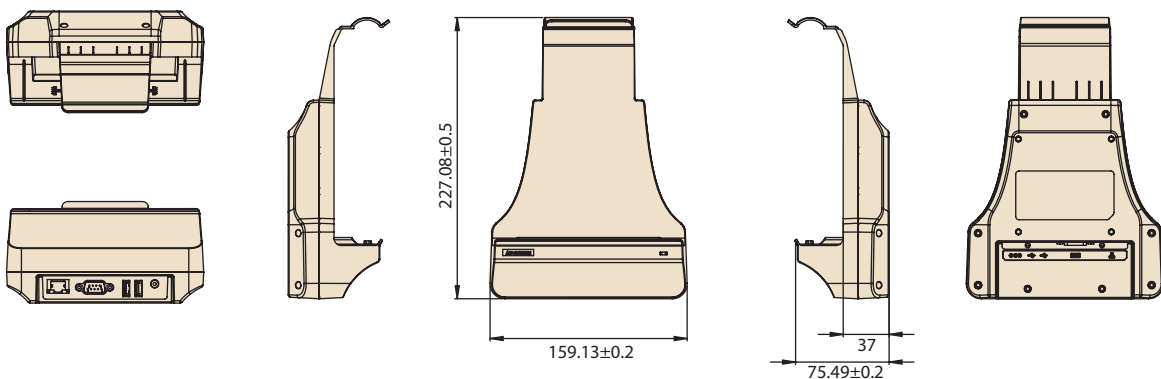
CE FCC

Specifications

		AIM 10 Advanced VESA Docking Station	AIM 10 VESA Docking Station with USB
I/O		2 x USB 3.0/2.0 1 x RS-232 COM 1 x Gigabit LAN 1 x Power jack	2 x USB 2.0 1 x Power jack
Stand		N/A	N/A
Power	Input Voltage	9 ~ 32 V	19 V
Mechanical	Dimensions (W x D x H)	159.13 x 75.49 x 227 mm (6.3 x 2.9 x 8.9 in)	159.13 x 75.49 x 227 mm (6.3 x 2.9 x 8.9 in)
	Weight	0.282 kg (0.62 lb)	0.28 kg (0.61 lb)
Environment	Operating Temperature	-10 ~ 50 °C (14 ~122 °F); 0 ~ 40 °C (32 ~104 °F) for charging	-10 ~ 50 °C (14 ~122 °F); 0 ~ 40 °C (32 ~104 °F) for charging
	Storage Temperature	-20 ~ 70 °C (-4 ~ 158 °F)	-20 ~ 70 °C (-4 ~ 158 °F)
	Safety	UL, CB, LVD, CCC	UL, CB, LVD, CCC
	Certifications	CE, FCC, CCC	CE, FCC, CCC

Dimensions

Unit: mm



Ordering Information

Part Number	Description
AIM-VSD0-0470	AIM 10 advanced VESA docking station
AIM-VSD0-0471	AIM 10 VESA docking station with USB

AIM-DDS

Desk Docking Stations for AIM-68



Features

- 10 ~ 50 °C (14 ~122 °F) operating temperature
- Reliable docking connector for office applications

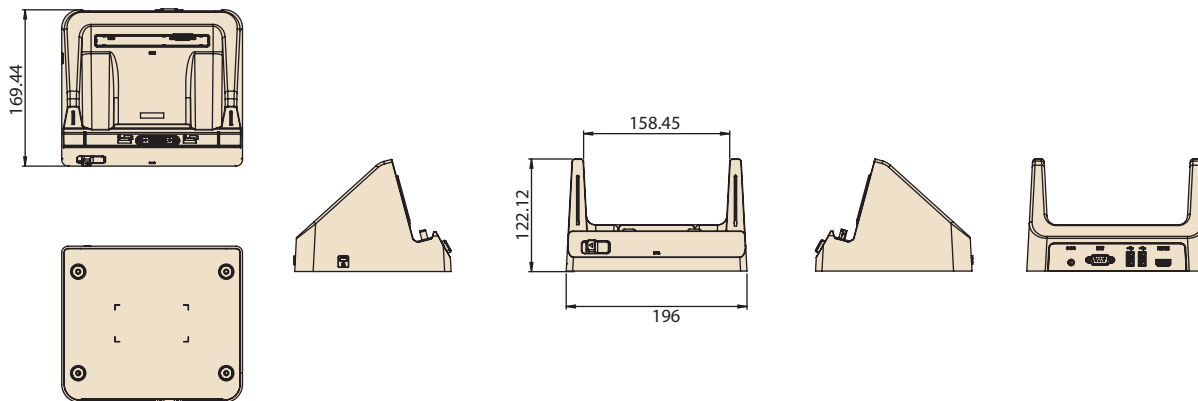
CE FCC CCC

Specifications

		AIM Advanced Desk Docking Station	AIM 10 Desk Docking Station
I/O		2 x USB 2.0 1 x RS-232 COM 1 x Power jack 1 x HDMI	2 x USB 2.0 1 x Power jack
Power	Input Voltage	19 V	19 V
Mechanical	Dimensions (W x D x H)	196 x 169.44 x 122.12 mm (7.72 x 6.67 x 4.81 in)	196 x 169.44 x 122.12 mm (7.72 x 6.67 x 4.81 in)
	Weight	0.745 kg (1.64 lb)	0.73 kg (1.60 lb)
Environment	Operating Temperature	-10 ~ 50 °C (14 ~122 °F); 0 ~ 40 °C (32 ~104 °F) for charging	-10 ~ 50 °C (14 ~122 °F); 0 ~ 40 °C (32 ~104 °F) for charging
	Storage Temperature	-20 ~ 70 °C (-4 ~ 158 °F)	-20 ~ 70 °C (-4 ~ 158 °F)
	Safety	CE, FCC, CCC	UL, CB, LVD, CCC
	Certifications	UL, CB, LVD, CCC	CE, FCC, CCC

Dimensions

Unit: mm

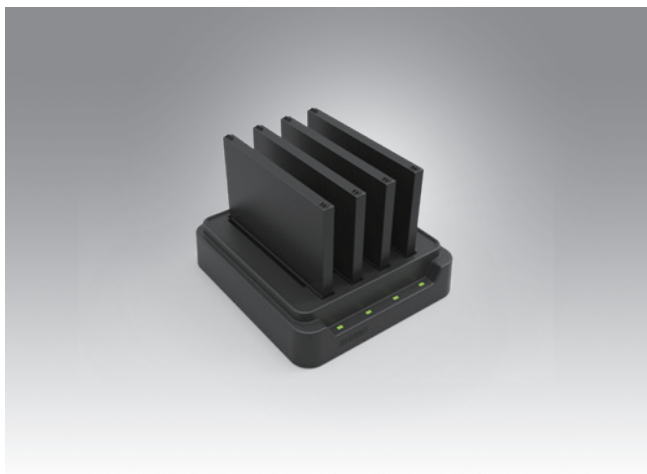


Ordering Information

Part Number	Description
AIM-OFD0-0480	AIM 10 advanced desk dock station
AIM-OFD0-0481	AIM 10 desk dock station

AIM-MCS

Multi-Bay Charging Station for AIM



Features

- Can charge up to 4 batteries simultaneously
- Overcurrent and overvoltage protection provided
- LED indicators for monitoring charging status

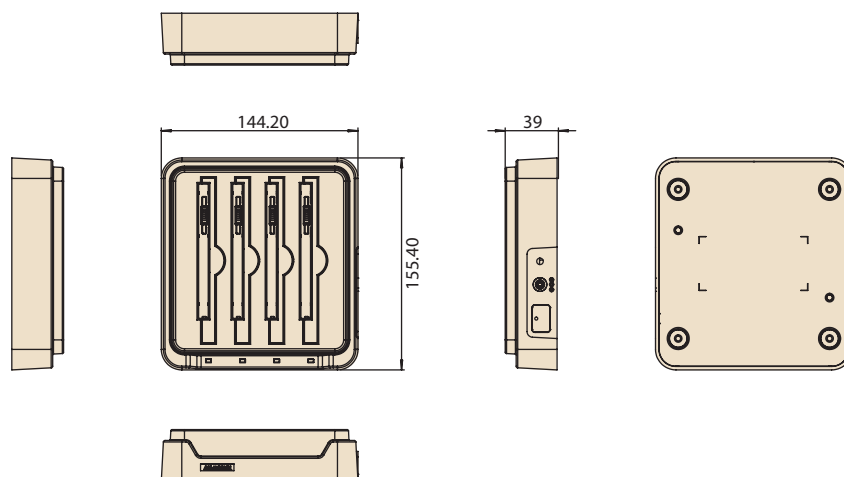


Specifications

		Multi-Battery Charging Station for AIM
Capacity	Number of Bays	4
	Charging Current	1 A
Power	Charging Voltage	12.6 V
	Input Voltage	19 V
	LED Indicators	Green: Full Amber: Charging Red: Error
Mechanical	Dimensions (W x D x H)	144.2 x 155.4 x 39 mm (5.7 x 6.1 x 1.5 in)
	Weight	0.48 kg (1.05 lb)
	Operating Temperature	0 ~ 40 °C (32 ~ 104 °F)
Environment	Storage Temperature	-10 ~ 50 °C (14 ~ 122 °F)
	Safety	UL, CB, LVD, CCC, RCM
	Certifications	CE, FCC, CCC, RCM, BSMI

Dimensions

Unit: mm



Ordering Information

Part Number	Description
AIM-MBC0-0051	Multi-battery charging station for AIM

AIM-68 Extensions and Accessories

Extension Modules

Barcode Scanner (20°)



Barcode Scanner (70°)



LAN + COM Module



UHF RFID Reader



Part Number	AIM-EXT0-0040	AIM-EXT0-0041	AIM-EXT0-0046	AIM-EXT0-0047 (EU)/ AIM-EXT0-0049 (US)
Color	Black	Black	Black	Black
Dimensions	130.2 x 38.7 x 27.8 mm (5.13 x 1.52 x 1.09 in)	130.2 x 38.7 x 32 mm (5.13 x 1.52 x 1.26 in)	130.2 x 70 x 29 mm (5.13 x 2.76 x 1.14 in)	130.2 x 70 x 45 mm (5.13 x 2.76 x 1.77 in)
Weight	0.042 kg (0.092 lb)	0.042 kg (0.092 lb)	0.078 kg (0.171 lb)	0.08 kg (0.176 lb)

Accessories

Hand Strap



Shoulder Strap



Active Stylus



Battery with Meter



Part Number	AIM-SRP0-0000	AIM-SRP0-0001	AIM-P704	AIM-BATO-0452
Color	Black	Black	Black	Black
Dimensions	240 x 20 mm (9.44 x 0.78 in)	380 x 135 x 20 mm (14.96 x 5.31 x 0.78 in)	140 x 9.7 mm (5.51 x 0.38 in)	120 x 87 x 7.5 mm (4.72 x 3.43 x 0.30 in)
Weight	0.022 kg (0.048 lb)	0.05 kg (0.11 lb)	0.02 kg (0.044 lb)	0.147 kg (0.324 lb)

AIM-68

10.1" Industrial Tablet with Intel® Atom™ Processor



Features

- Intel® Atom™ processor with Windows 10 IoT & Android 6.0 operating systems
- 10.1" WUXGA full HD display with scratch-resistant Corning® Gorilla® Glass 3 and multi-touch PCAP control
- WLAN, BT, NFC & 4G LTE technologies for seamless communication
- Optional docking stations include vehicle, VESA, and desk docking stations
- Optional extension modules such as 1D/2D barcode scanners and a LAN+COM module
- Optional accessories include a stylus, hand strap, and shoulder strap
- Additional modules and accessories can be customized according to application requirements



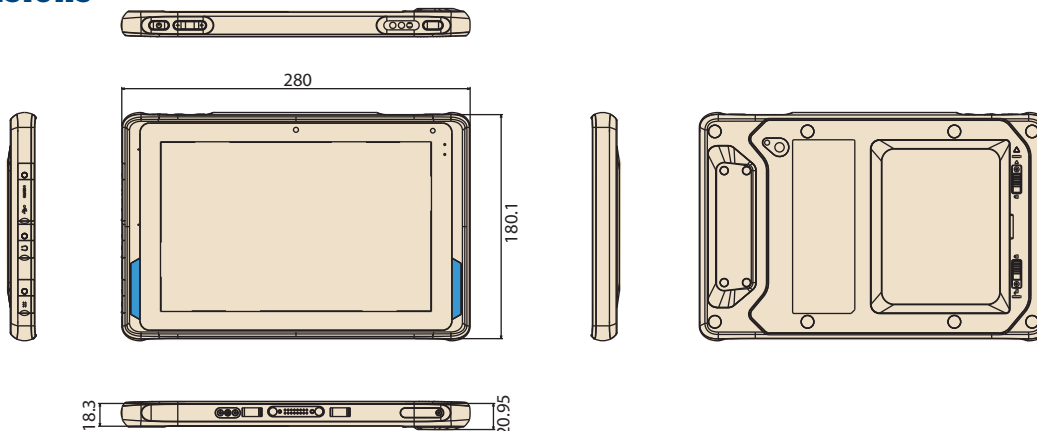
Specifications

System	Processor	Intel® Atom™ x7-Z8750 quad-core, 1.6 Ghz (2M cache, up to 2.56 Ghz)
	Memory	4 GB LPDDR3 (up to 8 GB)
	OS	Windows 10 IoT Enterprise, AIM Android 6.0
Storage	eMMC	64 GB default (up to 128 GB)
	Type	10.1" FHD LCD
Display	Resolution	WUXGA 1920 x 1200
	Brightness	380/800 cd/m ² (optional)
	Construction	Corning® Gorilla® Glass 3 with 10-point P-CAP touch control
Audio	Speaker	2 x internal speakers (2 W)
	Audio Jack	1 x audio combo jack (combines stereo audio output and mono microphone input)
	Camera	2.0-megapixel auto-focus camera
Sensors	Front	5.0-megapixel auto-focus camera with LED flash
	Rear	Ambient Light Sensor, G-sensor / eCompass
Barcode Scanner	Barcode Scanner (Optional)	Integrated 1D/2D barcode scanner
	Standard I/O	1 x micro HDMI, 1 x USB 3.0, 1 x combo audio jack, 1 x 19 VDC-in jack, 1 x SIM card reader, 1 x micro SD card reader
I/O Interface	Extended I/O	1 x AIM module pogo pin connector at rear for supporting AIM extension modules
	Docking	16-pin pogo pin connector
	Buttons	1 x power button, 2 x volume keys (up/down), 1 x programmable function key
	LED Indicator	Full: green (100%); Charging: blue; Low: red (≤10%)
Wireless Communication	WLAN/Bluetooth	IEEE 802.11a/b/g/n/ac, Bluetooth® v4.1
	WWAN (Optional)	4G LTE module with AGPS
	NFC	13.56 MHz
GNSS	Satellite System (Optional)	Standalone GPS supports GLONASS, BeiDou
Power System	Power Adapter	Input: 100-240 V ~ 1.5 A 50/60 Hz, Output: 19 V, Max.65 W
	Battery	Hot-swappable smart battery with capacity LED indicators; Capacity: 26 WHr Operating time: Approx. 5.5hrs operation (dependent on user scenario*), Charging time: <3hrs
Mechanical	Dimensions (W x D x H)	280 x 18.3 x 180.1 mm (11 x 0.7 x 7.1 in)
	Weight	Approx. 980 g (2.2 lb)
Environment	Operating Temperature	-10 ~ 50 °C (14 ~ 122 °F)
	Storage Temperature	-20 ~ 70 °C (-4 ~ 158 °F)
	IP Rating	IP65
	Shock	Operating: 10 ~ 20 G, 11 ms; Non-operating: 50 G, 11 ms
	Vibration	Operating: (5 ~ 500 Hz) 0.5 ~ 1 G; Non-operating: (5 ~ 500 Hz) 0.04 PSD
	Humidity	Operating: 10 ~ 90% @ 40 °C non-condensing Storage: -10 ~ 95% non-condensing
	Altitude	Operating: sea level 0 to 3048 m (10k ft); Storage: sea level 0 to 12192 m (40k ft)
	Drop Tested	Up to 120 cm (4 ft) onto plywood over concrete
	Certifications/Safety/EMC	CE, CB, VCCI, UL60950 (ITE), UL2054, UN38.3, IEC62133, PSE for battery pack, FCC ID/PTCRB/R&TTE/SRRC/TELEC, FCC15 Class B, CE Mark (DOC Class B), REACH, RoHS

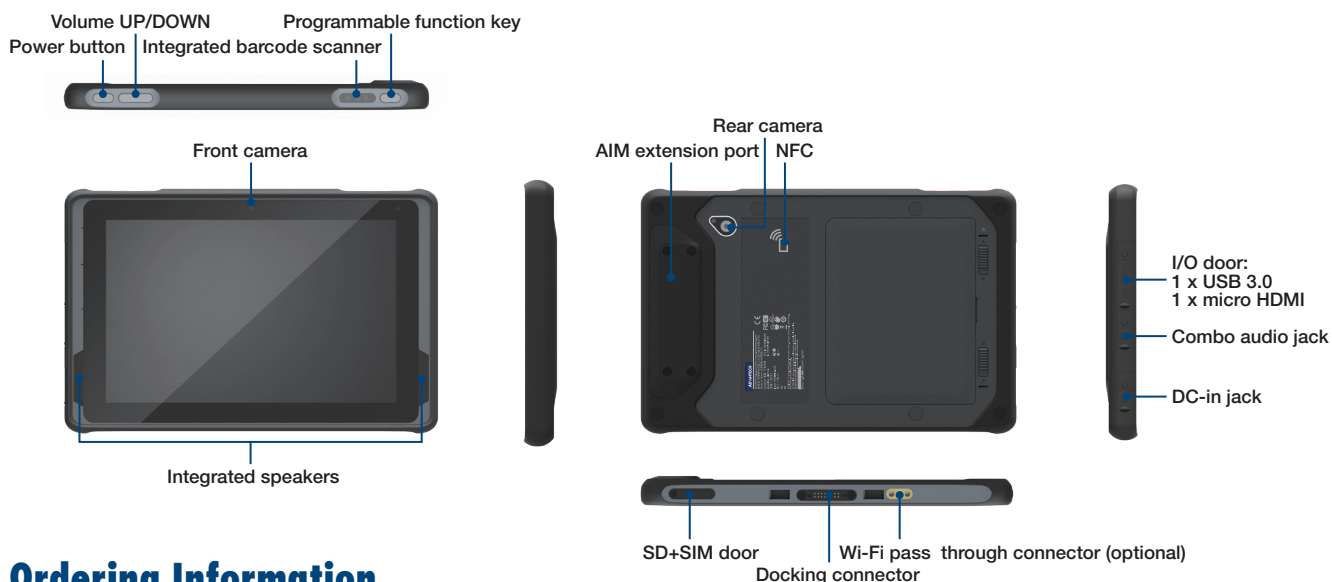
**Testing method: JEITA 2.0. The battery duration and recharge time may vary according to different factors such as screen brightness, applications, features, power management, battery condition, and other configurable settings.

Dimensions

Unit: mm



Front/Rear/Side I/O View



Ordering Information

Part Number	CPU	Memory	Storage	LCD	Barcode	NFC	Wi-Fi/BT	Wi-Fi Pass Through	LTE+GPS	F-Camera	R-Camera	OS
AIM-68CT-C2101000	Intel CHT Z8750	4 GB	64 GB	380 nits	X	V	V	X	X	2M	5M	Win 10 IoT Enterprise
AIM-68CT-C21B1000	Intel CHT Z8750	4 GB	64 GB	380 nits	V	V	V	X	X	2M	5M	Win 10 IoT Enterprise
AIM-68CT-C2103000	Intel CHT Z8750	4 GB	64 GB	380 nits	X	V	V	X	V (NA)	2M	5M	Win 10 IoT Enterprise
AIM-68CT-C2105000	Intel CHT Z8750	4 GB	64 GB	380 nits	X	V	V	X	V (EU)	2M	5M	Win 10 IoT Enterprise
AIM-68CT-C2104000	Intel CHT Z8750	4 GB	64 GB	800 nits	X	V	V	V	V (NA)	2M	5M	Win 10 IoT Enterprise
AIM-68CT-C2106000	Intel CHT Z8750	4 GB	64 GB	800 nits	X	V	V	V	V (EU)	2M	5M	Win 10 IoT Enterprise
AIM-68CT-C3101000	Intel CHT Z8750	4 GB	64 GB	380 nits	X	V	V	X	X	2M	5M	Android 6.0
AIM-68CT-C31B1000	Intel CHT Z8750	4 GB	64 GB	380 nits	V	V	V	X	X	2M	5M	Android 6.0
AIM-68CT-C3103000	Intel CHT Z8750	4 GB	64 GB	380 nits	X	V	V	X	V (NA)	2M	5M	Android 6.0
AIM-68CT-C3104000	Intel CHT Z8750	4 GB	64 GB	380 nits	X	V	V	X	V (EU)	2M	5M	Android 6.0
AIM-68CT-C3105000	Intel CHT Z8750	4 GB	64 GB	800 nits	X	V	V	V	V (NA)	2M	5M	Android 6.0
AIM-68CT-C3106000	Intel CHT Z8750	4 GB	64 GB	800 nits	X	V	V	V	V (EU)	2M	5M	Android 6.0

Optional Accessories

Part Number	Description
1700001947	Power cord UL 2P 7A 125 V 183 cm
1700002141	Power cord PSE 2P 7A 125 V 183 cm
1700008972	Power cord CCC 2P 2.5A 250 V 183 cm
1700001948-11	Power cord EU 2P 2.5A 250 V 183 cm

AIM-68 Packing List

Description
1 x AIM-68
1 x 10.8V/2400mAh lithium-ion battery
1 x AC/DC adaptor
1 x 2-pin power cord

For sales inquiries or further information, please contact us at Mobile@advantech.com.tw

AIM-VEH10

Vehicle Docking Stations for AIM-68 Industrial-Grade Tablet



Features

- Compatible with 9 ~ 32 V_{DC} in-vehicle power supply
- Easy and instant single-handed docking and undocking
- Anti-theft locking mechanism
- External GPS antenna
- Programmable function keys
- High-density connectors
- Compliant with SAE J1455 for vibration and shock tolerance
- Safe and reliable design for vehicle applications

CE FCC CCC

Specifications

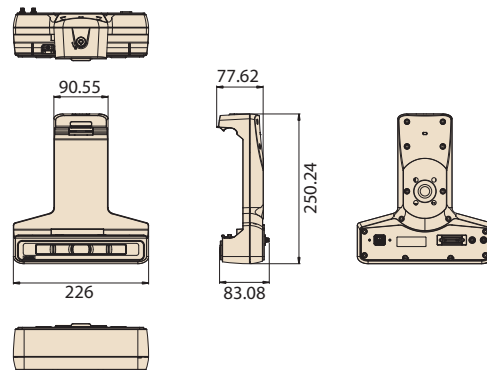
		Fully Configured Unit	Charging Dock Only
I/O	High-Density Connector	1 x CAN bus (supports raw CAN, J1939, OBD-II/ISO 15765) with configurable firmware	
		5 x Digital inputs 1 x Odometer (supports dry and wet contact) with configurable and switchable firmware (default wet contact)	
		2 x Digital outputs (supports speed pulse)	1 x Power input 12 V 1 A
		1 x RS-232 (4 wire)	
		1 x RS-232/485 (2 wire) (default RS-485, termination enabled)	
		1 x USB 2.0	
		1 x Power input 12 V 1 A	
		1 x RF pass through (optional)	
GPS	GPS Extended	1 x External GPS antenna	N/A
Function Keys		5 x Programmable function keys	N/A
Key Lock		Anti-theft key lock (key can be removed)	N/A
Power	Input Voltage	Supports 12/24 V vehicle power (9 ~ 32 VDC input range)	
Mechanical	Dimensions (W x D x H)	226 x 78.6 x 250.24 mm (8.9 x 3.1 x 9.9 in)	
	Weight	0.5 kg (1.10 lb) (TBD)	
Environment	Operating Temperature	-10 ~ 50 °C (14 ~ 122 °F); 0 ~ 40 °C (32 ~ 104 °F) for charging	
	Storage Temperature	-30 ~ 80 °C (-22 ~ 176 °F)	
	IP Rating	IP54	
	Vibration/Shock	SAE J1455	
	Safety	UL, CB, LVD, CCC	
	Vehicle Power Regulation	E-Mark, ISO7637-2	
	Certifications	CE, FCC, CCC	

Ordering Information

Part Number	Description
TBD	AIM vehicle docking station (full configuration)
TBD	AIM vehicle docking station (charging only)
1700026766-01	High-density cable
PWS-770-GPSAN00E	External GPS antenna
1700027666-01	Vehicle power cable (In-house engineer testing only)
1700027665-01	Vehicle power cable (vehicle battery)

Dimensions

Unit: mm



AIM-VSD

VESA Docking Stations for AIM-68



Features

- 9 ~ 32 V wide input voltage range
- VESA (75 x 75 mm)-compliant docking stations
- -10 ~ 50 °C (14 ~122 °F) operating temperature
- Reliable docking connector for office applications

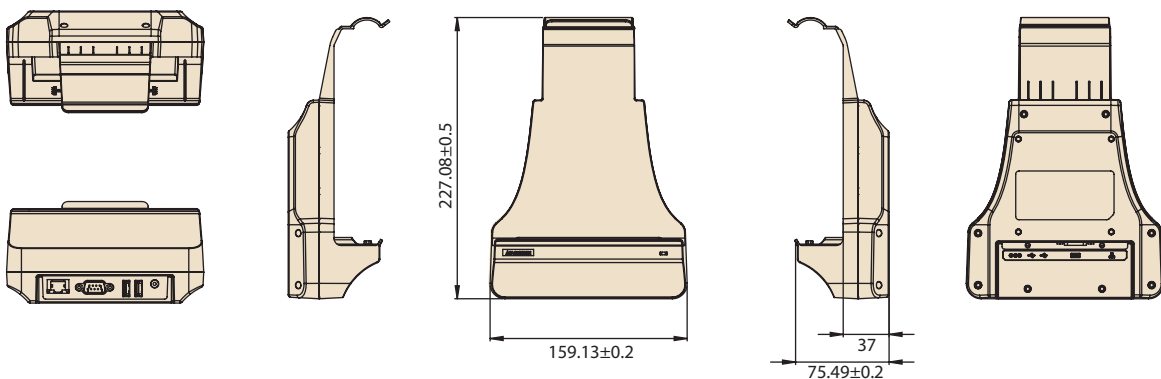
CE FCC

Specifications

		AIM 10 Advanced VESA Docking Station	AIM 10 VESA Docking Station with USB
I/O		2 x USB 3.0/2.0 1 x RS-232 COM 1 x Gigabit LAN 1 x Power jack	2 x USB 2.0 1 x Power jack
Stand		N/A	N/A
Power	Input Voltage	9 ~ 32 V	19 V
Mechanical	Dimensions (W x D x H)	159.13 x 75.49 x 227 mm (6.3 x 2.9 x 8.9 in)	159.13 x 75.49 x 227 mm (6.3 x 2.9 x 8.9 in)
	Weight	0.282 kg (0.62 lb)	0.28 kg (0.61 lb)
Environment	Operating Temperature	-10 ~ 50 °C (14 ~122 °F); 0 ~ 40 °C (32 ~104 °F) for charging	-10 ~ 50 °C (14 ~122 °F); 0 ~ 40 °C (32 ~104 °F) for charging
	Storage Temperature	-20 ~ 70 °C (-4 ~ 158 °F)	-20 ~ 70 °C (-4 ~ 158 °F)
	Safety	UL, CB, LVD, CCC	UL, CB, LVD, CCC
	Certifications	CE, FCC, CCC	CE, FCC, CCC

Dimensions

Unit: mm



Ordering Information

Part Number	Description
AIM-VSD0-0470	AIM 10 advanced VESA docking station
AIM-VSD0-0471	AIM 10 VESA docking station with USB

AIM-DDS

Desk Docking Stations for AIM-68



Features

- -10 ~ 50 °C (14 ~122 °F) operating temperature
- Reliable docking connector for office applications

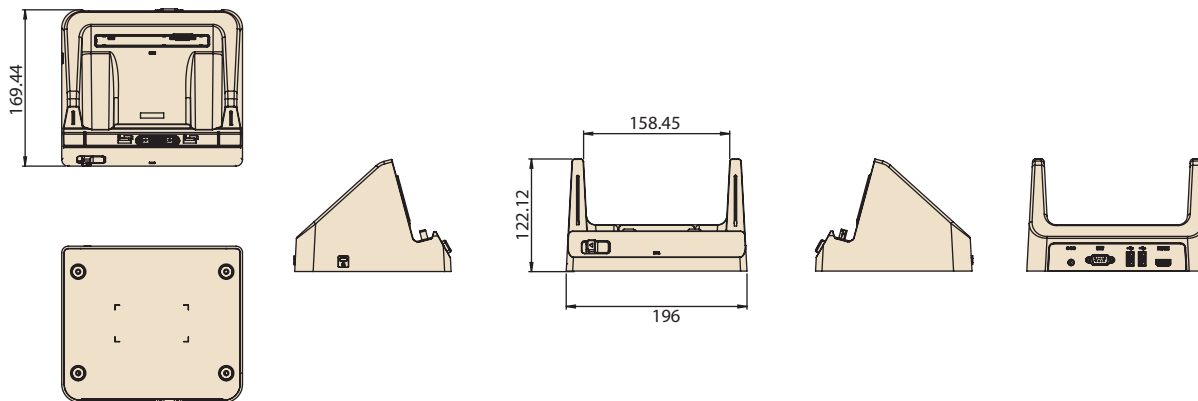
CE FCC CCC

Specifications

		AIM Advanced Desk Docking Station	AIM 10 Desk Docking Station
I/O		2 x USB 2.0 1 x RS-232 COM 1 x Power jack 1 x HDMI	2 x USB 2.0 1 x Power jack
Power	Input Voltage	19 V	19 V
Mechanical	Dimensions (W x D x H)	196 x 169.44 x 122.12 mm (7.72 x 6.67 x 4.81 in)	196 x 169.44 x 122.12 mm (7.72 x 6.67 x 4.81 in)
	Weight	0.745 kg (1.64 lb)	0.73 kg (1.60 lb)
Environment	Operating Temperature	-10 ~ 50 °C (14 ~122 °F); 0 ~ 40 °C (32 ~104 °F) for charging	-10 ~ 50 °C (14 ~122 °F); 0 ~ 40 °C (32 ~104 °F) for charging
	Storage Temperature	-20 ~ 70 °C (-4 ~ 158 °F)	-20 ~ 70 °C (-4 ~ 158 °F)
	Safety	CE, FCC, CCC	UL, CB, LVD, CCC
	Certifications	UL, CB, LVD, CCC	CE, FCC, CCC

Dimensions

Unit: mm

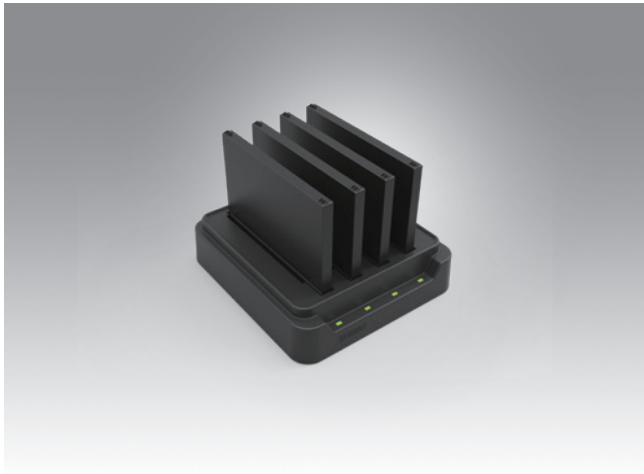


Ordering Information

Part Number	Description
AIM-OFD0-0480	AIM 10 advanced desk dock station
AIM-OFD0-0481	AIM 10 desk dock station

AIM-MCS

Multi-Bay Charging Station for AIM



Features

- Can charge up to 4 batteries simultaneously
- Overcurrent and overvoltage protection provided
- LED indicators for monitoring charging status

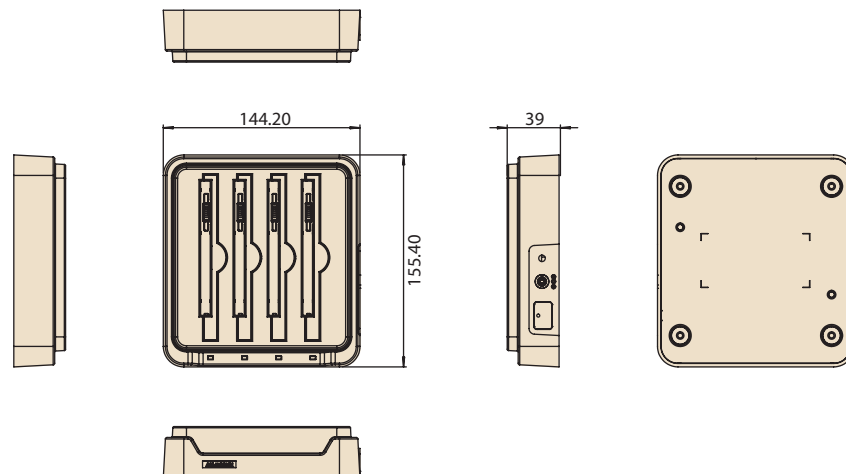


Specifications

		Multi-Battery Charging Station for AIM
Capacity	Number of Bays	4
	Charging Current	1 A
Power	Charging Voltage	12.6 V
	Input Voltage	19 V
	LED Indicators	Green: Full Amber: Charging Red: Error
Mechanical	Dimensions (W x D x H)	144.2 x 155.4 x 39 mm (5.7 x 6.1 x 1.5 in)
	Weight	0.48 kg (1.05 lb)
	Operating Temperature	0 ~ 40 °C (32 ~ 104 °F)
Environment	Storage Temperature	-10 ~ 50 °C (14 ~ 122 °F)
	Safety	UL, CB, LVD, CCC, RCM
	Certifications	CE, FCC, CCC, RCM, BSMI

Dimensions

Unit: mm



Ordering Information

Part Number	Description
AIM-MBC0-0051	Multi-battery charging station for AIM

AIM-68 Extensions and Accessories

Extension Modules

Barcode Scanner (20°)



Barcode Scanner (70°)



LAN + COM Module



UHF RFID Reader



Part Number	AIM-EXT0-0040	AIM-EXT0-0041	AIM-EXT0-0046	AIM-EXT0-0047 (EU)/ AIM-EXT0-0049 (US)
Color	Black	Black	Black	Black
Dimensions	130.2 x 38.7 x 27.8 mm (5.13 x 1.52 x 1.09 in)	130.2 x 38.7 x 32 mm (5.13 x 1.52 x 1.26 in)	130.2 x 70 x 29 mm (5.13 x 2.76 x 1.14 in)	130.2 x 70 x 45 mm (5.13 x 2.76 x 1.77 in)
Weight	0.042 kg (0.092 lb)	0.042 kg (0.092 lb)	0.078 kg (0.171 lb)	0.08 kg (0.176 lb)

Accessories

Hand Strap



Shoulder Strap



Active Stylus



Battery with Meter



Part Number	AIM-SRP0-0000	AIM-SRP0-0001	AIM-P704	AIM-BATO-0452
Color	Black	Black	Black	Black
Dimensions	240 x 20 mm (9.44 x 0.78 in)	380 x 135 x 20 mm (14.96 x 5.31 x 0.78 in)	140 x 9.7 mm (5.51 x 0.38 in)	120 x 87 x 7.5 mm (4.72 x 3.43 x 0.30 in)
Weight	0.022 kg (0.048 lb)	0.05 kg (0.11 lb)	0.02 kg (0.044 lb)	0.147 kg (0.324 lb)

AIM-68

10.1" Industrial Tablet with Intel® Atom™ Processor



Features

- Intel® Atom™ processor with Windows 10 IoT & Android 6.0 operating systems
- 10.1" WUXGA full HD display with scratch-resistant Corning® Gorilla® Glass 3 and multi-touch PCAP control
- WLAN, BT, NFC & 4G LTE technologies for seamless communication
- Optional docking stations include vehicle, VESA, and desk docking stations
- Optional extension modules such as 1D/2D barcode scanners and a LAN+COM module
- Optional accessories include a stylus, hand strap, and shoulder strap
- Additional modules and accessories can be customized according to application requirements



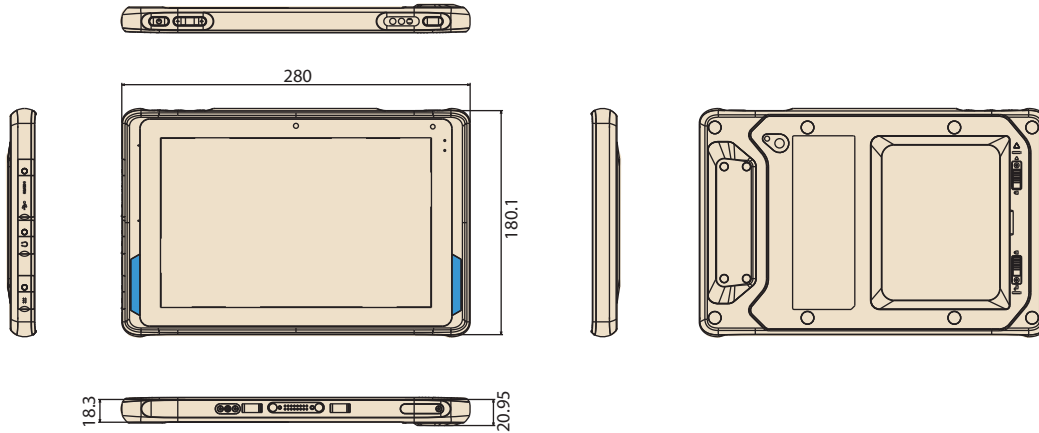
Specifications

System	Processor	Intel® Atom™ x7-Z8750 quad-core, 1.6 Ghz (2M cache, up to 2.56 Ghz)
	Memory	4 GB LPDDR3 (up to 8 GB)
	OS	Windows 10 IoT Enterprise, AIM Android 6.0
Storage	eMMC	64 GB default (up to 128 GB)
	Type	10.1" FHD LCD
Display	Resolution	WUXGA 1920 x 1200
	Brightness	380/800 cd/m ² (optional)
	Construction	Corning® Gorilla® Glass 3 with 10-point P-CAP touch control
Audio	Speaker	2 x internal speakers (2 W)
	Audio Jack	1 x audio combo jack (combines stereo audio output and mono microphone input)
	Camera	2.0-megapixel auto-focus camera
Sensors	Rear	5.0-megapixel auto-focus camera with LED flash
		Ambient Light Sensor, G-sensor / eCompass
Barcode Scanner	Barcode Scanner (Optional)	Integrated 1D/2D barcode scanner
I/O Interface	Standard I/O	1 x micro HDMI, 1 x USB 3.0, 1 x combo audio jack, 1 x 19 VDC-in jack, 1 x SIM card reader, 1 x micro SD card reader
	Extended I/O	1 x AIM module pogo pin connector at rear for supporting AIM extension modules
	Docking	16-pin pogo pin connector
	Buttons	1 x power button, 2 x volume keys (up/down), 1 x programmable function key
	LED Indicator	Full: green (100%); Charging: blue; Low: red (≤10%)
Wireless Communication	WLAN/Bluetooth	IEEE 802.11a/b/g/n/ac, Bluetooth® v4.1
	WWAN (Optional)	4G LTE module with AGPS
	NFC	13.56 MHz
GNSS	Satellite System (Optional)	Standalone GPS supports GLONASS, BeiDou
Power System	Power Adapter	Input: 100-240 V ~ 1.5 A 50/60 Hz, Output: 19 V, Max.65 W
	Battery	Hot-swappable smart battery with capacity LED indicators; Capacity: 26 WHr Operating time: Approx. 5.5hrs operation (dependent on user scenario*), Charging time: <3hrs
Mechanical	Dimensions (W x D x H)	280 x 18.3 x 180.1 mm (11 x 0.7 x 7.1 in)
	Weight	Approx. 980 g (2.2 lb)
Environment	Operating Temperature	-10 ~ 50 °C (14 ~ 122 °F)
	Storage Temperature	-20 ~ 70 °C (-4 ~ 158 °F)
	IP Rating	IP65
	Shock	Operating: 10 ~ 20 G, 11 ms; Non-operating: 50 G, 11 ms
	Vibration	Operating: (5 ~ 500 Hz) 0.5 ~ 1 G; Non-operating: (5 ~ 500 Hz) 0.04 PSD
	Humidity	Operating: 10 ~ 90% @ 40 °C non-condensing Storage: -10 ~ 95% non-condensing
	Altitude	Operating: sea level 0 to 3048 m (10k ft); Storage: sea level 0 to 12192 m (40k ft)
	Drop Tested	Up to 120 cm (4 ft) onto plywood over concrete
	Certifications/Safety/EMC	CE, CB, VCCI, UL60950 (ITE), UL2054, UN38.3, IEC62133, PSE for battery pack, FCC ID/PTCRB/R&TTE/SRRC/TELEC, FCC15 Class B, CE Mark (DOC Class B), REACH, RoHS

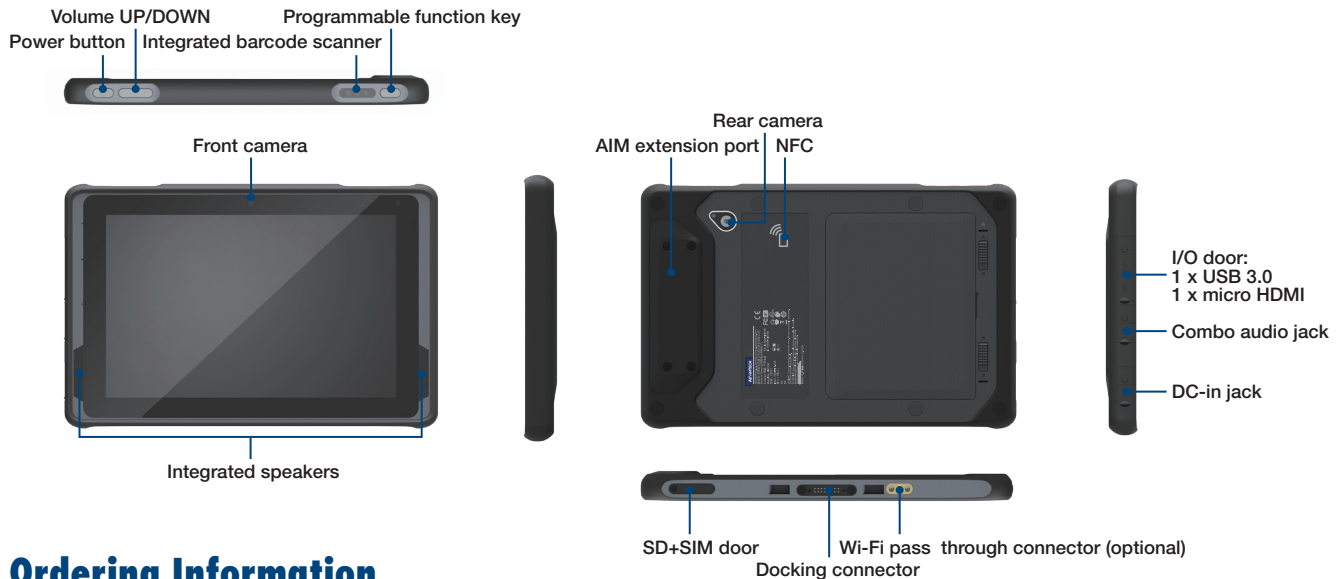
**Testing method: JEITA 2.0. The battery duration and recharge time may vary according to different factors such as screen brightness, applications, features, power management, battery condition, and other configurable settings.

Dimensions

Unit: mm



Front/Rear/Side I/O View



Ordering Information

Part Number	CPU	Memory	Storage	LCD	Barcode	NFC	Wi-Fi/BT	Wi-Fi Pass Through	LTE+GPS	F-Camera	R-Camera	OS
AIM-68CT-C2101000	Intel CHT Z8750	4 GB	64 GB	380 nits	X	V	V	X	X	2M	5M	Win 10 IoT Enterprise
AIM-68CT-C21B1000	Intel CHT Z8750	4 GB	64 GB	380 nits	V	V	V	X	X	2M	5M	Win 10 IoT Enterprise
AIM-68CT-C2103000	Intel CHT Z8750	4 GB	64 GB	380 nits	X	V	V	X	V (NA)	2M	5M	Win 10 IoT Enterprise
AIM-68CT-C2105000	Intel CHT Z8750	4 GB	64 GB	380 nits	X	V	V	X	V (EU)	2M	5M	Win 10 IoT Enterprise
AIM-68CT-C2104000	Intel CHT Z8750	4 GB	64 GB	800 nits	X	V	V	V	V (NA)	2M	5M	Win 10 IoT Enterprise
AIM-68CT-C2106000	Intel CHT Z8750	4 GB	64 GB	800 nits	X	V	V	V	V (EU)	2M	5M	Win 10 IoT Enterprise
AIM-68CT-C3101000	Intel CHT Z8750	4 GB	64 GB	380 nits	X	V	V	X	X	2M	5M	Android 6.0
AIM-68CT-C31B1000	Intel CHT Z8750	4 GB	64 GB	380 nits	V	V	V	X	X	2M	5M	Android 6.0
AIM-68CT-C3103000	Intel CHT Z8750	4 GB	64 GB	380 nits	X	V	V	X	V (NA)	2M	5M	Android 6.0
AIM-68CT-C3104000	Intel CHT Z8750	4 GB	64 GB	380 nits	X	V	V	X	V (EU)	2M	5M	Android 6.0
AIM-68CT-C3105000	Intel CHT Z8750	4 GB	64 GB	800 nits	X	V	V	V	V (NA)	2M	5M	Android 6.0
AIM-68CT-C3106000	Intel CHT Z8750	4 GB	64 GB	800 nits	X	V	V	V	V (EU)	2M	5M	Android 6.0

Optional Accessories

Part Number	Description
1700001947	Power cord UL 2P 7A 125 V 183 cm
1700002141	Power cord PSE 2P 7A 125 V 183 cm
1700008972	Power cord CCC 2P 2.5A 250 V 183 cm
1700001948-11	Power cord EU 2P 2.5A 250 V 183 cm

AIM-68 Packing List

Description
1 x AIM-68
1 x 10.8V/2400mAh lithium-ion battery
1 x AC/DC adaptor
1 x 2-pin power cord

For sales inquiries or further information, please contact us at Mobile@advantech.com.tw

AIM-VEH10

Vehicle Docking Stations for AIM-68 Industrial-Grade Tablet



Features

- Compatible with 9 ~ 32 V_{DC} in-vehicle power supply
- Easy and instant single-handed docking and undocking
- Anti-theft locking mechanism
- External GPS antenna
- Programmable function keys
- High-density connectors
- Compliant with SAE J1455 for vibration and shock tolerance
- Safe and reliable design for vehicle applications

CE FCC CCC

Specifications

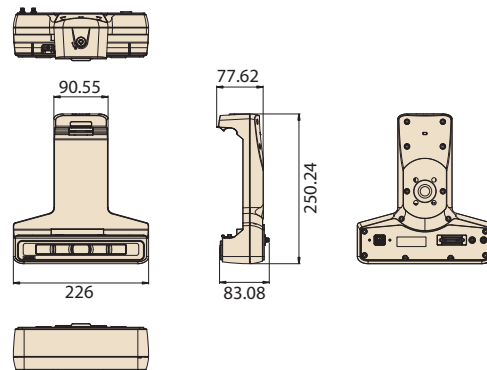
		Fully Configured Unit	Charging Dock Only
I/O	High-Density Connector	1 x CAN bus (supports raw CAN, J1939, OBD-II/ISO 15765) with configurable firmware	
		5 x Digital inputs	
		1 x Odometer (supports dry and wet contact) with configurable and switchable firmware (default wet contact)	
		2 x Digital outputs (supports speed pulse)	1 x Power input 12 V 1 A
		1 x RS-232 (4 wire)	
		1 x RS-232/485 (2 wire) (default RS-485, termination enabled)	
		1 x USB 2.0	
		1 x Power input 12 V 1 A	
		1 x RF pass through (optional)	
GPS	GPS Extended	1 x External GPS antenna	N/A
Function Keys		5 x Programmable function keys	N/A
Key Lock		Anti-theft key lock (key can be removed)	N/A
Power	Input Voltage	Supports 12/24 V vehicle power (9 ~ 32 VDC input range)	
Mechanical	Dimensions (W x D x H)	226 x 78.6 x 250.24 mm (8.9 x 3.1 x 9.9 in)	
	Weight	0.5 kg (1.10 lb) (TBD)	
Environment	Operating Temperature	-10 ~ 50 °C (14 ~ 122 °F); 0 ~ 40 °C (32 ~ 104 °F) for charging	
	Storage Temperature	-30 ~ 80 °C (-22 ~ 176 °F)	
	IP Rating	IP54	
	Vibration/Shock	SAE J1455	
	Safety	UL, CB, LVD, CCC	
	Vehicle Power Regulation	E-Mark, ISO7637-2	
	Certifications	CE, FCC, CCC	

Ordering Information

Part Number	Description
TBD	AIM vehicle docking station (full configuration)
TBD	AIM vehicle docking station (charging only)
1700026766-01	High-density cable
PWS-770-GPSAN00E	External GPS antenna
1700027666-01	Vehicle power cable (In-house engineer testing only)
1700027665-01	Vehicle power cable (vehicle battery)

Dimensions

Unit: mm



AIM-VSD

VESA Docking Stations for AIM-68



Features

- 9 ~ 32 V wide input voltage range
- VESA (75 x 75 mm)-compliant docking stations
- -10 ~ 50 °C (14 ~122 °F) operating temperature
- Reliable docking connector for office applications

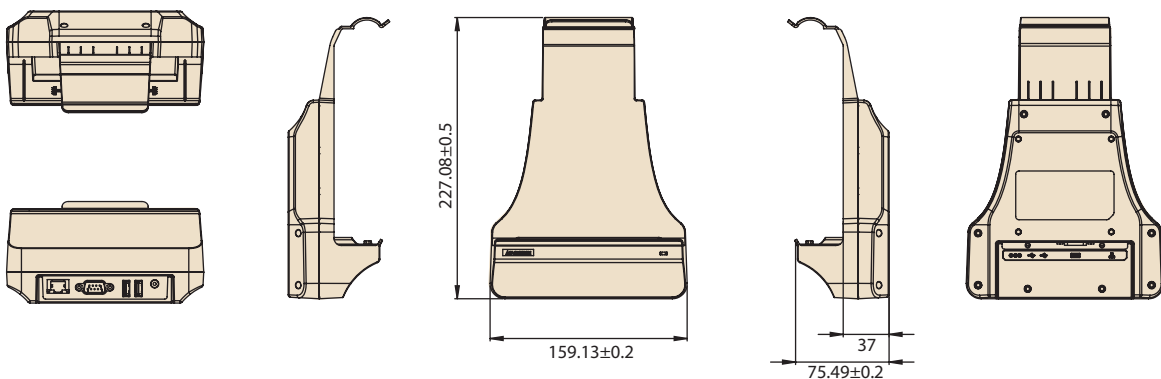
CE FCC

Specifications

		AIM 10 Advanced VESA Docking Station	AIM 10 VESA Docking Station with USB
I/O		2 x USB 3.0/2.0 1 x RS-232 COM 1 x Gigabit LAN 1 x Power jack	2 x USB 2.0 1 x Power jack
Stand		N/A	N/A
Power	Input Voltage	9 ~ 32 V	19 V
Mechanical	Dimensions (W x D x H)	159.13 x 75.49 x 227 mm (6.3 x 2.9 x 8.9 in)	159.13 x 75.49 x 227 mm (6.3 x 2.9 x 8.9 in)
	Weight	0.282 kg (0.62 lb)	0.28 kg (0.61 lb)
Environment	Operating Temperature	-10 ~ 50 °C (14 ~122 °F); 0 ~ 40 °C (32 ~104 °F) for charging	-10 ~ 50 °C (14 ~122 °F); 0 ~ 40 °C (32 ~104 °F) for charging
	Storage Temperature	-20 ~ 70 °C (-4 ~ 158 °F)	-20 ~ 70 °C (-4 ~ 158 °F)
	Safety	UL, CB, LVD, CCC	UL, CB, LVD, CCC
	Certifications	CE, FCC, CCC	CE, FCC, CCC

Dimensions

Unit: mm



Ordering Information

Part Number	Description
AIM-VSD0-0470	AIM 10 advanced VESA docking station
AIM-VSD0-0471	AIM 10 VESA docking station with USB

AIM-DDS

Desk Docking Stations for AIM-68



Features

- -10 ~ 50 °C (14 ~122 °F) operating temperature
- Reliable docking connector for office applications

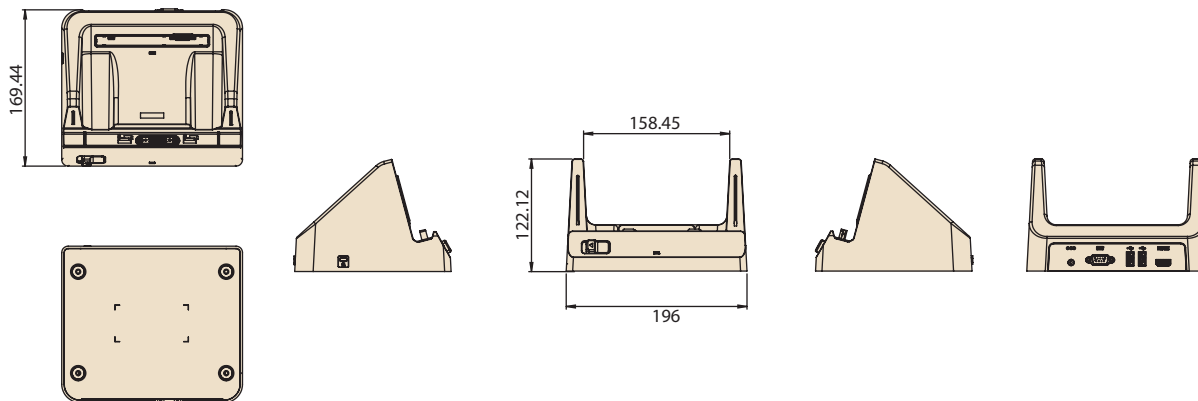
CE FCC CCC

Specifications

		AIM Advanced Desk Docking Station	AIM 10 Desk Docking Station
I/O		2 x USB 2.0 1 x RS-232 COM 1 x Power jack 1 x HDMI	2 x USB 2.0 1 x Power jack
Power	Input Voltage	19 V	19 V
Mechanical	Dimensions (W x D x H)	196 x 169.44 x 122.12 mm (7.72 x 6.67 x 4.81 in)	196 x 169.44 x 122.12 mm (7.72 x 6.67 x 4.81 in)
	Weight	0.745 kg (1.64 lb)	0.73 kg (1.60 lb)
Environment	Operating Temperature	-10 ~ 50 °C (14 ~122 °F); 0 ~ 40 °C (32 ~104 °F) for charging	-10 ~ 50 °C (14 ~122 °F); 0 ~ 40 °C (32 ~104 °F) for charging
	Storage Temperature	-20 ~ 70 °C (-4 ~ 158 °F)	-20 ~ 70 °C (-4 ~ 158 °F)
	Safety	CE, FCC, CCC	UL, CB, LVD, CCC
	Certifications	UL, CB, LVD, CCC	CE, FCC, CCC

Dimensions

Unit: mm

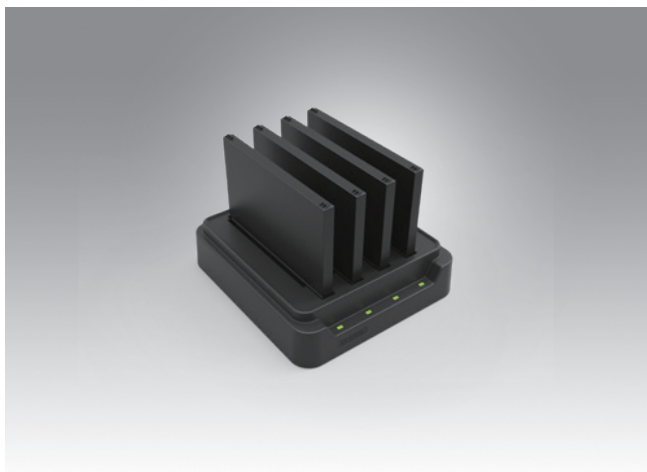


Ordering Information

Part Number	Description
AIM-OFD0-0480	AIM 10 advanced desk dock station
AIM-OFD0-0481	AIM 10 desk dock station

AIM-MCS

Multi-Bay Charging Station for AIM



Features

- Can charge up to 4 batteries simultaneously
- Overcurrent and overvoltage protection provided
- LED indicators for monitoring charging status

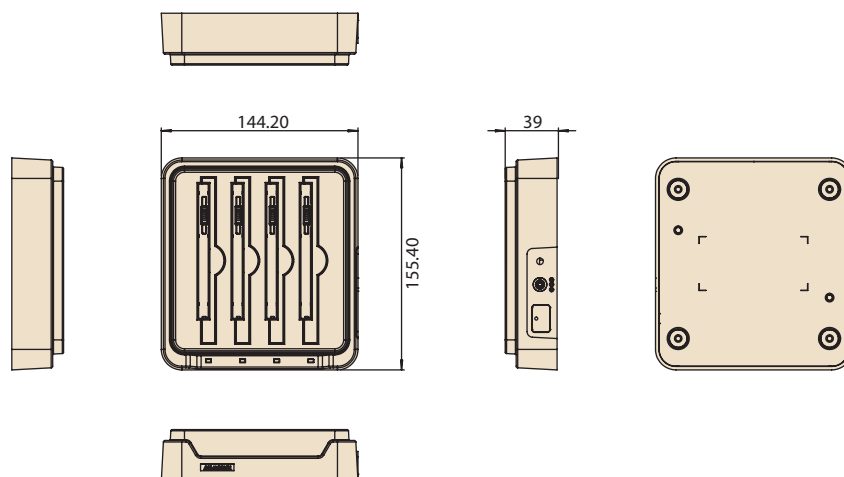


Specifications

		Multi-Battery Charging Station for AIM
Capacity	Number of Bays	4
	Charging Current	1 A
Power	Charging Voltage	12.6 V
	Input Voltage	19 V
	LED Indicators	Green: Full Amber: Charging Red: Error
Mechanical	Dimensions (W x D x H)	144.2 x 155.4 x 39 mm (5.7 x 6.1 x 1.5 in)
	Weight	0.48 kg (1.05 lb)
	Operating Temperature	0 ~ 40 °C (32 ~ 104 °F)
Environment	Storage Temperature	-10 ~ 50 °C (14 ~ 122 °F)
	Safety	UL, CB, LVD, CCC, RCM
	Certifications	CE, FCC, CCC, RCM, BSMI

Dimensions

Unit: mm



Ordering Information

Part Number	Description
AIM-MBC0-0051	Multi-battery charging station for AIM

AIM-68 Extensions and Accessories

Extension Modules

Barcode Scanner (20°)



Barcode Scanner (70°)



LAN + COM Module



UHF RFID Reader



Part Number	AIM-EXT0-0040	AIM-EXT0-0041	AIM-EXT0-0046	AIM-EXT0-0047 (EU)/ AIM-EXT0-0049 (US)
Color	Black	Black	Black	Black
Dimensions	130.2 x 38.7 x 27.8 mm (5.13 x 1.52 x 1.09 in)	130.2 x 38.7 x 32 mm (5.13 x 1.52 x 1.26 in)	130.2 x 70 x 29 mm (5.13 x 2.76 x 1.14 in)	130.2 x 70 x 45 mm (5.13 x 2.76 x 1.77 in)
Weight	0.042 kg (0.092 lb)	0.042 kg (0.092 lb)	0.078 kg (0.171 lb)	0.08 kg (0.176 lb)

Accessories

Hand Strap



Shoulder Strap



Active Stylus



Battery with Meter



Part Number	AIM-SRP0-0000	AIM-SRP0-0001	AIM-P704	AIM-BATO-0452
Color	Black	Black	Black	Black
Dimensions	240 x 20 mm (9.44 x 0.78 in)	380 x 135 x 20 mm (14.96 x 5.31 x 0.78 in)	140 x 9.7 mm (5.51 x 0.38 in)	120 x 87 x 7.5 mm (4.72 x 3.43 x 0.30 in)
Weight	0.022 kg (0.048 lb)	0.05 kg (0.11 lb)	0.02 kg (0.044 lb)	0.147 kg (0.324 lb)

AIM-68

10.1" Industrial Tablet with Intel® Atom™ Processor



Features

- Intel® Atom™ processor with Windows 10 IoT & Android 6.0 operating systems
- 10.1" WUXGA full HD display with scratch-resistant Corning® Gorilla® Glass 3 and multi-touch PCAP control
- WLAN, BT, NFC & 4G LTE technologies for seamless communication
- Optional docking stations include vehicle, VESA, and desk docking stations
- Optional extension modules such as 1D/2D barcode scanners and a LAN+COM module
- Optional accessories include a stylus, hand strap, and shoulder strap
- Additional modules and accessories can be customized according to application requirements



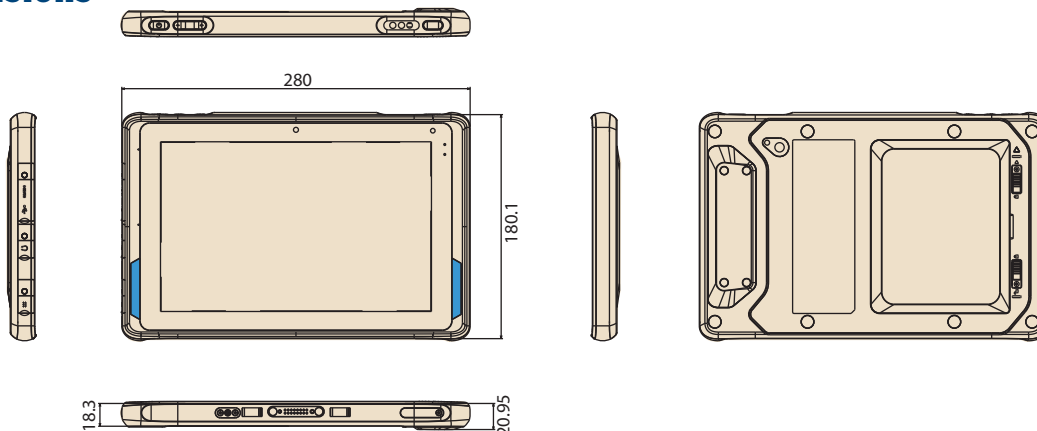
Specifications

System	Processor	Intel® Atom™ x7-Z8750 quad-core, 1.6 Ghz (2M cache, up to 2.56 Ghz)
	Memory	4 GB LPDDR3 (up to 8 GB)
	OS	Windows 10 IoT Enterprise, AIM Android 6.0
Storage	eMMC	64 GB default (up to 128 GB)
	Type	10.1" FHD LCD
Display	Resolution	WUXGA 1920 x 1200
	Brightness	380/800 cd/m ² (optional)
	Construction	Corning® Gorilla® Glass 3 with 10-point P-CAP touch control
Audio	Speaker	2 x internal speakers (2 W)
	Audio Jack	1 x audio combo jack (combines stereo audio output and mono microphone input)
	Camera	2.0-megapixel auto-focus camera
Sensors	Rear	5.0-megapixel auto-focus camera with LED flash
		Ambient Light Sensor, G-sensor / eCompass
Barcode Scanner	Barcode Scanner (Optional)	Integrated 1D/2D barcode scanner
	Standard I/O	1 x micro HDMI, 1 x USB 3.0, 1 x combo audio jack, 1 x 19 VDC-in jack, 1 x SIM card reader, 1 x micro SD card reader
I/O Interface	Extended I/O	1 x AIM module pogo pin connector at rear for supporting AIM extension modules
	Docking	16-pin pogo pin connector
	Buttons	1 x power button, 2 x volume keys (up/down), 1 x programmable function key
	LED Indicator	Full: green (100%); Charging: blue; Low: red (≤10%)
Wireless Communication	WLAN/Bluetooth	IEEE 802.11a/b/g/n/ac, Bluetooth® v4.1
	WWAN (Optional)	4G LTE module with AGPS
	NFC	13.56 MHz
GNSS	Satellite System (Optional)	Standalone GPS supports GLONASS, BeiDou
Power System	Power Adapter	Input: 100-240 V ~ 1.5 A 50/60 Hz, Output: 19 V, Max.65 W
	Battery	Hot-swappable smart battery with capacity LED indicators; Capacity: 26 WHr Operating time: Approx. 5.5hrs operation (dependent on user scenario*), Charging time: <3hrs
Mechanical	Dimensions (W x D x H)	280 x 18.3 x 180.1 mm (11 x 0.7 x 7.1 in)
	Weight	Approx. 980 g (2.2 lb)
Environment	Operating Temperature	-10 ~ 50 °C (14 ~ 122 °F)
	Storage Temperature	-20 ~ 70 °C (-4 ~ 158 °F)
	IP Rating	IP65
	Shock	Operating: 10 ~ 20 G, 11 ms; Non-operating: 50 G, 11 ms
	Vibration	Operating: (5 ~ 500 Hz) 0.5 ~ 1 G; Non-operating: (5 ~ 500 Hz) 0.04 PSD
	Humidity	Operating: 10 ~ 90% @ 40 °C non-condensing Storage: -10 ~ 95% non-condensing
	Altitude	Operating: sea level 0 to 3048 m (10k ft); Storage: sea level 0 to 12192 m (40k ft)
	Drop Tested	Up to 120 cm (4 ft) onto plywood over concrete
	Certifications/Safety/EMC	CE, CB, VCCI, UL60950 (ITE), UL2054, UN38.3, IEC62133, PSE for battery pack, FCC ID/PTCRB/R&TTE/SRRC/TELEC, FCC15 Class B, CE Mark (DOC Class B), REACH, RoHS

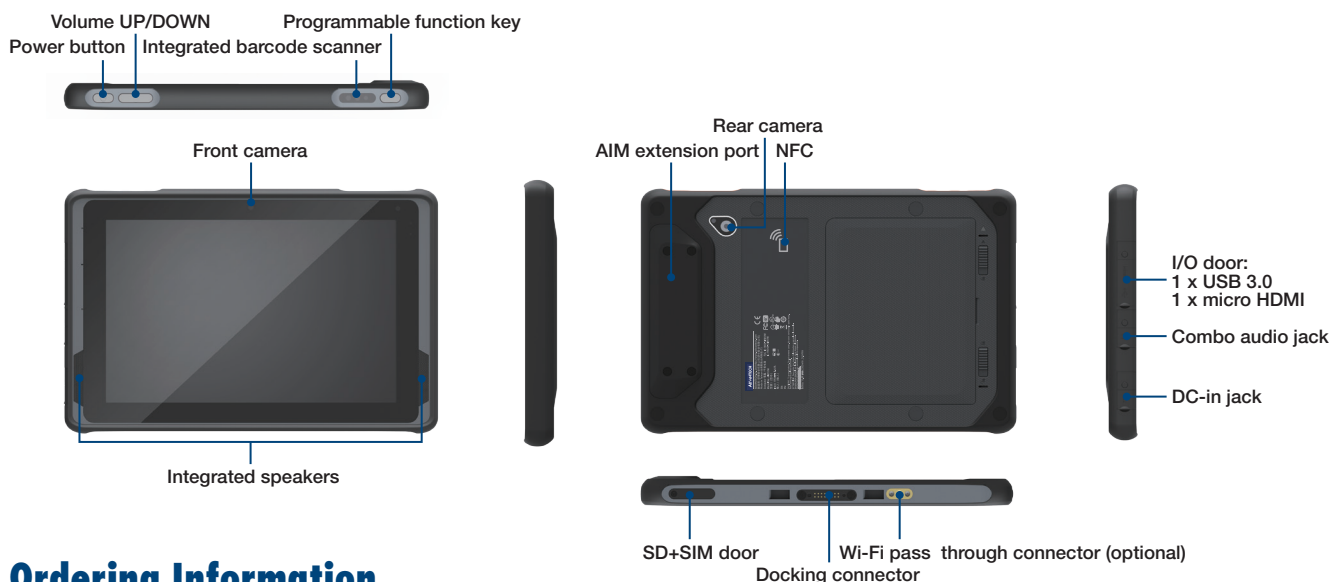
**Testing method: JEITA 2.0. The battery duration and recharge time may vary according to different factors such as screen brightness, applications, features, power management, battery condition, and other configurable settings.

Dimensions

Unit: mm



Front/Rear/Side I/O View



Ordering Information

Part Number	CPU	Memory	Storage	LCD	Barcode	NFC	Wi-Fi/BT	Wi-Fi Pass Through	LTE+GPS	F-Camera	R-Camera	OS
AIM-68CT-C2101000	Intel CHT I Z8750	4 GB	64 GB	380 nits	X	V	V	X	X	2M	5M	Win 10 IoT Enterprise
AIM-68CT-C21B1000	Intel CHT I Z8750	4 GB	64 GB	380 nits	V	V	V	X	X	2M	5M	Win 10 IoT Enterprise
AIM-68CT-C2103000	Intel CHT I Z8750	4 GB	64 GB	380 nits	X	V	V	X	V (NA)	2M	5M	Win 10 IoT Enterprise
AIM-68CT-C2105000	Intel CHT I Z8750	4 GB	64 GB	380 nits	X	V	V	X	V (EU)	2M	5M	Win 10 IoT Enterprise
AIM-68CT-C2104000	Intel CHT I Z8750	4 GB	64 GB	800 nits	X	V	V	V	V (NA)	2M	5M	Win 10 IoT Enterprise
AIM-68CT-C2106000	Intel CHT I Z8750	4 GB	64 GB	800 nits	X	V	V	V	V (EU)	2M	5M	Win 10 IoT Enterprise
AIM-68CT-C3101000	Intel CHT I Z8750	4 GB	64 GB	380 nits	X	V	V	X	X	2M	5M	Android 6.0
AIM-68CT-C31B1000	Intel CHT I Z8750	4 GB	64 GB	380 nits	V	V	V	X	X	2M	5M	Android 6.0
AIM-68CT-C3103000	Intel CHT I Z8750	4 GB	64 GB	380 nits	X	V	V	X	V (NA)	2M	5M	Android 6.0
AIM-68CT-C3104000	Intel CHT I Z8750	4 GB	64 GB	380 nits	X	V	V	X	V (EU)	2M	5M	Android 6.0
AIM-68CT-C3105000	Intel CHT I Z8750	4 GB	64 GB	800 nits	X	V	V	V	V (NA)	2M	5M	Android 6.0
AIM-68CT-C3106000	Intel CHT I Z8750	4 GB	64 GB	800 nits	X	V	V	V	V (EU)	2M	5M	Android 6.0

Optional Accessories

Part Number	Description
1700001947	Power cord UL 2P 7A 125 V 183 cm
1700002141	Power cord PSE 2P 7A 125 V 183 cm
1700008972	Power cord CCC 2P 2.5A 250 V 183 cm
1700001948-11	Power cord EU 2P 2.5A 250 V 183 cm

AIM-68 Packing List

Description
1 x AIM-68
1 x 10.8V/2400mAh lithium-ion battery
1 x AC/DC adaptor
1 x 2-pin power cord

For sales inquiries or further information, please contact us at Mobile@advantech.com.tw

AIM-VEH10

Vehicle Docking Stations for AIM-68 Industrial-Grade Tablet



Features

- Compatible with 9 ~ 32 V_{DC} in-vehicle power supply
- Easy and instant single-handed docking and undocking
- Anti-theft locking mechanism
- External GPS antenna
- Programmable function keys
- High-density connectors
- Compliant with SAE J1455 for vibration and shock tolerance
- Safe and reliable design for vehicle applications

CE FCC CCC

Specifications

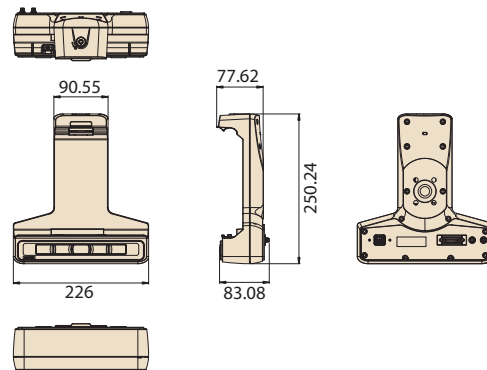
		Fully Configured Unit	Charging Dock Only
I/O	High-Density Connector	1 x CAN bus (supports raw CAN, J1939, OBD-II/ISO 15765) with configurable firmware	
		5 x Digital inputs	
		1 x Odometer (supports dry and wet contact) with configurable and switchable firmware (default wet contact)	
		2 x Digital outputs (supports speed pulse)	1 x Power input 12 V 1 A
		1 x RS-232 (4 wire)	
		1 x RS-232/485 (2 wire) (default RS-485, termination enabled)	
		1 x USB 2.0	
		1 x Power input 12 V 1 A	
		1 x RF pass through (optional)	
GPS	GPS Extended	1 x External GPS antenna	N/A
Function Keys		5 x Programmable function keys	N/A
Key Lock		Anti-theft key lock (key can be removed)	N/A
Power	Input Voltage	Supports 12/24 V vehicle power (9 ~ 32 VDC input range)	
Mechanical	Dimensions (W x D x H)	226 x 78.6 x 250.24 mm (8.9 x 3.1 x 9.9 in)	
	Weight	0.5 kg (1.10 lb) (TBD)	
Environment	Operating Temperature	-10 ~ 50 °C (14 ~ 122 °F); 0 ~ 40 °C (32 ~ 104 °F) for charging	
	Storage Temperature	-30 ~ 80 °C (-22 ~ 176 °F)	
	IP Rating	IP54	
	Vibration/Shock	SAE J1455	
	Safety	UL, CB, LVD, CCC	
	Vehicle Power Regulation	E-Mark, ISO7637-2	
	Certifications	CE, FCC, CCC	

Ordering Information

Part Number	Description
TBD	AIM vehicle docking station (full configuration)
TBD	AIM vehicle docking station (charging only)
1700026766-01	High-density cable
PWS-770-GPSAN00E	External GPS antenna
1700027666-01	Vehicle power cable (In-house engineer testing only)
1700027665-01	Vehicle power cable (vehicle battery)

Dimensions

Unit: mm



AIM-VSD

VESA Docking Stations for AIM-68



Features

- 9 ~ 32 V wide input voltage range
- VESA (75 x 75 mm)-compliant docking stations
- -10 ~ 50 °C (14 ~122 °F) operating temperature
- Reliable docking connector for office applications

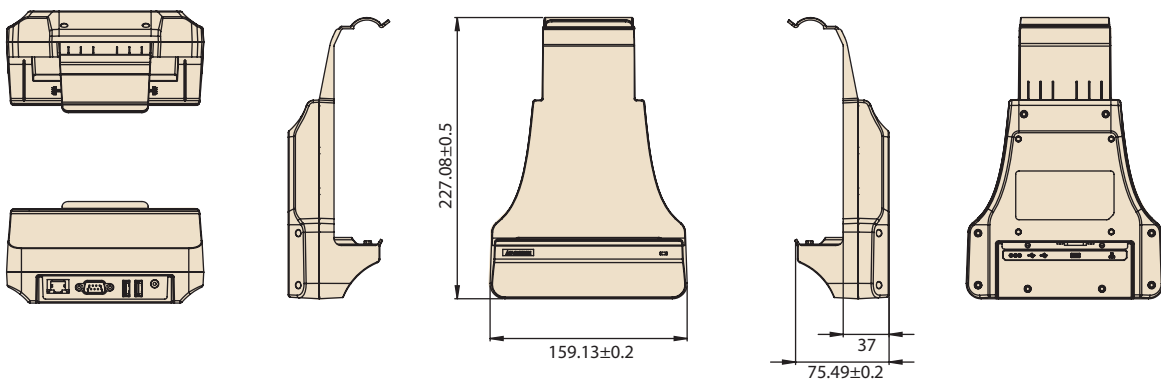
CE FCC

Specifications

		AIM 10 Advanced VESA Docking Station	AIM 10 VESA Docking Station with USB
I/O		2 x USB 3.0/2.0 1 x RS-232 COM 1 x Gigabit LAN 1 x Power jack	2 x USB 2.0 1 x Power jack
Stand		N/A	N/A
Power	Input Voltage	9 ~ 32 V	19 V
Mechanical	Dimensions (W x D x H)	159.13 x 75.49 x 227 mm (6.3 x 2.9 x 8.9 in)	159.13 x 75.49 x 227 mm (6.3 x 2.9 x 8.9 in)
	Weight	0.282 kg (0.62 lb)	0.28 kg (0.61 lb)
Environment	Operating Temperature	-10 ~ 50 °C (14 ~122 °F); 0 ~ 40 °C (32 ~104 °F) for charging	-10 ~ 50 °C (14 ~122 °F); 0 ~ 40 °C (32 ~104 °F) for charging
	Storage Temperature	-20 ~ 70 °C (-4 ~ 158 °F)	-20 ~ 70 °C (-4 ~ 158 °F)
	Safety	UL, CB, LVD, CCC	UL, CB, LVD, CCC
	Certifications	CE, FCC, CCC	CE, FCC, CCC

Dimensions

Unit: mm



Ordering Information

Part Number	Description
AIM-VSD0-0470	AIM 10 advanced VESA docking station
AIM-VSD0-0471	AIM 10 VESA docking station with USB

AIM-DDS

Desk Docking Stations for AIM-68



Features

- -10 ~ 50 °C (14 ~122 °F) operating temperature
- Reliable docking connector for office applications

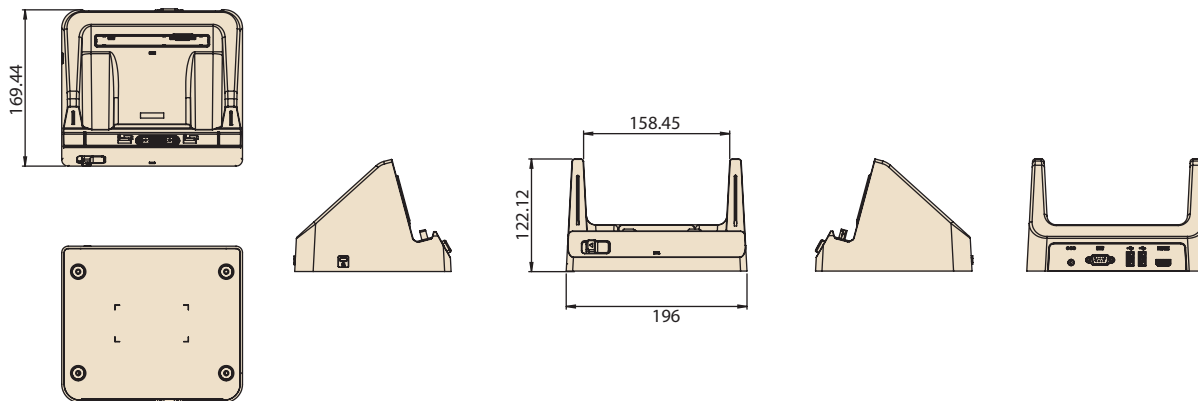
CE FCC CCC

Specifications

		AIM Advanced Desk Docking Station	AIM 10 Desk Docking Station
I/O		2 x USB 2.0 1 x RS-232 COM 1 x Power jack 1 x HDMI	2 x USB 2.0 1 x Power jack
Power	Input Voltage	19 V	19 V
Mechanical	Dimensions (W x D x H)	196 x 169.44 x 122.12 mm (7.72 x 6.67 x 4.81 in)	196 x 169.44 x 122.12 mm (7.72 x 6.67 x 4.81 in)
	Weight	0.745 kg (1.64 lb)	0.73 kg (1.60 lb)
Environment	Operating Temperature	-10 ~ 50 °C (14 ~122 °F); 0 ~ 40 °C (32 ~104 °F) for charging	-10 ~ 50 °C (14 ~122 °F); 0 ~ 40 °C (32 ~104 °F) for charging
	Storage Temperature	-20 ~ 70 °C (-4 ~ 158 °F)	-20 ~ 70 °C (-4 ~ 158 °F)
	Safety	CE, FCC, CCC	UL, CB, LVD, CCC
	Certifications	UL, CB, LVD, CCC	CE, FCC, CCC

Dimensions

Unit: mm

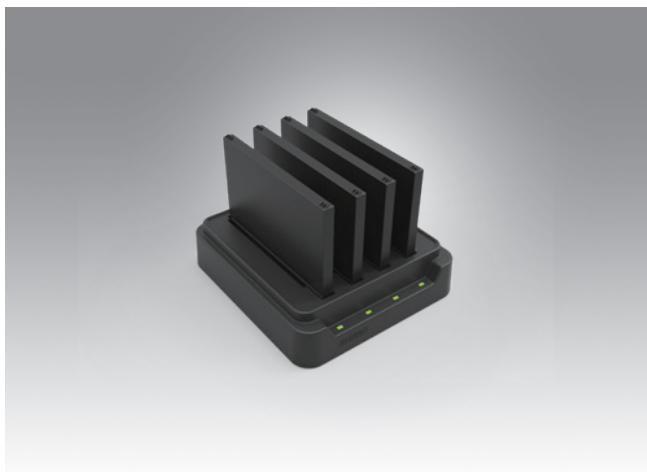


Ordering Information

Part Number	Description
AIM-OFD0-0480	AIM 10 advanced desk dock station
AIM-OFD0-0481	AIM 10 desk dock station

AIM-MCS

Multi-Bay Charging Station for AIM



Features

- Can charge up to 4 batteries simultaneously
- Overcurrent and overvoltage protection provided
- LED indicators for monitoring charging status

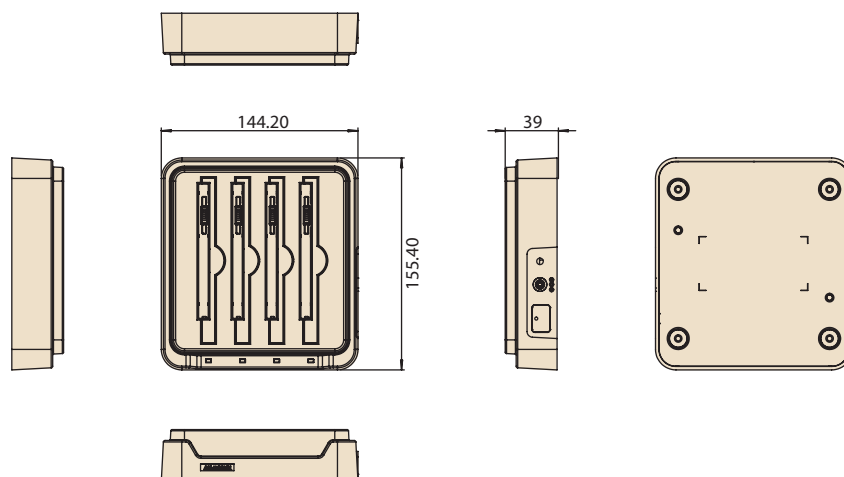


Specifications

		Multi-Battery Charging Station for AIM
Capacity	Number of Bays	4
	Charging Current	1 A
Power	Charging Voltage	12.6 V
	Input Voltage	19 V
	LED Indicators	Green: Full Amber: Charging Red: Error
Mechanical	Dimensions (W x D x H)	144.2 x 155.4 x 39 mm (5.7 x 6.1 x 1.5 in)
	Weight	0.48 kg (1.05 lb)
	Operating Temperature	0 ~ 40 °C (32 ~ 104 °F)
Environment	Storage Temperature	-10 ~ 50 °C (14 ~ 122 °F)
	Safety	UL, CB, LVD, CCC, RCM
	Certifications	CE, FCC, CCC, RCM, BSMI

Dimensions

Unit: mm



Ordering Information

Part Number	Description
AIM-MBC0-0051	Multi-battery charging station for AIM

AIM-68 Extensions and Accessories

Extension Modules

Barcode Scanner (20°)



Barcode Scanner (70°)



LAN + COM Module



UHF RFID Reader



Part Number	AIM-EXT0-0040	AIM-EXT0-0041	AIM-EXT0-0046	AIM-EXT0-0047 (EU)/ AIM-EXT0-0049 (US)
Color	Black	Black	Black	Black
Dimensions	130.2 x 38.7 x 27.8 mm (5.13 x 1.52 x 1.09 in)	130.2 x 38.7 x 32 mm (5.13 x 1.52 x 1.26 in)	130.2 x 70 x 29 mm (5.13 x 2.76 x 1.14 in)	130.2 x 70 x 45 mm (5.13 x 2.76 x 1.77 in)
Weight	0.042 kg (0.092 lb)	0.042 kg (0.092 lb)	0.078 kg (0.171 lb)	0.08 kg (0.176 lb)

Accessories

Hand Strap



Shoulder Strap



Active Stylus



Battery with Meter



Part Number	AIM-SRP0-0000	AIM-SRP0-0001	AIM-P704	AIM-BATO-0452
Color	Black	Black	Black	Black
Dimensions	240 x 20 mm (9.44 x 0.78 in)	380 x 135 x 20 mm (14.96 x 5.31 x 0.78 in)	140 x 9.7 mm (5.51 x 0.38 in)	120 x 87 x 7.5 mm (4.72 x 3.43 x 0.30 in)
Weight	0.022 kg (0.048 lb)	0.05 kg (0.11 lb)	0.02 kg (0.044 lb)	0.147 kg (0.324 lb)

AIM-68

10.1" Industrial Tablet with Intel® Atom™ Processor



Features

- Intel® Atom™ processor with Windows 10 IoT & Android 6.0 operating systems
- 10.1" WUXGA full HD display with scratch-resistant Corning® Gorilla® Glass 3 and multi-touch PCAP control
- WLAN, BT, NFC & 4G LTE technologies for seamless communication
- Optional docking stations include vehicle, VESA, and desk docking stations
- Optional extension modules such as 1D/2D barcode scanners and a LAN+COM module
- Optional accessories include a stylus, hand strap, and shoulder strap
- Additional modules and accessories can be customized according to application requirements



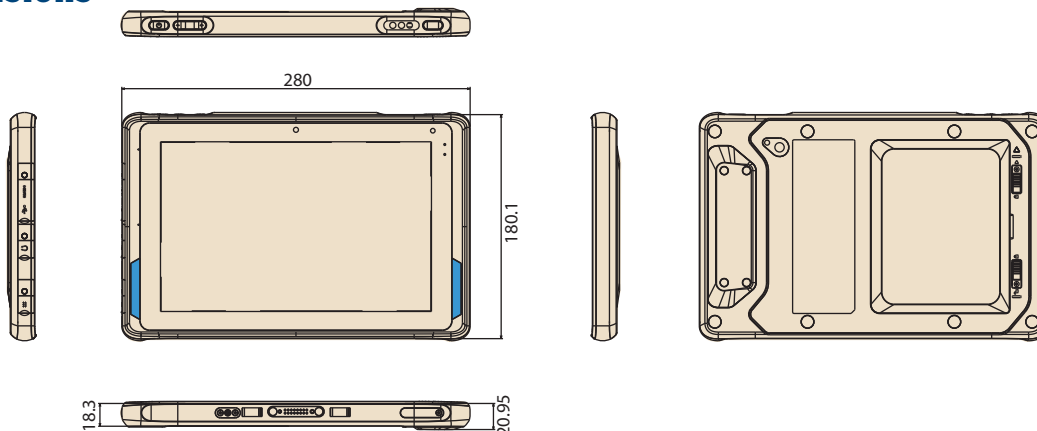
Specifications

System	Processor	Intel® Atom™ x7-Z8750 quad-core, 1.6 Ghz (2M cache, up to 2.56 Ghz)
	Memory	4 GB LPDDR3 (up to 8 GB)
	OS	Windows 10 IoT Enterprise, AIM Android 6.0
Storage	eMMC	64 GB default (up to 128 GB)
	Type	10.1" FHD LCD
Display	Resolution	WUXGA 1920 x 1200
	Brightness	380/800 cd/m ² (optional)
	Construction	Corning® Gorilla® Glass 3 with 10-point P-CAP touch control
Audio	Speaker	2 x internal speakers (2 W)
	Audio Jack	1 x audio combo jack (combines stereo audio output and mono microphone input)
	Camera	2.0-megapixel auto-focus camera
Sensors	Rear	5.0-megapixel auto-focus camera with LED flash
		Ambient Light Sensor, G-sensor / eCompass
Barcode Scanner	Barcode Scanner (Optional)	Integrated 1D/2D barcode scanner
I/O Interface	Standard I/O	1 x micro HDMI, 1 x USB 3.0, 1 x combo audio jack, 1 x 19 VDC-in jack, 1 x SIM card reader, 1 x micro SD card reader
	Extended I/O	1 x AIM module pogo pin connector at rear for supporting AIM extension modules
	Docking	16-pin pogo pin connector
	Buttons	1 x power button, 2 x volume keys (up/down), 1 x programmable function key
	LED Indicator	Full: green (100%); Charging: blue; Low: red (≤10%)
Wireless Communication	WLAN/Bluetooth	IEEE 802.11a/b/g/n/ac, Bluetooth® v4.1
	WWAN (Optional)	4G LTE module with AGPS
	NFC	13.56 MHz
GNSS	Satellite System (Optional)	Standalone GPS supports GLONASS, BeiDou
Power System	Power Adapter	Input: 100-240 V ~ 1.5 A 50/60 Hz, Output: 19 V, Max.65 W
	Battery	Hot-swappable smart battery with capacity LED indicators; Capacity: 26 WHr Operating time: Approx. 5.5hrs operation (dependent on user scenario*), Charging time: <3hrs
Mechanical	Dimensions (W x D x H)	280 x 18.3 x 180.1 mm (11 x 0.7 x 7.1 in)
	Weight	Approx. 980 g (2.2 lb)
Environment	Operating Temperature	-10 ~ 50 °C (14 ~ 122 °F)
	Storage Temperature	-20 ~ 70 °C (-4 ~ 158 °F)
	IP Rating	IP65
	Shock	Operating: 10 ~ 20 G, 11 ms; Non-operating: 50 G, 11 ms
	Vibration	Operating: (5 ~ 500 Hz) 0.5 ~ 1 G; Non-operating: (5 ~ 500 Hz) 0.04 PSD
	Humidity	Operating: 10 ~ 90% @ 40 °C non-condensing Storage: -10 ~ 95% non-condensing
	Altitude	Operating: sea level 0 to 3048 m (10k ft); Storage: sea level 0 to 12192 m (40k ft)
	Drop Tested	Up to 120 cm (4 ft) onto plywood over concrete
	Certifications/Safety/EMC	CE, CB, VCCI, UL60950 (ITE), UL2054, UN38.3, IEC62133, PSE for battery pack, FCC ID/PTCRB/R&TTE/SRRC/TELEC, FCC15 Class B, CE Mark (DOC Class B), REACH, RoHS

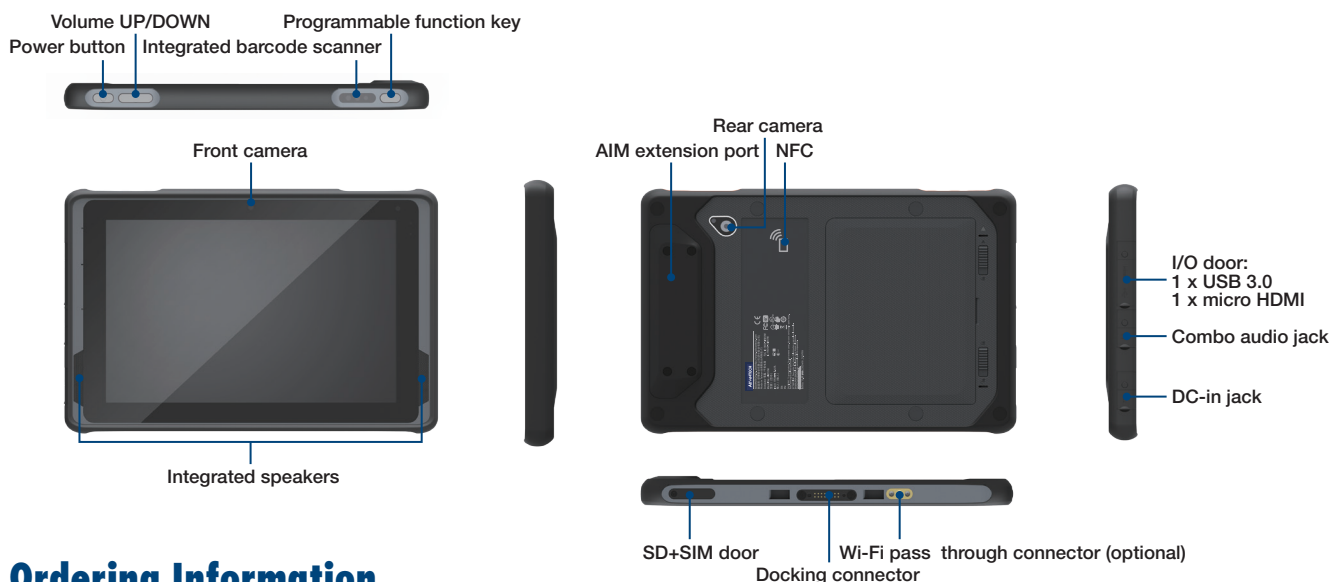
**Testing method: JEITA 2.0. The battery duration and recharge time may vary according to different factors such as screen brightness, applications, features, power management, battery condition, and other configurable settings.

Dimensions

Unit: mm



Front/Rear/Side I/O View



Ordering Information

Part Number	CPU	Memory	Storage	LCD	Barcode	NFC	Wi-Fi/BT	Wi-Fi Pass Through	LTE+GPS	F-Camera	R-Camera	OS
AIM-68CT-C2101000	Intel CHT Z8750	4 GB	64 GB	380 nits	X	V	V	X	X	2M	5M	Win 10 IoT Enterprise
AIM-68CT-C21B1000	Intel CHT Z8750	4 GB	64 GB	380 nits	V	V	V	X	X	2M	5M	Win 10 IoT Enterprise
AIM-68CT-C2103000	Intel CHT Z8750	4 GB	64 GB	380 nits	X	V	V	X	V (NA)	2M	5M	Win 10 IoT Enterprise
AIM-68CT-C2105000	Intel CHT Z8750	4 GB	64 GB	380 nits	X	V	V	X	V (EU)	2M	5M	Win 10 IoT Enterprise
AIM-68CT-C2104000	Intel CHT Z8750	4 GB	64 GB	800 nits	X	V	V	V	V (NA)	2M	5M	Win 10 IoT Enterprise
AIM-68CT-C2106000	Intel CHT Z8750	4 GB	64 GB	800 nits	X	V	V	V	V (EU)	2M	5M	Win 10 IoT Enterprise
AIM-68CT-C3101000	Intel CHT Z8750	4 GB	64 GB	380 nits	X	V	V	X	X	2M	5M	Android 6.0
AIM-68CT-C31B1000	Intel CHT Z8750	4 GB	64 GB	380 nits	V	V	V	X	X	2M	5M	Android 6.0
AIM-68CT-C3103000	Intel CHT Z8750	4 GB	64 GB	380 nits	X	V	V	X	V (NA)	2M	5M	Android 6.0
AIM-68CT-C3104000	Intel CHT Z8750	4 GB	64 GB	380 nits	X	V	V	X	V (EU)	2M	5M	Android 6.0
AIM-68CT-C3105000	Intel CHT Z8750	4 GB	64 GB	800 nits	X	V	V	V	V (NA)	2M	5M	Android 6.0
AIM-68CT-C3106000	Intel CHT Z8750	4 GB	64 GB	800 nits	X	V	V	V	V (EU)	2M	5M	Android 6.0

Optional Accessories

Part Number	Description
1700001947	Power cord UL 2P 7A 125 V 183 cm
1700002141	Power cord PSE 2P 7A 125 V 183 cm
1700008972	Power cord CCC 2P 2.5A 250 V 183 cm
1700001948-11	Power cord EU 2P 2.5A 250 V 183 cm

AIM-68 Packing List

Description
1 x AIM-68
1 x 10.8V/2400mAh lithium-ion battery
1 x AC/DC adaptor
1 x 2-pin power cord

For sales inquiries or further information, please contact us at Mobile@advantech.com.tw

AIM-VEH10

Vehicle Docking Stations for AIM-68 Industrial-Grade Tablet



Features

- Compatible with 9 ~ 32 V_{DC} in-vehicle power supply
- Easy and instant single-handed docking and undocking
- Anti-theft locking mechanism
- External GPS antenna
- Programmable function keys
- High-density connectors
- Compliant with SAE J1455 for vibration and shock tolerance
- Safe and reliable design for vehicle applications

CE FCC CCC

Specifications

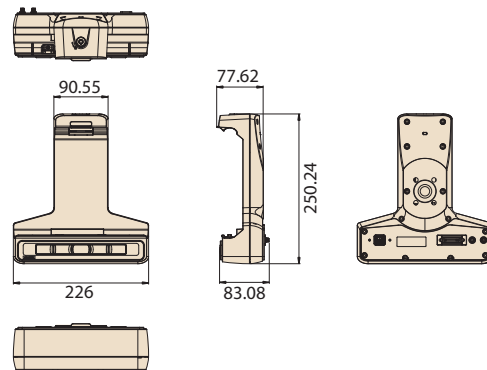
		Fully Configured Unit	Charging Dock Only
I/O	High-Density Connector	1 x CAN bus (supports raw CAN, J1939, OBD-II/ISO 15765) with configurable firmware	
		5 x Digital inputs 1 x Odometer (supports dry and wet contact) with configurable and switchable firmware (default wet contact)	1 x Power input 12 V 1 A
		2 x Digital outputs (supports speed pulse)	
		1 x RS-232 (4 wire)	
		1 x RS-232/485 (2 wire) (default RS-485, termination enabled)	
		1 x USB 2.0	
		1 x Power input 12 V 1 A	
		1 x RF pass through (optional)	
GPS	GPS Extended	1 x External GPS antenna	N/A
Function Keys		5 x Programmable function keys	N/A
Key Lock		Anti-theft key lock (key can be removed)	N/A
Power	Input Voltage	Supports 12/24 V vehicle power (9 ~ 32 VDC input range)	
Mechanical	Dimensions (W x D x H)	226 x 78.6 x 250.24 mm (8.9 x 3.1 x 9.9 in)	
	Weight	0.5 kg (1.10 lb) (TBD)	
Environment	Operating Temperature	-10 ~ 50 °C (14 ~ 122 °F); 0 ~ 40 °C (32 ~ 104 °F) for charging	
	Storage Temperature	-30 ~ 80 °C (-22 ~ 176 °F)	
	IP Rating	IP54	
	Vibration/Shock	SAE J1455	
	Safety	UL, CB, LVD, CCC	
	Vehicle Power Regulation	E-Mark, ISO7637-2	
	Certifications	CE, FCC, CCC	

Ordering Information

Part Number	Description
TBD	AIM vehicle docking station (full configuration)
TBD	AIM vehicle docking station (charging only)
1700026766-01	High-density cable
PWS-770-GPSAN00E	External GPS antenna
1700027666-01	Vehicle power cable (In-house engineer testing only)
1700027665-01	Vehicle power cable (vehicle battery)

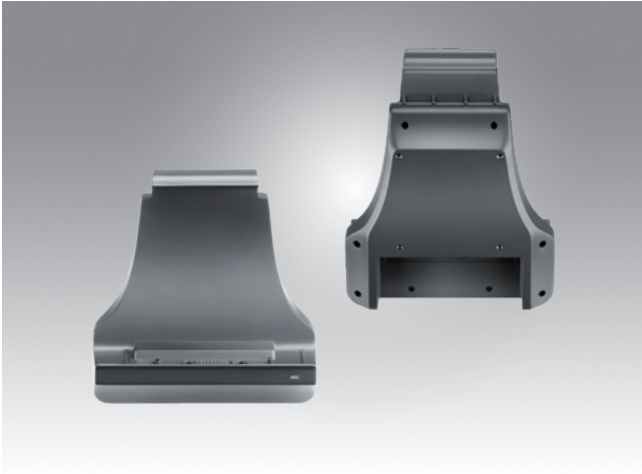
Dimensions

Unit: mm



AIM-VSD

VESA Docking Stations for AIM-68



Features

- 9 ~ 32 V wide input voltage range
- VESA (75 x 75 mm)-compliant docking stations
- -10 ~ 50 °C (14 ~122 °F) operating temperature
- Reliable docking connector for office applications

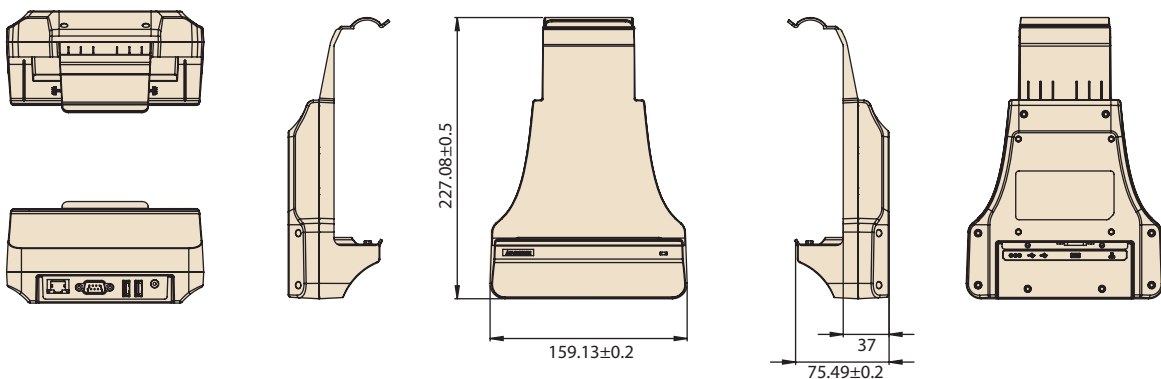
CE FCC

Specifications

		AIM 10 Advanced VESA Docking Station	AIM 10 VESA Docking Station with USB
I/O		2 x USB 3.0/2.0 1 x RS-232 COM 1 x Gigabit LAN 1 x Power jack	2 x USB 2.0 1 x Power jack
Stand		N/A	N/A
Power	Input Voltage	9 ~ 32 V	19 V
Mechanical	Dimensions (W x D x H)	159.13 x 75.49 x 227 mm (6.3 x 2.9 x 8.9 in)	159.13 x 75.49 x 227 mm (6.3 x 2.9 x 8.9 in)
	Weight	0.282 kg (0.62 lb)	0.28 kg (0.61 lb)
Environment	Operating Temperature	-10 ~ 50 °C (14 ~122 °F); 0 ~ 40 °C (32 ~104 °F) for charging	-10 ~ 50 °C (14 ~122 °F); 0 ~ 40 °C (32 ~104 °F) for charging
	Storage Temperature	-20 ~ 70 °C (-4 ~ 158 °F)	-20 ~ 70 °C (-4 ~ 158 °F)
	Safety	UL, CB, LVD, CCC	UL, CB, LVD, CCC
	Certifications	CE, FCC, CCC	CE, FCC, CCC

Dimensions

Unit: mm



Ordering Information

Part Number	Description
AIM-VSD0-0470	AIM 10 advanced VESA docking station
AIM-VSD0-0471	AIM 10 VESA docking station with USB

AIM-DDS

Desk Docking Stations for AIM-68



Features

- -10 ~ 50 °C (14 ~122 °F) operating temperature
- Reliable docking connector for office applications

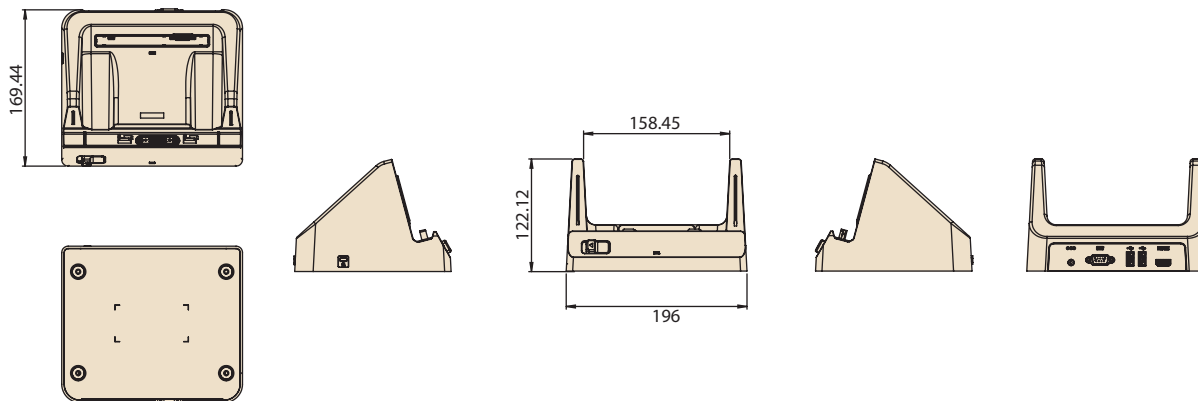
CE FCC CCC

Specifications

		AIM Advanced Desk Docking Station	AIM 10 Desk Docking Station
I/O		2 x USB 2.0 1 x RS-232 COM 1 x Power jack 1 x HDMI	2 x USB 2.0 1 x Power jack
Power	Input Voltage	19 V	19 V
Mechanical	Dimensions (W x D x H)	196 x 169.44 x 122.12 mm (7.72 x 6.67 x 4.81 in)	196 x 169.44 x 122.12 mm (7.72 x 6.67 x 4.81 in)
	Weight	0.745 kg (1.64 lb)	0.73 kg (1.60 lb)
Environment	Operating Temperature	-10 ~ 50 °C (14 ~122 °F); 0 ~ 40 °C (32 ~104 °F) for charging	-10 ~ 50 °C (14 ~122 °F); 0 ~ 40 °C (32 ~104 °F) for charging
	Storage Temperature	-20 ~ 70 °C (-4 ~ 158 °F)	-20 ~ 70 °C (-4 ~ 158 °F)
	Safety	CE, FCC, CCC	UL, CB, LVD, CCC
	Certifications	UL, CB, LVD, CCC	CE, FCC, CCC

Dimensions

Unit: mm



Ordering Information

Part Number	Description
AIM-OFD0-0480	AIM 10 advanced desk dock station
AIM-OFD0-0481	AIM 10 desk dock station

AIM-MCS

Multi-Bay Charging Station for AIM



Features

- Can charge up to 4 batteries simultaneously
- Overcurrent and overvoltage protection provided
- LED indicators for monitoring charging status

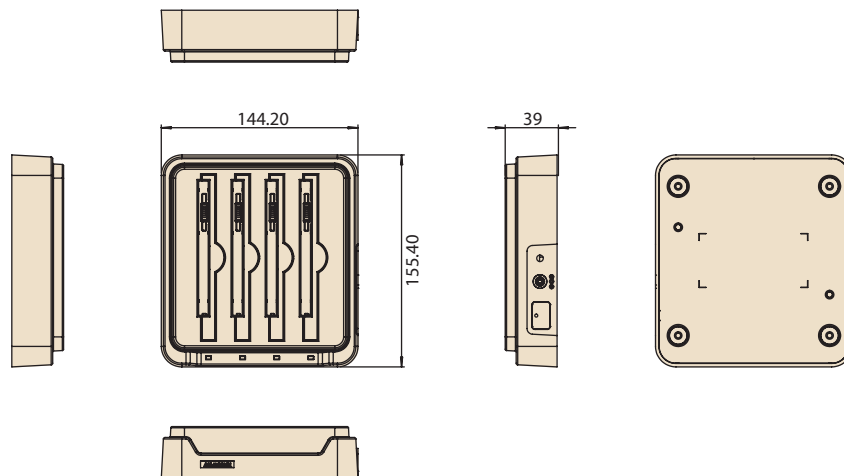


Specifications

		Multi-Battery Charging Station for AIM
Capacity	Number of Bays	4
	Charging Current	1 A
Power	Charging Voltage	12.6 V
	Input Voltage	19 V
	LED Indicators	Green: Full Amber: Charging Red: Error
Mechanical	Dimensions (W x D x H)	144.2 x 155.4 x 39 mm (5.7 x 6.1 x 1.5 in)
	Weight	0.48 kg (1.05 lb)
	Operating Temperature	0 ~ 40 °C (32 ~ 104 °F)
Environment	Storage Temperature	-10 ~ 50 °C (14 ~ 122 °F)
	Safety	UL, CB, LVD, CCC, RCM
	Certifications	CE, FCC, CCC, RCM, BSMI

Dimensions

Unit: mm



Ordering Information

Part Number	Description
AIM-MBC0-0051	Multi-battery charging station for AIM

AIM-68 Extensions and Accessories

Extension Modules

Barcode Scanner (20°)



Barcode Scanner (70°)



LAN + COM Module



UHF RFID Reader



Part Number	AIM-EXT0-0040	AIM-EXT0-0041	AIM-EXT0-0046	AIM-EXT0-0047 (EU)/ AIM-EXT0-0049 (US)
Color	Black	Black	Black	Black
Dimensions	130.2 x 38.7 x 27.8 mm (5.13 x 1.52 x 1.09 in)	130.2 x 38.7 x 32 mm (5.13 x 1.52 x 1.26 in)	130.2 x 70 x 29 mm (5.13 x 2.76 x 1.14 in)	130.2 x 70 x 45 mm (5.13 x 2.76 x 1.77 in)
Weight	0.042 kg (0.092 lb)	0.042 kg (0.092 lb)	0.078 kg (0.171 lb)	0.08 kg (0.176 lb)

Accessories

Hand Strap



Shoulder Strap



Active Stylus



Battery with Meter



Part Number	AIM-SRP0-0000	AIM-SRP0-0001	AIM-P704	AIM-BATO-0452
Color	Black	Black	Black	Black
Dimensions	240 x 20 mm (9.44 x 0.78 in)	380 x 135 x 20 mm (14.96 x 5.31 x 0.78 in)	140 x 9.7 mm (5.51 x 0.38 in)	120 x 87 x 7.5 mm (4.72 x 3.43 x 0.30 in)
Weight	0.022 kg (0.048 lb)	0.05 kg (0.11 lb)	0.02 kg (0.044 lb)	0.147 kg (0.324 lb)

AIM-68

10.1" Industrial Tablet with Intel® Atom™ Processor



Features

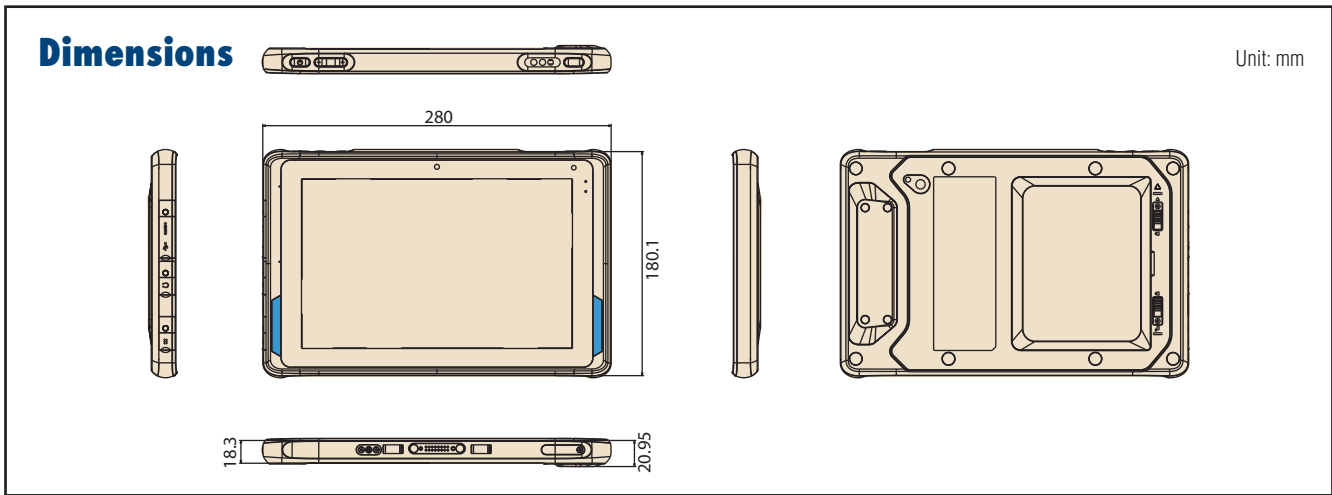
- Intel® Atom™ processor for Windows 10 IoT and AIM Android 6.0
- The hot-swappable battery with capacity meter that shows the remaining power and recharge status minimizes system interruptions for reliable long-duration operation
- Integrated barcode scanner supports data collection
- 10" WUXGA full HD display with scratch-resistant Corning® Gorilla® Glass 3 and multi-touch PCAP control
- WLAN, BT, NFC, 3G/4G LTE technology for seamless communications
- Optional extension include 1D/2D barcode scanner, LAN+COM module, UHF RFID module



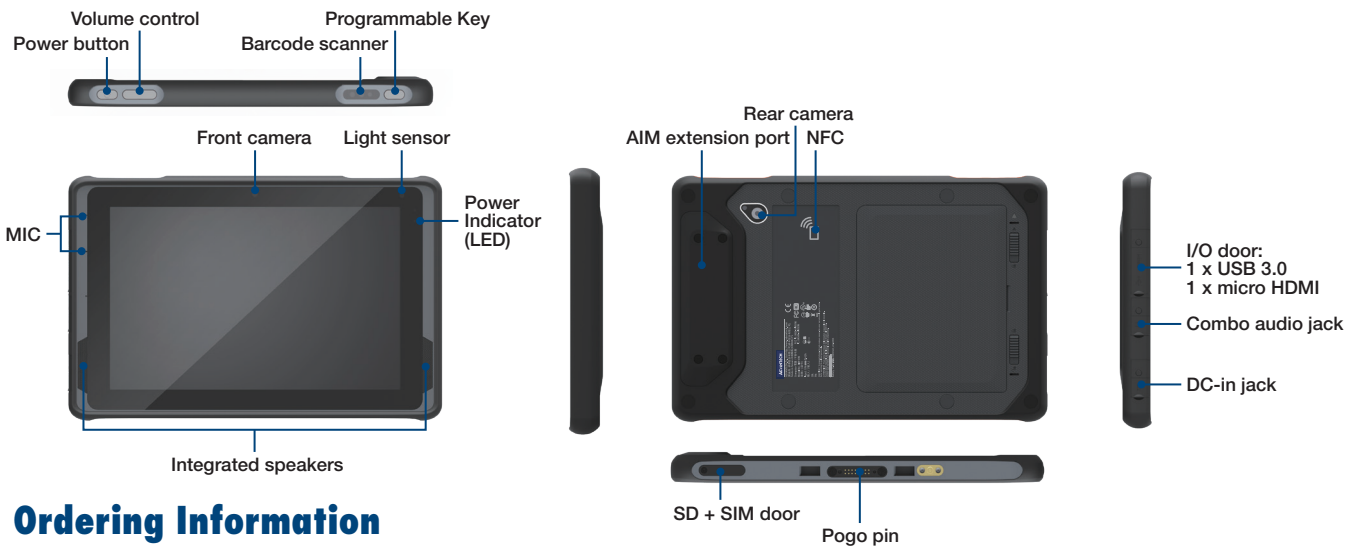
Specifications

System	Processor	Intel® Atom™ x7-Z8750 quad-core, 1.6 GHz (2M cache, up to 2.56 GHz)
	Memory	4 GB LPDDR3
	OS	Windows 10 IoT Enterprise, Android 6.0
Storage	eMMC	64 GB
Display	Type	10.1" FHD LCD
	Resolution	WUXGA 1920 x 1200
	Brightness	380 cd/m ² (optional 800 cd/m ²)
Touchscreen	Type	Corning® Gorilla® Glass 3 with 10-point P-CAP touch control
Audio	Speaker	2 x Internal speakers (2 W)
	Audio Jack	1 x Audio combo jack (combines stereo audio output and mono microphone input)
Camera	Front	2.0-megapixel fixed-focus camera
	Rear	5.0-megapixel auto-focus camera with LED flash
Sensors		Ambient light sensor, e-compass, G-sensor, gyroscope
Barcode Scanner (Optional)		Integrated 1D/2D barcode scanner
I/O Interface	Standard I/O	1 x Micro HDMI, 1 x USB 3.0, 1 x combo audio jack, 1 x 19 VDC-in jack, 1 x SIM card reader, 1 x micro SD card reader
	Extended I/O	1 x AIM extension 14-pin pogo connector, 1 x USB 2.0, 1 x 2-wire UART, 5V/1A power
	Docking	1 x AIM docking 16-pin pogo connector, 1 x USB 3.0, 9V power
	Buttons	1 x Power button, 2 x volume keys (up/down), 1 x programmable function key
	LED Indicator	Full: green (100%); Charging: blue; Low: red (≤10%)
Wireless Communication	WLAN/Bluetooth	IEEE 802.11a/b/g/n/ac, Bluetooth® v4.1
	WWAN (Optional)	4G LTE multi-device broadband
	NFC	13.56 MHz, compatible with ISO15693, ISO14443A, ISO 14443B, FeliCa
Power System	Input Voltage	DC jack: 19V/3.41A Docking pogo: 9V/2A
	Battery	Hot-swappable smart battery with capacity LED indicators; Capacity: 26 WHr Operating time: Approximately 5.5 hr (depending on usage scenario*) Charging time: < 3 hr
Mechanical	Dimensions (W x D x H)	280 x 18.3 x 180.1 mm (11 x 0.7 x 7.1 in)
	Weight	980 g (2.2 lb)
Environment	Operating Temperature	-10 ~ 50 °C (14 ~ 122 °F)
	Storage Temperature	-20 ~ 70 °C (-4 ~ 158 °F)
	IP Rating	IP65
	Shock	Operating: 10 ~ 20 G, 11 ms; Non-operating: 50 G, 11 ms
	Vibration	Operating: (5 ~ 500 Hz) 0.5 ~ 1 G; Non-operating: (5 ~ 500 Hz) 0.04 PSD
	Humidity	Operating: 10 ~ 90% @ 40 °C non-condensing Storage: -10 ~ 95% non-condensing
	Altitude	Operating: sea level 0 to 3048 m (10k ft); Storage: sea level 0 to 12192 m (40k ft)
	Drop Tested	Up to 120 cm (4 ft) onto plywood over concrete
	Safety/EMC	UL, CB, LVD + Energy Star 6.1, CE, FCC, IC, VCCI, BSMI
	Certifications	FCC ID, TELEC, NCC, SRRC, RCM

*Testing method: JEITA 2.0. The battery duration and recharge time may vary according to different factors such as screen brightness, applications, features, power management, battery condition, and other configurable settings.



System I/O



Ordering Information

Part Number	Description	Memory	Storage	LCD	Barcode	NFC	Wi-Fi/BT	LTE+GPS	F-Camera	R-Camera	OS
AIM-68CT-C2101000	10I/4G/64G/WIN10/AC/G/	4 GB	64 GB	380 nits	X	V	V	X	2M	5M	Win 10 IoT Enterprise
AIM-68CT-C21B1000	10I/4G/64G/WIN10/AC/BCR/G/	4 GB	64 GB	380 nits	V	V	V	X	2M	5M	Win 10 IoT Enterprise
AIM-68CT-C2103000	10I/4G/64G/WIN10/AC/NA/GPS/G/	4 GB	64 GB	380 nits	X	V	V	V (NA)	2M	5M	Win 10 IoT Enterprise
AIM-68CT-C2105000	10I/4G/64G/WIN10/AC/EU/GPS/G/	4 GB	64 GB	380 nits	X	V	V	V (EU)	2M	5M	Win 10 IoT Enterprise
AIM-68CT-C2107000	10I/4G/64G/WIN10/AC/APAC/GPS/G/	4 GB	64 GB	380 nits	X	V	V	V (APAC)	2M	5M	Win 10 IoT Enterprise
AIM-68CT-C2104000	10I/4G/64G/WIN10/AC/NA/GPS/HB/G/	4 GB	64 GB	800 nits	X	V	V	V (NA)	2M	5M	Win 10 IoT Enterprise
AIM-68CT-C2106000	10I/4G/64G/WIN10/AC/EU/GPS/HB/G/	4 GB	64 GB	800 nits	X	V	V	V (EU)	2M	5M	Win 10 IoT Enterprise
AIM-68CT-C2108000	10I/4G/64G/WIN10/AC/APAC/GPS/HB/G/	4 GB	64 GB	800 nits	X	V	V	V (APAC)	2M	5M	Win 10 IoT Enterprise
AIM-68CT-C3101000	10I/4G/64G/A6.0/AC/G/	4 GB	64 GB	380 nits	X	V	V	X	2M	5M	Android 6.0
AIM-68CT-C31B1000	10I/4G/64G/A6.0/AC/BCR/G/	4 GB	64 GB	380 nits	V	V	V	X	2M	5M	Android 6.0
AIM-68CT-C3103000	10I/4G/64G/A6.0/AC/NA/GPS/G/	4 GB	64 GB	380 nits	X	V	V	V (NA)	2M	5M	Android 6.0
AIM-68CT-C3105000	10I/4G/64G/A6.0/AC/EU/GPS/G/	4 GB	64 GB	380 nits	X	V	V	V (EU)	2M	5M	Android 6.0
AIM-68CT-C3107000	10I/4G/64G/A6.0/AC/APAC/GPS/G/	4 GB	64 GB	380 nits	X	V	V	V (APAC)	2M	5M	Android 6.0
AIM-68CT-C3104000	10I/4G/64G/A6.0/AC/NA/GPS/HB/G/	4 GB	64 GB	800 nits	X	V	V	V (NA)	2M	5M	Android 6.0
AIM-68CT-C3106000	10I/4G/64G/A6.0/AC/EU/GPS/HB/G/	4 GB	64 GB	800 nits	X	V	V	V (EU)	2M	5M	Android 6.0
AIM-68CT-C3108000	10I/4G/64G/A6.0/AC/APAC/GPS/HB/G/	4 GB	64 GB	800 nits	X	V	V	V (APAC)	2M	5M	Android 6.0
AIM-68CT-C3101TBA	10I/4G/64G/A6.0_U/AC/G/	4 GB	64 GB	380 nits	X	V	V	X	2M	5M	Android 6.0 For SOTI
AIM-68CT-C31B1TBA	10I/4G/64G/A6.0_U/AC/BCR/G/	4 GB	64 GB	380 nits	V	V	V	X	2M	5M	Android 6.0 For SOTI
AIM-68CT-C3104TBA	10I/4G/64G/A6.0_U/AC/NA/GPS/HB/G/	4 GB	64 GB	800 nits	X	V	V	V (NA)	2M	5M	Android 6.0 For SOTI
AIM-68CT-C3106TBA	10I/4G/64G/A6.0_U/AC/EU/GPS/HB/G/	4 GB	64 GB	800 nits	X	V	V	V (EU)	2M	5M	Android 6.0 For SOTI
AIM-68CT-C3108TBA	10I/4G/64G/A6.0_U/AC/APAC/GPS/HB/G/	4 GB	64 GB	800 nits	X	V	V	V (APAC)	2M	5M	Android 6.0 For SOTI

Optional Accessories

Part Number	Description
AIM-ADPO-0424	ADP A/D 100-240V 65W 19V DC IN
1700001947	Power cord (USA) IUL 2P 7A 125 V 183 cm
1700001949	Power Cord(UK) BSI 2P 2.5A 250V 183cm
1700029278-01	Power Cord (Japan) PSE 2P 7A 125V 183cm
1700029279-01	Power Cord (NZ/AU) SAA 2P 2.5A 250V 183 cm
1700008972	Power cord (China)CCC 2P 2.5A 250 V 183 cm
1700001948-11	Power cord (EU) EU 2P 2.5A 250 V 183 cm
1700021662-01	Power Cord (TW) BSMI 2P 2.5A 125V 183cm

Note: Power cords are suitable for AIM-68, AIM-VSD, and AIM-DDS.

For sales inquiries or further information, please contact us at Mobile@advantech.com.tw

AIM-68 Packing List

Description
1 x AIM-68
1 x AC/DC adaptor
1 x 2-pin power cord (USA)

AIM-68 Vehicle Docking Station



Features

- Compatible with 9 ~ 32 V_{DC} in-vehicle power supply
- Easy and instant single-handed docking and undocking
- Anti-theft locking mechanism
- External GPS antenna
- Programmable function keys
- High-density connectors
- Compliant with SAE J1455 for vibration and shock tolerance
- Safe and reliable design for vehicle applications

CE FCC CCC

Specifications

		Fully Configured Unit	Charging Dock Only
I/O	High-Density Connector	1 x CAN bus (supports raw CAN, J1939, OBD-II/ISO 15765) with configurable firmware 5 x Digital inputs 1 x Odometer (supports dry and wet contact) with configurable and switchable firmware (default wet contact) 2 x Digital outputs (supports speed pulse) 1 x RS-232 (4 wire) 1 x RS-232/485 (2 wire) (default RS-485, termination enabled) 1 x USB 2.0 1 x Power input 12 V 1 A	1 x Power input 12 V 1 A
GPS	GPS Extended	1 x External GPS antenna	N/A
Function Keys		5 x Programmable function keys	N/A
Key Lock		Anti-theft key lock (key can be removed)	N/A
Power	Input Voltage	Supports 12/24 V vehicle power (9 ~ 32 V _{DC} input range)	
Mechanical	Dimensions (W x D x H)	226 x 83.08 x 250.24 mm (8.9 x 3.27 x 9.9 in)	
	Weight	0.77 kg (1.70 lb)	
Environment	Operating Temperature	-10 ~ 50 °C (14 ~ 122 °F); 0 ~ 40 °C (32 ~ 104 °F) for charging	
	Storage Temperature	-30 ~ 80 °C (-22 ~ 176 °F)	
	IP Rating	IP54	
	Vibration/Shock	SAE J1455	
	Safety	UL, CB, LVD, CCC	
	Vehicle Power Regulation	ISO7637-2	
	Certifications	CE, FCC, CCC	

Ordering Information

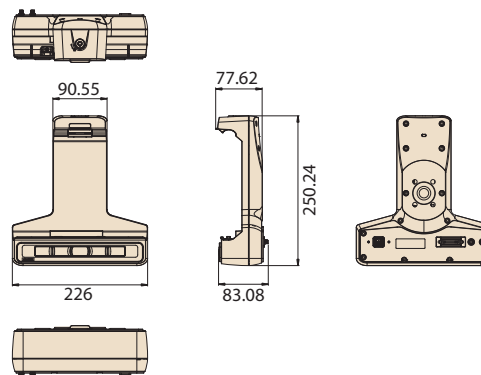
Part Number	Description
AIM-VED0-0422	AIM vehicle docking station (full configuration)
AIM-VED0-0423	AIM vehicle docking station (charging only)
1700026766-01	High-density cable
PWS-770-GPSAN00E	External GPS antenna
1700027666-01	Vehicle power cable (In-house engineer testing only)
1700027665-01	Vehicle power cable (vehicle battery)

Packing List

Item	AIM-VED0-0422	AIM-VED0-0423
1	1 x Vehicle Dock (Fully I/O)	1 x Vehicle Dock (Charging Only)
2	1 x Vehicle power cable (vehicle battery)	1 x Vehicle power cable (vehicle battery)

Dimensions

Unit: mm



AIM-68 VESA Docking Station



Features

- 9 ~ 32 V wide input voltage range
- VESA (75 x 75 mm)-compliant docking stations
- -10 ~ 50 °C (14 ~122 °F) operating temperature
- Reliable docking connector for office applications

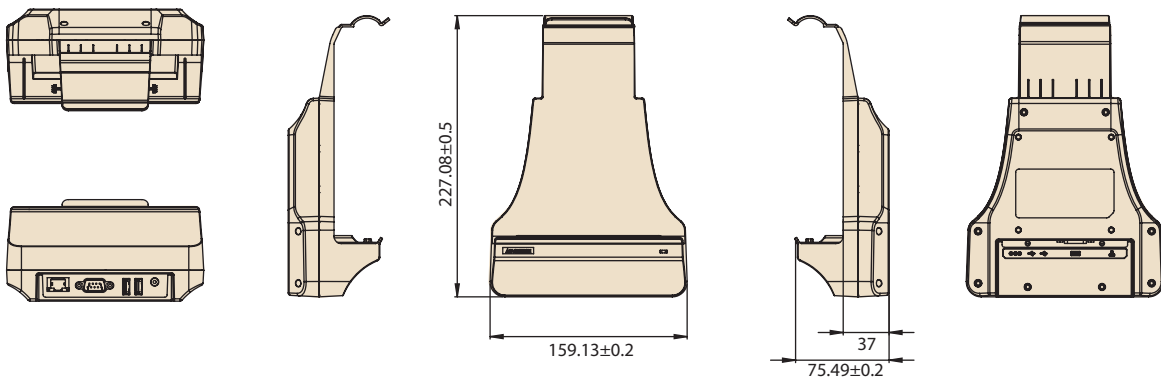
CE FCC

Specifications

		Advanced VESA Docking Station	VESA Docking Station with USB
I/O		2 x USB 3.0/2.0 1 x RS-232 COM 1 x Gigabit LAN 1 x Power jack	2 x USB 2.0 1 x Power jack
Stand		N/A	N/A
Power	Input Voltage	9 ~ 32 V	19 V
Mechanical	Dimensions (W x D x H)	159.13 x 75.49 x 227 mm (6.3 x 2.9 x 8.9 in)	159.13 x 75.49 x 227 mm (6.3 x 2.9 x 8.9 in)
	Weight	0.33 kg (0.72 lb)	0.32 kg (0.71 lb)
Environment	Operating Temperature	-10 ~ 50 °C (14 ~122 °F); 0 ~ 40 °C (32 ~104 °F) for charging	-10 ~ 50 °C (14 ~122 °F); 0 ~ 40 °C (32 ~104 °F) for charging
	Storage Temperature	-20 ~ 70 °C (-4 ~ 158 °F)	-20 ~ 70 °C (-4 ~ 158 °F)
	Safety	UL, CB, LVD, CCC	UL, CB, LVD, CCC
	Certifications	CE, FCC, CCC	CE, FCC, CCC

Dimensions

Unit: mm



Ordering Information

Part Number	Description
AIM-VSD0-0470	AIM 10 advanced VESA docking station
AIM-VSD0-0471	AIM 10 VESA docking station with USB

Packing List

Item	AIM-VSD0-0470	AIM-VSD0-0471
1	1 x VESA Dock(Advanced I/O)	1 x Vehicle Dock (Charging & USB Only)

Note: The packing list doesn't include adapter and power cord. Please order based on following PNs.

Optional Accessories

Part Number	Description
AIM-ADP0-0424	ADP A/D 100-240V 65W 19V DC IN
1700001947	Power cord (USA) UL 2P 7A 125 V 183 cm
1700001949	Power Cord(UK) BSI 2P 2.5A 250V 183cm
1700029278-01	Power Cord (Japan) PSE 2P 7A 125V 183cm
1700029279-01	Power Cord (NZ/AU) SAA 2P 2.5A 250V 183 cm
1700008972	Power cord (China)CCC 2P 2.5A 250 V 183 cm
1700001948-11	Power cord (EU) EU 2P 2.5A 250 V 183 cm
1700021662-01	Power Cord (TW) BSMI 2P 2.5A 125V 183cm

AIM-68 Desk Docking Station



Features

- 10 ~ 50 °C (14 ~ 122 °F) operating temperature
- Reliable docking connector for office applications

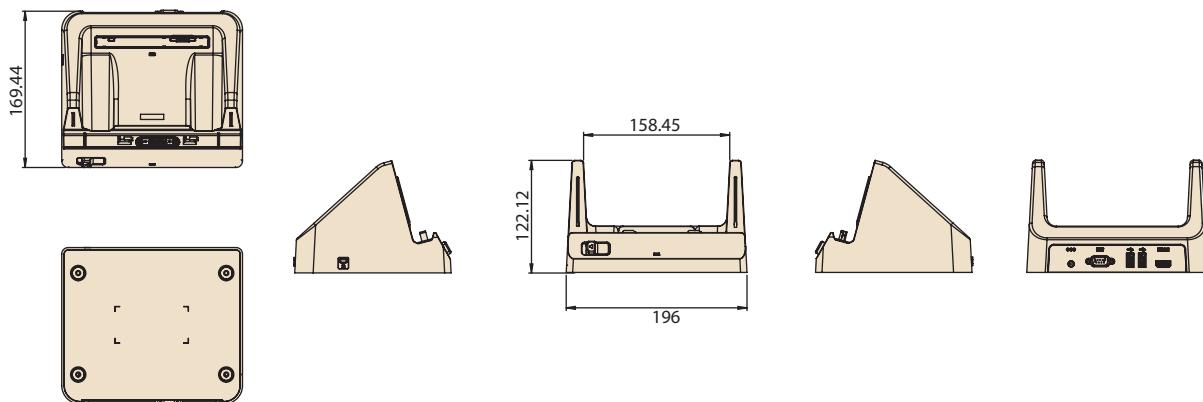
CE FCC CCC

Specifications

		Advanced Desk Docking Station	Desk Docking Station with USB
I/O		2 x USB 2.0 1 x RS-232 COM 1 x Power jack 1 x HDMI 1 x Battery charging bay	2 x USB 2.0 1 x Power jack
	Power	Input Voltage 19 V	19 V
Mechanical	Dimensions (W x D x H)	196 x 169.44 x 122.12 mm (7.72 x 6.67 x 4.81 in)	196 x 169.44 x 122.12 mm (7.72 x 6.67 x 4.81 in)
	Weight	0.76 kg (1.68 lb)	0.75 kg (1.65 lb)
Environment	Operating Temperature	-10 ~ 50 °C (14 ~ 122 °F); 0 ~ 40 °C (32 ~ 104 °F) for charging	-10 ~ 50 °C (14 ~ 122 °F); 0 ~ 40 °C (32 ~ 104 °F) for charging
	Storage Temperature	-20 ~ 70 °C (-4 ~ 158 °F)	-20 ~ 70 °C (-4 ~ 158 °F)
	Safety	CE, FCC, CCC	UL, CB, LVD, CCC
	Certifications	UL, CB, LVD, CCC	CE, FCC, CCC

Dimensions

Unit: mm



Ordering Information

Part Number	Description
AIM-OFD0-0480	AIM 10 advanced desk dock station
AIM-OFD0-0481	AIM 10 desk dock station with USB

Packing List

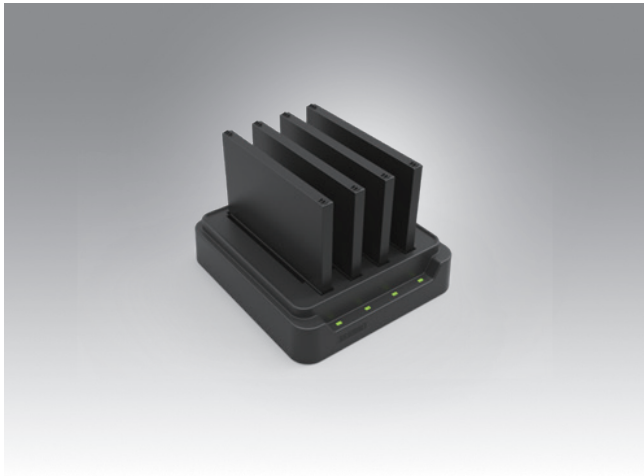
Item	AIM-OFD0-0480	AIM-OFD0-0481
1	1 x Office Dock(Advanced I/O)	1 x Office Dock (Charging & USB Only)

Note: The packing list doesn't include adapter and power cord. Please order based on following PNs.

Optional Accessories

Part Number	Description
AIM-ADP0-0424	ADP A/D 100-240V 65W 19V DC IN
1700001947	Power cord (USA) UL 2P 7A 125 V 183 cm
1700001949	Power Cord(UK) BSI 2P 2.5A 250V 183cm
1700029278-01	Power Cord (Japan) PSE 2P 7A 125V 183cm
1700029279-01	Power Cord (NZ/AU) SAA 2P 2.5A 250V 183 cm
1700008972	Power cord (China)CCC 2P 2.5A 250 V 183 cm
1700001948-11	Power cord (EU) EU 2P 2.5A 250 V 183 cm
1700021662-01	Power Cord (TW) BSMI 2P 2.5A 125V 183cm

AIM Multi-Battery Charging Station



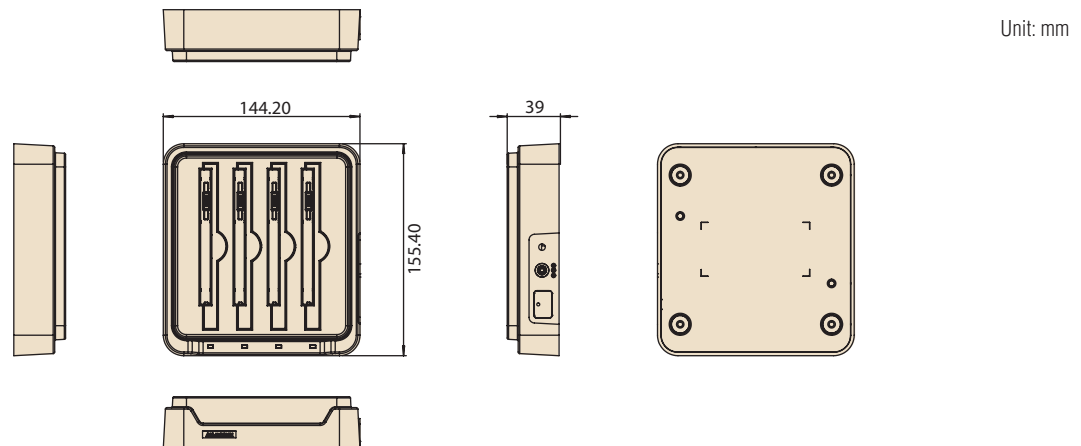
Features

- Supports charging of up to 4 batteries simultaneously
- Overcurrent and overvoltage protection provided
- LED indicators for monitoring charging status

Specifications

		Multi-Battery Charging Station for AIM
Capacity	Number of Bays	4
	Charging Current	1 A
Power	Charging Voltage	12.6 V
	Input Voltage	19 V
LED Indicators		Green: Full Amber: Charging Red: Error
Mechanical	Dimensions (W x D x H)	144 x 155 x 39 mm (5.7 x 6.1 x 1.5 in)
	Weight	0.48 kg (1.05 lb)
Environment	Operating Temperature	0 ~ 40 °C (32 ~104 °F)
	Storage Temperature	-10 ~ 50 °C (14 ~ 122 °F)
	Safety	UL, CB, LVD, CCC, RCM
	Certifications	CE, FCC, CCC, RCM, BSMI

Dimensions



Ordering Information

Part Number	Description
AIM-MBC0-0051	Multi-battery charging station for AIM

Packing List

Item	AIM-MBC0-0051
1	1 x Multi Battery Charger
2	1 x AC/DC adaptor

Note: The packing list doesn't include power cord. Please order based on following PNs.

Optional Accessories

Part Number	Description
96PSA-A65W19V1-1	ADP A/D 100-240V 65W 19V C6 DC PLUG 180°
1700001524	Power cord (USA) UL 3P 10A 125V 183 cm
1700008921	Power cord (Japan) PSE 3P 7A 125V 183 cm
1700019146	Power cord (China) CCC 3P 10A 250V 183 cm
1700018553	Power cord (NZ/AU) SAA 3P 10A 250V 183 cm
170203180A	Power cord (UK) BSI 3P 10A 250V 183 cm
170203183C	Power cord (EU) 3P 2.5A 250V 183 cm

AIM-68 Extensions and Accessories

Extension Modules

Barcode Scanner (20°)



Barcode Scanner (70°)



LAN + COM Module



UHF RFID Reader



Part Number	AIM-EXT0-0040	AIM-EXT0-0041	AIM-EXT0-0046	AIM-EXT0-0047 (EU) AIM-EXT0-0049 (US)
Features	<ul style="list-style-type: none"> Sensor: 640 x 480 CMOS sensor Illumination & Aiming: White LED illuminator/Red LED dot aimer Frame rate: 30 fps Field of view: Horizontal: 37.8°; Vertical: 28.8° 	<ul style="list-style-type: none"> Sensor: 640 x 480 CMOS sensor Illumination & Aiming: White LED illuminator/Red LED dot aimer Frame rate: 30 fps Field of view: Horizontal: 37.8°; Vertical: 28.8° 	<ul style="list-style-type: none"> 1 x 10/100 Ethernet port 1 x COM port 	<ul style="list-style-type: none"> RFID output power: 25 watt RFID antenna type: Linear polarization Frequency: <ul style="list-style-type: none"> EU: 867 ~ 869MHz; US: 913 ~ 917 MHz Tag standard supported: EPC Class 2 Gen. 2/ ISO 18000-6C
Dimensions	130.2 x 38.7 x 27.8 mm (5.12 x 1.52 x 1.09 in)	130.2 x 38.7 x 32 mm (5.12 x 1.52 x 1.25 in)	130.2 x 70 x 29 mm (5.12 x 2.75 x 1.14 in)	130.20 x 63.80 x 79.40 mm (5.12 x 2.5 x 3.13 in)
Weight	0.042 kg (0.092 lb)	0.042 kg (0.092 lb)	0.078 kg (0.171 lb)	0.08 kg (0.176 lb)

Accessories

Hand Strap



Shoulder Strap (Portrait)



Shoulder Strap (Landscape)



Battery with Meter



Stylus Holder

Part Number	AIM-SRP0-0000	AIM-SRP0-0001	AIM-SRP0-0002	AIM-BATO-0452
Features	Black With one stylus holder	Black With one stylus holder	Black With one stylus holder	Black
Dimensions	240 x 20 mm (9.44 x 0.78 in)	380 x 135 x 20 mm (14.96 x 5.31 x 0.78 in)	1820 x 20 mm (71.65 x 0.78 in)	120 x 87 x 7.5 mm (4.72 x 3.43 x 0.30 in)
Weight	0.022 kg (0.048 lb)	0.05 kg (0.11 lb)	0.05 kg (0.11 lb)	0.147 kg (0.324 lb)

Active Stylus



Stylus tether



AG+AR Screen Protective Film



Part Number	AIM-P704	AIM-P704A0	AIM-EXT0-0480
Features	Black	Black	Hardness: 2~3H Reflection Rate: 0.15% Haze: 15%
Dimensions	140 x 9.7 mm (5.51 x 0.38 in)	195 mm (7.68 in)	249 x 165 X 0.150 mm (9.80 x 6.50 x 0.006 in)
Weight	0.02 kg (0.044 lb)	0.01 kg (0.02 lb)	0.014 kg (0.03 lb)

PWS-870

10" Industrial Tablet with 4th Generation Intel® Core™ i Processor



Features

- MIL-STD-810G and IP65 certified, can withstand drops of up to 4ft.
- 10.1" HD high-brightness, multi-touch, Gorilla Glass panel with digitizer
- 4th generation Intel® Core™ i processor supports Windows 8
- Built-in 4G LTE, WLAN (802.11 a/b/g/n/ac), BT4.0, and GPS modules with Beidou/GLONASS support
- Hot-swappable battery provides up to 11 hours operation⁽¹⁾
- Built-in dual cameras, 1D/2D barcode scanner, and NFC RFID
- Rich peripherals with vehicle docking station, desk docking station, and extension module support



Introduction

The PWS-870 is a fully rugged mobile tablet featuring a 10.1" HD resolution capacitive Multi Touch panel, an Intel Core i processor, mSATA SATA3 SSD storage, USB 3.0 and HDMI communication IO ports. For communication it comes with 802.11 a/b/g/n/ac WiFi, Bluetooth, GPS, and 4G LTE. One of the most important unique design features is its built-in data collection features: 2M/5M dual cameras, 1D/2D barcode reader, and NFC RFID reader. To mobile field workers, hot-swappable external battery for long-lasting support allows the system to operate for up to 11 hours at a time. The fully-rugged design (MIL-STD-810G, IP65 dust & water resistant and 4-foot drop) allows PWS-870 to perform in harsh environments. With sunlight readable display, PWS-870 is a perfect device for outdoor work.

Specifications

Motherboard	CPU & Chipset	Intel® Core™ i3 Processor 1.7 GHz 4010U Intel® Core™ i5 Processor 1.9 GHz 4300U with Turbo Boost to 2.9GHz Intel® Core™ i7 Processor 1.7 GHz 4650U with Turbo Boost to 3.3 GHz	
	Memory	SO-DIMM DDR3L 1600 MHz up to 8 GB ⁽²⁾	
	Storage	Support mSATA SATAIII SSD 64 GB ~ 256 GB ⁽²⁾	
Display & Touchscreen	Display	10.1" HD (1366x768) Low reflection LED Backlight LCD (400 nits default; 950 nits by project)	
	Touch Panel	Capacitive multi touch Sunlight readable feature Display with Corning® Gorilla® Glass Gen3	
	Sensor	Ambient light, Accelerometer (G-Sensor), E-compass, Gyroscope Sensor - Screen Rotation: 0°, 90°, 270°	
System	WLAN+Bluetooth	IEEE 802.11 a/b/g/n/ac+ Blueooth V4.0(class2)+EDR	
	WWAN	Integrated 4G (LTE,HSPA+, GSM/GPRS/EDGE) MC7305 for EU B1/B3/B7/B8/B20 MC7355 for US B2/B4/B5/B13/B17/B25	
	GNSS	Dedicated GPS, Beidou and Glonass	
	Camera	Front Camera: 2M pixel CMOS sensor; supports video streaming Rear Camera: 5M pixel CMOS sensor; with LED flash light and auto focus control	
	Data Collection	Optional built-in 1D barcode scanner (Honeywell N4313) Optional built-in 2D barcode scanner (Honeywell N5600) Optional built-in NFC RFID reader (13.56MHz, supports ISO14443A/B, ISO15693, MIFARE, Felica)	
	Security	1. Optional fingerprint scanner 2. TPM 1.2 3. Kensington cable lock slot	
	Audio	Integrated speakers (2W) Integrated microphone	
	Input	Capacitive multi touch Programmable button x2	Capacitive pen On-screen QWERTY keyboard
	LED	Power LED Battery LED RFID LED	
	I/O	USB 3.0 x2; USB 2.0 x1 HDMI 1.4 x1 SD card slot x1 (SDXC/UHS1/UHS2) Audio combo jack (Line-in/Line-out) x1	DC-in x1 Docking port x1 (32PIN) (USB3.0, USB2.0, PCIE Gen2, Display port) SIM slot x1
	Battery	Main battery: 4S1P 14.4V 2730mAh Hot-Swappable external battery: 4S2P 14.4V 4080mAh With Hot-Swappable external battery up to 11hrs ⁽¹⁾	
	Power Input	19V ± 5%	
	OS	Windows Embedded 8.1 Industry Pro (Default), Windows Embedded 8 Standard (Default), Windows 7 Pro 64bit (By project), Linux Ubuntu (By project) Windows 10 IoT 64 bit (By project)	

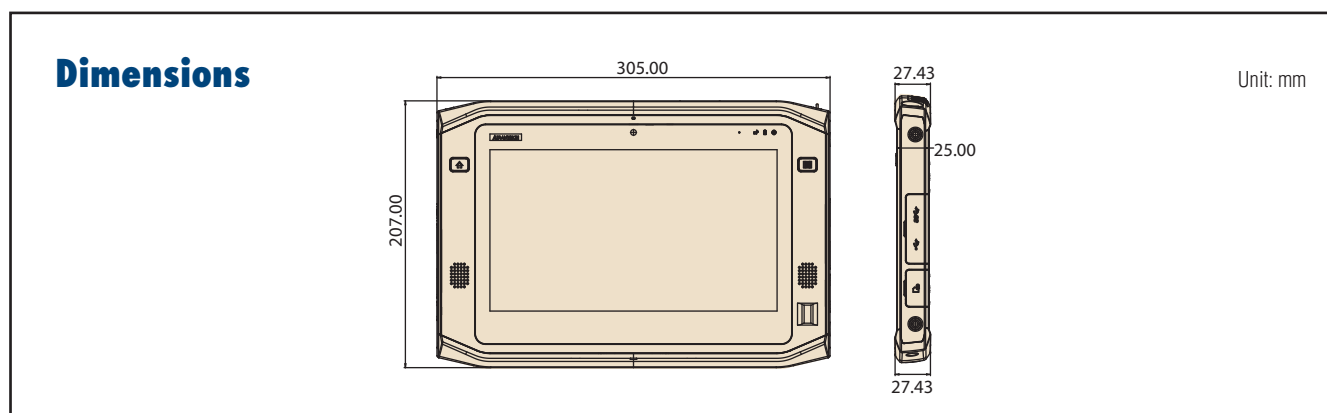
(1) The battery life estimates based on MobileMark 2007 performance. Battery performance will vary by system setting and configuration.

(2) Only Advantech is able to change SSD and Memory.

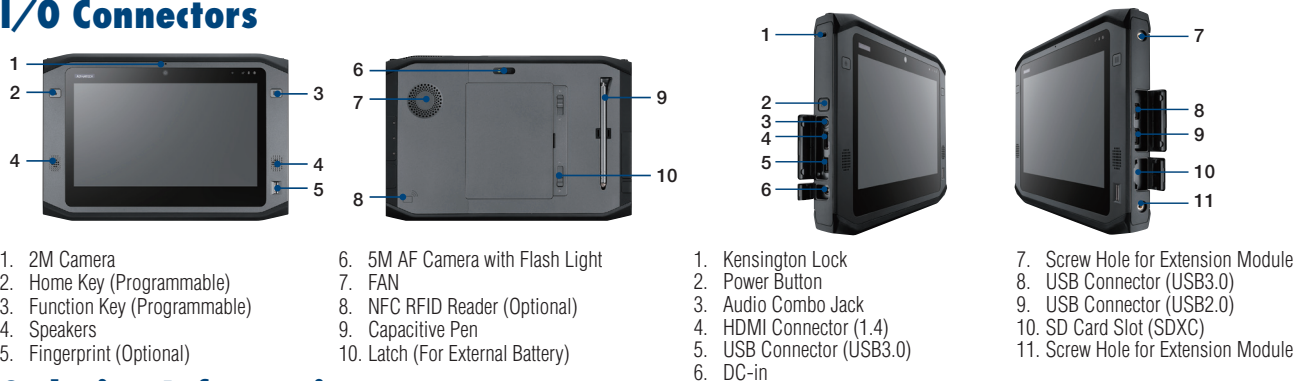
Specifications Cont.

Environment	Temperatue & Humidity	Operating Temperature -20° C ~ 50° C (Charge: 0° C ~ +40° C for the battery protection) Storage Temperature -20 ~ 60° C Operating Humidity 5% ~ 95% @ 40° C
	IP Rating	IP65
	Vibration	MIL-STD-810G
Certifications	EMC/RF	CE/FCC/CCC/PTCRB/SAR
	Safety	UL/CE/CB/CCC
	Peripheral ⁽³⁾	<ul style="list-style-type: none"> ▪ Universal Cover (Handle, stand, hand strap, and shoulder belt) ▪ Extension modules for MSR, UHF RFID, extra IO ports solution ▪ Desk docking station ▪ External battery
Dimension & Weight	Dimensions	305 (L) x 207 (W) x 25-27 (H) mm
	Weight	1.4 kg

(3) For the peripherals' availability, please check with Advantech's sales directly.



I/O Connectors



Ordering Information

Part Number	Configuration												
	CPU	LCD	Memory	Storage	Front/Rear CAM	WiFi	BT	GNSS	4G	OS	Barcode RFID	NFC	FingerPrint
PWS-870-3S6W0E000E	Core i3	Sunlight	DDR3 4GB	SSD 64GB	V	V	V	N/A	N/A	WES 8	N/A	N/A	N/A
PWS-870-3S6W00000E	Core i3	Sunlight	DDR3 4GB	SSD 64GB	V	V	V	N/A	N/A	N/A	N/A	N/A	N/A
PWS-870-3S6G4E5F0E	Core i3	Sunlight	DDR3 4GB	SSD 64GB	V	V	V	V	LTE-US	WES 8	2D	NFC	FingerPrint
PWS-870-3S6G6E5F0E	Core i3	Sunlight	DDR3 4GB	SSD 64GB	V	V	V	V	LTE-EU	WES 8	2D	NFC	FingerPrint
PWS-870-3H6G6E5F0E	Core i3	High Brightness	DDR3 4GB	SSD 64GB	V	V	V	V	LTE-EU	WES 8	2D	NFC	FingerPrint
PWS-870-5S6G4P5F0E	Core i5	Sunlight	DDR3 4GB	SSD 64GB	V	V	V	V	LTE-US	Win8.1 Pro	2D	NFC	FingerPrint
PWS-870-5S6G6P5F0E	Core i5	Sunlight	DDR3 4GB	SSD 64GB	V	V	V	V	LTE-EU	Win8.1 Pro	2D	NFC	FingerPrint
PWS-870-7S6G4P5F0E	Core i7	Sunlight	DDR3 4GB	SSD 64GB	V	V	V	V	LTE-US	Win8.1 Pro	2D	NFC	FingerPrint
PWS-870-7S6G6P5F0E	Core i7	Sunlight	DDR3 4GB	SSD 64GB	V	V	V	V	LTE-EU	Win8.1 Pro	2D	NFC	FingerPrint
PWS-870-7H6G6P5F0E	Core i7	High Brightness	DDR3 4GB	SSD 64GB	V	V	V	V	LTE-EU	Win8.1 Pro	2D	NFC	FingerPrint

Packing List

Part Number	Description
96PSA-A65W19V1-1	65W Adapter *1 pcs
9680015843	Stylus Pen * 1 pcs

Accessories

Accessories for PWS-870 Series



Universal Cover Package



Features

- P/N: PWS-870-UCOVER00E
- Material: Plastic, PVC
- Color: Black
- Dimension: 305 x 254.2 x 88.4 mm
- Weight: 500g (universal cover, hand strap and shoulder belt)
- Package content: universal cover, hand strap, shoulder belt

MSR & Smart Card Reader Extension



Features

- P/N: PWS-870-EXT300E
- Smart Card Reader
 - ISO 7816 PC/SC
 - EMV 4.0 Level 1
 - Supports I2C memory card, SLE4418, SLE4428, SLE4432, SLE4442, SLE4436, SLE5536, SLE6636, AT88SC1608, AT45D041 card
- MSR (Magnetic Card Reader)
 - MagneSafe IntelliHead
 - Supports US 7810 & ISO 7811/AAMVA
 - Card speed: 6 to 60 ips (15.4 to 12.4 cm/s)
 - Triple DES encryption
 - DUKPT key management
- Operating temperature: -20° C ~ 50° C
- Storage temperature: -20° C ~ 60° C
- Dimension: 192.2 x 40.2 x 25 mm
- Weight: 120g

I/O Extension



Features

- P/N: PWS-870-EXT100E
- Interfaces: USB 3.0 (type A, 5V/0.9A) x 1, RS-232 (D-Sub 9) x 2, 10/100/1000 Ethernet (RJ45) x 1
- Operating temperature: -20° C ~ 50° C
- Dimension: 192.2 x 45.2 x 25 mm
- Weight: 140g

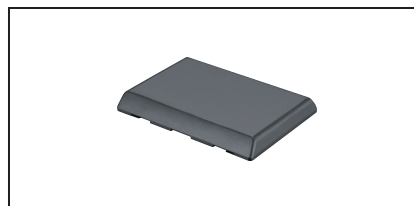
UHF RFID Extension



Features

- P/N: PWS-870-EXT200E (EU) / PWS-870-EXT210E (US)
- RFID output power: 0.063 watt EIRP
- RFID antenna type: Linear Polarization
- Frequency: EU: 865 ~ 868MHz / US: 902 ~ 928MHz
- Tag standard supported: EPC Class 1 Gen 2 / ISO 18000-6C
- Operating temperature: -20° C ~ 50° C
- Maximum output power: +18dBm (Conductive)
- Dimension: 192.2 x 40.2 x 25 mm
- Weight: 110g

External Battery



Features

- P/N: PWS-870-BAT100E
- Capacity: 14.8V 4080mAh
- IP rating: IP65 with PWS-870
- Dimension: 141.2 x 106.2 x 17 mm
- Weight: 385g

Multiple Battery Charger



Features

- P/N: PWS-870-MBC00E
- Store and charge up to 4 PWS-870 external batteries
- Charging time: 4 hr
- LEDs indicate charge status
- Easy to fix on the table by screws
- Power input: 19.5V/7.7A
- Dimension: 214.4 x 229.4 x 60 mm
- Weight: 1.4kg

Accessories

PWS-870 Vehicle Docking Station



Features

- CAN 2.0 A/B (J1939) and OBDII (ISO 15765) support for vehicle diagnosis
- Anti-theft locking mechanism
- External GPS SMA antenna
- Device docking and removal within 1 second
- Ignition control
- Accommodates port replication
- Compliant with MIL-STD-810G and SAE J1455 for vibration and shock tolerance
- E-Mark compliant and supports 12V/24 V vehicle power

Introduction

The PWS-870 high strength composite vehicle docking station is designed to hold the PWS-870 tablet safely and securely. The vehicle docking station comes with a locking mechanism for theft deterrence. It offers complete port replication for users accessing audio jacks, USB, RS-232, DI, DO, LAN, and GPS SMA connector. One of the most important and unique design features is it has CAN bus support for vehicle communication. It's a perfect solution for police car, fire bridge, ambulance, forklift, and different kinds of transportation applications.

Product Specifications

Function	Item	Description
IO connectors	HDC	1 x HDC connector
	HDC IO ports	1 RS-232, 1x CAN 2.0 A/B (support J1939); OBDII (support ISO 15765) protocol, 1 x Line-in & 1 x Line-out, 2 x DI & 2 x DO
		USB
	Ethernet	1 x 100/1000 LAN port (M12)
	SMA for GPS	1 for external GPS Antenna
	DC in	1 x Power Jack (M12) 19V ± 5% (pair with a car adapter: PWS-770-CAD1200E, PWS-770-CAD2400E, PWS-770-CADAP00E. b. DC-in(M12) to adapter cable: 1700021797-01)
Environment	IP Rating	IP54 (with tablet docked and all cables connected)
	Operating Temperature	-20° C ~ 50° C (Charge: 0° C ~ 40° C) with tablet
	Storage Temperature	-40° C ~ 85° C
	Vibration/Shock	MIL-STD-810G, Method 514.5; SAE J1455
	EMC	CE, FCC
	Safety	UL, CB
	Vehicle-related	E-Mark (E13) (pair with PWS-770-CAD1200E, PWS-770-CAD2400E)
Mounting	Mounting Way	VESA (75 x 75 mm)
Weight		950g
Dimension		240.5 x 280.9 x 95.4 mm

Ordering Information

Part Number	Description
PWS-870-VCRADLE00E	PWS-870 Vehicle docking station, with LAN Cable M12(M) cable 8P/RJ45(F) (5cm)
PWS-870-VCRADLE01E	PWS-870 Charge only Vehicle docking station
PWS-870-VMOUNT00E	PWS-870 Vehicle docking station without i/o ports
PWS-770-CADAP00E*	PWS-770/PWS-870 Car Adapter DC to DC 10-32V 90W (120cm) to Cigar Lighter; M12 Plug
PWS-770-CAD1200E*	PWS-770/PWS-870 Car Adapter DC to DC 10-32V 90W with 12V Relay (120cm); M12 Plug
PWS-770-CAD2400E*	PWS-770/PWS-870 Car Adapter DC to DC 10-32V 90W with 24V Relay (120cm); M12 Plug
1700021797-01	M12 plug to DC-in cable (10cm) Note: Connect from PWS-770/PWS-870 Vehicle docking DC-in (M12) to Power adapter Jack (96PSA-A65W19V1-1)
PWS-870-CHDC00E	PWS-870 Vehicle docking HDC Cable RS232 x1; CAN2.0 x1; DIx2; DOx2; Line-in x1; Line-out x1 (200cm)
PWS-770-GPSAN00E	GPS antenna 5.5V 22mA (500cm)
RAM-MOUNT-06E	5.625" double socket arm for 1.5" ball base, 3.625" VESA base at both sockets
RAM-MOUNT-07E	5.625" double socket arm for 1.5" ball base, One side is 3.625" VESA base, on the other side, the socket with flat 2.5" diameter base AMP'S hole pattern
PWS-870-VDOCK-CBE	Vehicle docking starter cable kit (power cable, HDC cable & GPS antenna)

Note:

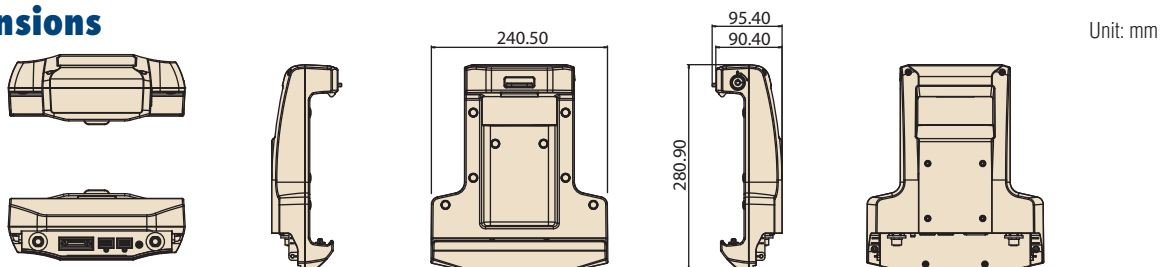
1. PWS-870 Vehicle Docking packages include LAN Cable for M12 to RJ45 connector. The car adapter is optional. Do not attempt to connect Car adapter M12 plug to PWS-870 tablet DC-in
2. For first time purchase, we strongly recommend to purchase starter cable kit & power adapter (select suitable power adapter from the there adapters marked with*) for evaluation

Bottom view IO ports



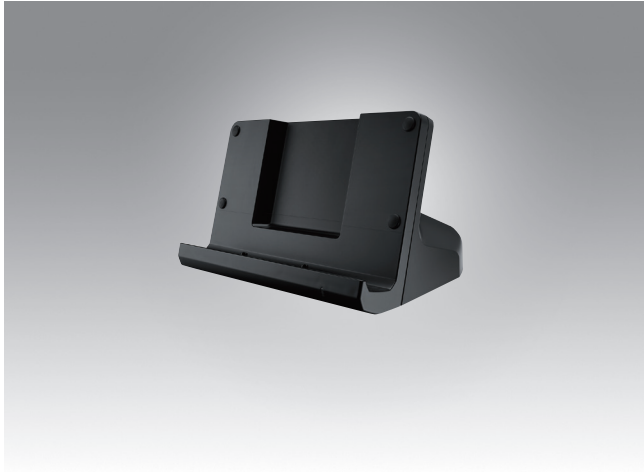
1. 1 x LAN 100/1000 (M12)
2. 1 x GPS SMA
3. 2 x USB 3.0 (locking type)
4. 1 x HDC: RS232 x1; CAN2.0 x1; DIx2; DOx2; Line-in x1; Line-out x1
5. 1 x DC-in (M12)

Dimensions



Accessories

PWS-870 Desk Docking Station



Features

- Offers complete port replication for PWS-870
- Operating temperature -20° C ~ 50° C

Introduction

The desk docking station is designed to dock PWS-870 tablet when you are at your home or on your office desk. When docked, you can charge both the internal and external batteries or transfer data from your tablet PC to another PC.

Product Specifications

Feature	Description
Product Name	PWS-870 Desk Docking Station
External I/O Interfaces	One LAN port (10/100/1000) One VGA port One RS-232 Two USB 3.0 host connectors One DC-in (19 V +- 5%)
Environment	Operating Temperature -20° C ~ 50° C Storage Temperature -20° C ~ 60° C Operating Humidity 5% ~ 95%
Certifications	CE, FCC, UL, CB
Physical Size	223.8 x 146.7 x 128.5 mm
Weight	820g



No.	Component	Function
1	LAN port	Connect an RJ-45 cable to access LAN connection
2	VGA port	Connect a VGA port to connect to another monitor
3	Serial port	Connect a serial cable to connect to another PC
4	USB ports	Connect USB connectors to transfer data
5	DC-IN	Connect the AC adapter to charge the battery

Note: In order to prevent the damage to both PWS-870 and the desk docking station, please do not attempt to use with other tablets.

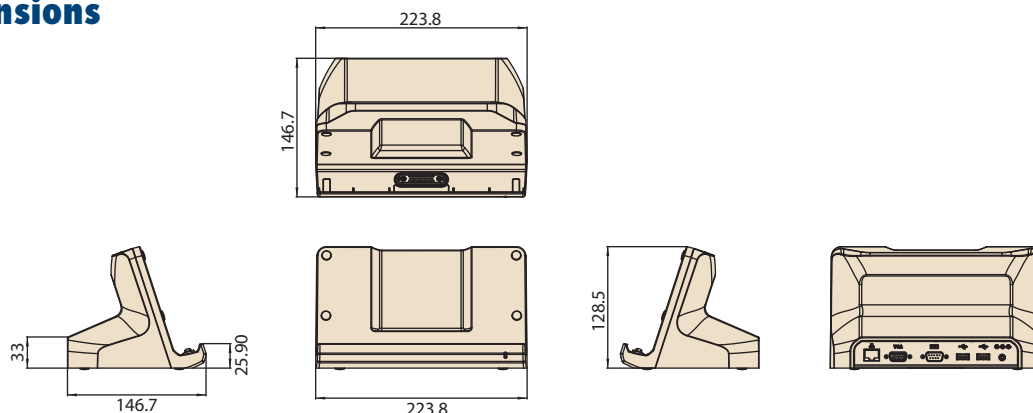
Ordering information

Part Number	Description
PWS-870-CRADLE00E	PWS-870 Desk Docking Station

Note: The package does not include power adapter. Please use PWS-870 tablet's power adapter directly.

Dimensions

Unit: mm



PWS-870

10" Industrial Tablet with 4th Generation Intel® Core™ i Processor



Features

- MIL-STD-810G and IP65 certified, can withstand drops of up to 4ft.
- 10.1" HD high-brightness, multi-touch, Gorilla Glass panel with digitizer
- 4th generation Intel® Core™ i processor supports Windows 8
- Built-in 4G LTE, WLAN (802.11 a/b/g/n/ac), BT4.0, and GPS modules with Beidou/GLONASS support
- Hot-swappable battery provides up to 11 hours operation⁽¹⁾
- Built-in dual cameras, 1D/2D barcode scanner, and NFC RFID
- Rich peripherals with vehicle docking station, desk docking station, and extension module support



Introduction

The PWS-870 is a fully rugged mobile tablet featuring a 10.1" HD resolution capacitive Multi Touch panel, an Intel Core i processor, mSATA SATA3 SSD storage, USB 3.0 and HDMI communication IO ports. For communication it comes with 802.11 a/b/g/n/ac WiFi, Bluetooth, GPS, and 4G LTE. One of the most important unique design features is its built-in data collection features: 2M/5M dual cameras, 1D/2D barcode reader, and NFC RFID reader. To mobile field workers, hot-swappable external battery for long-lasting support allows the system to operate for up to 11 hours at a time. The fully-rugged design (MIL-STD-810G, IP65 dust & water resistant and 4-foot drop) allows PWS-870 to perform in harsh environments. With sunlight readable display, PWS-870 is a perfect device for outdoor work.

Specifications

Motherboard	CPU & Chipset	Intel® Core™ i3 Processor 1.7 GHz 4010U Intel® Core™ i5 Processor 1.9 GHz 4300U with Turbo Boost to 2.9GHz Intel® Core™ i7 Processor 1.7 GHz 4650U with Turbo Boost to 3.3 GHz	
	Memory	SO-DIMM DDR3L 1600 MHz up to 8 GB ⁽²⁾	
	Storage	Support mSATA SATAIII SSD 64 GB ~ 256 GB ⁽²⁾	
Display & Touchscreen	Display	10.1" HD (1366x768) Low reflection LED Backlight LCD (400 nits default; 950 nits by project)	
	Touch Panel	Capacitive multi touch Sunlight readable feature Display with Corning® Gorilla® Glass Gen3	
	Sensor	Ambient light, Accelerometer (G-Sensor), E-compass, Gyroscope Sensor - Screen Rotation: 0°, 90°, 270°	
System	WLAN+Bluetooth	IEEE 802.11 a/b/g/n/ac+ Blueooth V4.0(class2)+EDR	
	WWAN	Integrated 4G (LTE,HSPA+, GSM/GPRS/EDGE) MC7305 for EU B1/B3/B7/B8/B20 MC7355 for US B2/B4/B5/B13/B17/B25	
	GNSS	Dedicated GPS, Beidou and Glonass	
	Camera	Front Camera: 2M pixel CMOS sensor; supports video streaming Rear Camera: 5M pixel CMOS sensor; with LED flash light and auto focus control	
	Data Collection	Optional built-in 1D barcode scanner (Honeywell N4313) Optional built-in 2D barcode scanner (Honeywell N5600) Optional built-in NFC RFID reader (13.56MHz, supports ISO14443A/B, ISO15693, MIFARE, Felica)	
	Security	1. Optional fingerprint scanner 2. TPM 1.2 3. Kensington cable lock slot	
	Audio	Integrated speakers (2W) Integrated microphone	
	Input	Capacitive multi touch Programmable button x2	Capacitive pen On-screen QWERTY keyboard
	LED	Power LED Battery LED RFID LED	
	I/O	USB 3.0 x2; USB 2.0 x1 HDMI 1.4 x1 SD card slot x1 (SDXC/UHS1/UHS2) Audio combo jack (Line-in/Line-out) x1	DC-in x1 Docking port x1 (32PIN) (USB3.0, USB2.0, PCIE Gen2, Display port) SIM slot x1
	Battery	Main battery: 4S1P 14.4V 2730mAh Hot-Swappable external battery: 4S2P 14.4V 4080mAh With Hot-Swappable external battery up to 11hrs ⁽¹⁾	
	Power Input	19V ± 5%	
	OS	Windows Embedded 8.1 Industry Pro (Default), Windows Embedded 8 Standard (Default), Windows 7 Pro 64bit (By project), Linux Ubuntu (By project) Windows 10 IoT 64 bit (By project)	

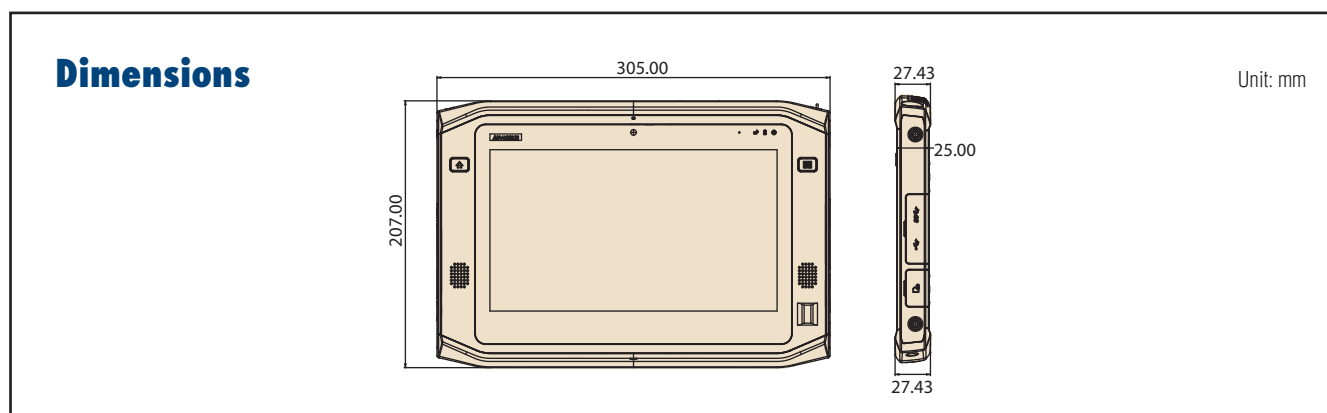
(1) The battery life estimates based on MobileMark 2007 performance. Battery performance will vary by system setting and configuration.

(2) Only Advantech is able to change SSD and Memory.

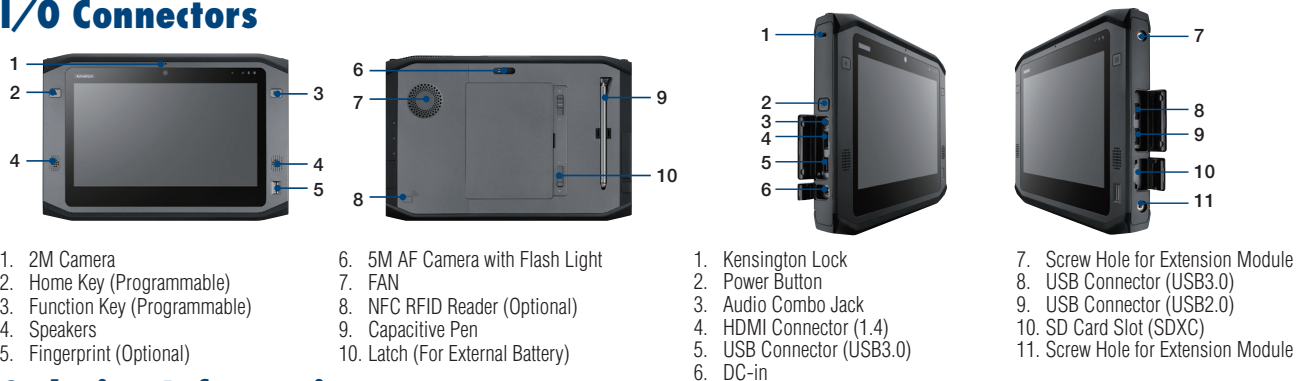
Specifications Cont.

Environment	Temperatue & Humidity	Operating Temperature -20° C ~ 50° C (Charge: 0° C ~ +40° C for the battery protection) Storage Temperature -20 ~ 60° C Operating Humidity 5% ~ 95% @ 40° C
	IP Rating	IP65
	Vibration	MIL-STD-810G
Certifications	EMC/RF	CE/FCC/CCC/PTCRB/SAR
	Safety	UL/CE/CB/CCC
	Peripheral ⁽³⁾	<ul style="list-style-type: none"> ▪ Universal Cover (Handle, stand, hand strap, and shoulder belt) ▪ Extension modules for MSR, UHF RFID, extra IO ports solution ▪ Desk docking station ▪ External battery
Dimension & Weight	Dimensions	305 (L) x 207 (W) x 25~27 (H) mm
	Weight	1.4 kg

(3) For the peripherals' availability, please check with Advantech's sales directly.



I/O Connectors



Ordering Information

Part Number	Configuration												
	CPU	LCD	Memory	Storage	Front/Rear CAM	WiFi	BT	GNSS	4G	OS	Barcode RFID	NFC	FingerPrint
PWS-870-3S6W0E000E	Core i3	Sunlight	DDR3 4GB	SSD 64GB	V	V	V	N/A	N/A	WES 8	N/A	N/A	N/A
PWS-870-3S6W00000E	Core i3	Sunlight	DDR3 4GB	SSD 64GB	V	V	V	N/A	N/A	N/A	N/A	N/A	N/A
PWS-870-3S6G4E5F0E	Core i3	Sunlight	DDR3 4GB	SSD 64GB	V	V	V	V	LTE-US	WES 8	2D	NFC	FingerPrint
PWS-870-3S6G6E5F0E	Core i3	Sunlight	DDR3 4GB	SSD 64GB	V	V	V	V	LTE-EU	WES 8	2D	NFC	FingerPrint
PWS-870-3H6G6E5F0E	Core i3	High Brightness	DDR3 4GB	SSD 64GB	V	V	V	V	LTE-EU	WES 8	2D	NFC	FingerPrint
PWS-870-5S6G4P5F0E	Core i5	Sunlight	DDR3 4GB	SSD 64GB	V	V	V	V	LTE-US	Win8.1 Pro	2D	NFC	FingerPrint
PWS-870-5S6G6P5F0E	Core i5	Sunlight	DDR3 4GB	SSD 64GB	V	V	V	V	LTE-EU	Win8.1 Pro	2D	NFC	FingerPrint
PWS-870-7S6G4P5F0E	Core i7	Sunlight	DDR3 4GB	SSD 64GB	V	V	V	V	LTE-US	Win8.1 Pro	2D	NFC	FingerPrint
PWS-870-7S6G6P5F0E	Core i7	Sunlight	DDR3 4GB	SSD 64GB	V	V	V	V	LTE-EU	Win8.1 Pro	2D	NFC	FingerPrint
PWS-870-7H6G6P5F0E	Core i7	High Brightness	DDR3 4GB	SSD 64GB	V	V	V	V	LTE-EU	Win8.1 Pro	2D	NFC	FingerPrint

Packing List

Part Number	Description
96PSA-A65W19V1-1	65W Adapter *1 pcs
9680015843	Stylus Pen * 1 pcs

Accessories

Accessories for PWS-870 Series



Universal Cover Package



Features

- P/N: PWS-870-UCOVER00E
- Material: Plastic, PVC
- Color: Black
- Dimension: 305 x 254.2 x 88.4 mm
- Weight: 500g (universal cover, hand strap and shoulder belt)
- Package content: universal cover, hand strap, shoulder belt

MSR & Smart Card Reader Extension



Features

- P/N: PWS-870-EXT300E
- Smart Card Reader
 - ISO 7816 PC/SC
 - EMV 4.0 Level 1
 - Supports I2C memory card, SLE4418, SLE4428, SLE4432, SLE4442, SLE4436, SLE5536, SLE6636, AT88SC1608, AT45D041 card
- MSR (Magnetic Card Reader)
 - MagneSafe IntelliHead
 - Supports US 7810 & ISO 7811/AAMVA
 - Card speed: 6 to 60 ips (15.4 to 12.4 cm/s)
 - Triple DES encryption
 - DUKPT key management
- Operating temperature: -20° C ~ 50° C
- Storage temperature: -20° C ~ 60° C
- Dimension: 192.2 x 40.2 x 25 mm
- Weight: 120g

I/O Extension



Features

- P/N: PWS-870-EXT100E
- Interfaces: USB 3.0 (type A, 5V/0.9A) x 1, RS-232 (D-Sub 9) x 2, 10/100/1000 Ethernet (RJ45) x 1
- Operating temperature: -20° C ~ 50° C
- Dimension: 192.2 x 45.2 x 25 mm
- Weight: 140g

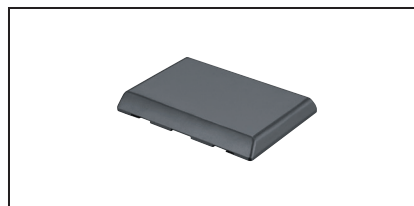
UHF RFID Extension



Features

- P/N: PWS-870-EXT200E (EU) / PWS-870-EXT210E (US)
- RFID output power: 0.063 watt EIRP
- RFID antenna type: Linear Polarization
- Frequency: EU: 865 ~ 868MHz / US: 902 ~ 928MHz
- Tag standard supported: EPC Class 1 Gen 2 / ISO 18000-6C
- Operating temperature: -20° C ~ 50° C
- Maximum output power: +18dBm (Conductive)
- Dimension: 192.2 x 40.2 x 25 mm
- Weight: 110g

External Battery



Features

- P/N: PWS-870-BAT100E
- Capacity: 14.8V 4080mAh
- IP rating: IP65 with PWS-870
- Dimension: 141.2 x 106.2 x 17 mm
- Weight: 385g

Multiple Battery Charger



Features

- P/N: PWS-870-MBC00E
- Store and charge up to 4 PWS-870 external batteries
- Charging time: 4 hr
- LEDs indicate charge status
- Easy to fix on the table by screws
- Power input: 19.5V/7.7A
- Dimension: 214.4 x 229.4 x 60 mm
- Weight: 1.4kg

Accessories

PWS-870 Vehicle Docking Station



Features

- CAN 2.0 A/B (J1939) and OBDII (ISO 15765) support for vehicle diagnosis
- Anti-theft locking mechanism
- External GPS SMA antenna
- Device docking and removal within 1 second
- Ignition control
- Accommodates port replication
- Compliant with MIL-STD-810G and SAE J1455 for vibration and shock tolerance
- E-Mark compliant and supports 12V/24 V vehicle power

Introduction

The PWS-870 high strength composite vehicle docking station is designed to hold the PWS-870 tablet safely and securely. The vehicle docking station comes with a locking mechanism for theft deterrence. It offers complete port replication for users accessing audio jacks, USB, RS-232, DI, DO, LAN, and GPS SMA connector. One of the most important and unique design features is it has CAN bus support for vehicle communication. It's a perfect solution for police car, fire bridge, ambulance, forklift, and different kinds of transportation applications.

Product Specifications

Function	Item	Description
IO connectors	HDC	1 x HDC connector
	HDC IO ports	1 RS-232, 1x CAN 2.0 A/B (support J1939); OBDII (support ISO 15765) protocol, 1 x Line-in & 1 x Line-out, 2 x DI & 2 x DO
		USB
	Ethernet	1 x 100/1000 LAN port (M12)
	SMA for GPS	1 for external GPS Antenna
	DC in	1 x Power Jack (M12) 19V ± 5% (pair with a car adapter: PWS-770-CAD1200E, PWS-770-CAD2400E, PWS-770-CADAP00E. b. DC-in(M12) to adapter cable: 1700021797-01)
Environment	IP Rating	IP54 (with tablet docked and all cables connected)
	Operating Temperature	-20° C ~ 50° C (Charge: 0° C ~ 40° C) with tablet
	Storage Temperature	-40° C ~ 85° C
	Vibration/Shock	MIL-STD-810G, Method 514.5; SAE J1455
	EMC	CE, FCC
	Safety	UL, CB
	Vehicle-related	E-Mark (E13) (pair with PWS-770-CAD1200E, PWS-770-CAD2400E)
Mounting	Mounting Way	VESA (75 x 75 mm)
Weight		950g
Dimension		240.5 x 280.9 x 95.4 mm

Ordering Information

Part Number	Description
PWS-870-VCRADLE00E	PWS-870 Vehicle docking station, with LAN Cable M12(M) cable 8P/RJ45(F) (5cm)
PWS-870-VCRADLE01E	PWS-870 Charge only Vehicle docking station
PWS-870-VMOUNT00E	PWS-870 Vehicle docking station without i/o ports
PWS-770-CADAP00E*	PWS-770/PWS-870 Car Adapter DC to DC 10-32V 90W (120cm) to Cigar Lighter; M12 Plug
PWS-770-CAD1200E*	PWS-770/PWS-870 Car Adapter DC to DC 10-32V 90W with 12V Relay (120cm); M12 Plug
PWS-770-CAD2400E*	PWS-770/PWS-870 Car Adapter DC to DC 10-32V 90W with 24V Relay (120cm); M12 Plug
1700021797-01	M12 plug to DC-in cable (10cm) Note: Connect from PWS-770/PWS-870 Vehicle docking DC-in (M12) to Power adapter Jack (96PSA-A65W19V1-1)
PWS-870-CHDC00E	PWS-870 Vehicle docking HDC Cable RS232 x1; CAN2.0 x1; DIx2; DOx2; Line-in x1; Line-out x1 (200cm)
PWS-770-GPSAN00E	GPS antenna 5.5V 22mA (500cm)
RAM-MOUNT-06E	5.625" double socket arm for 1.5" ball base, 3.625" VESA base at both sockets
RAM-MOUNT-07E	5.625" double socket arm for 1.5" ball base, One side is 3.625" VESA base, on the other side, the socket with flat 2.5" diameter base AMP'S hole pattern
PWS-870-VDOCK-CBE	Vehicle docking starter cable kit (power cable, HDC cable & GPS antenna)

Note:

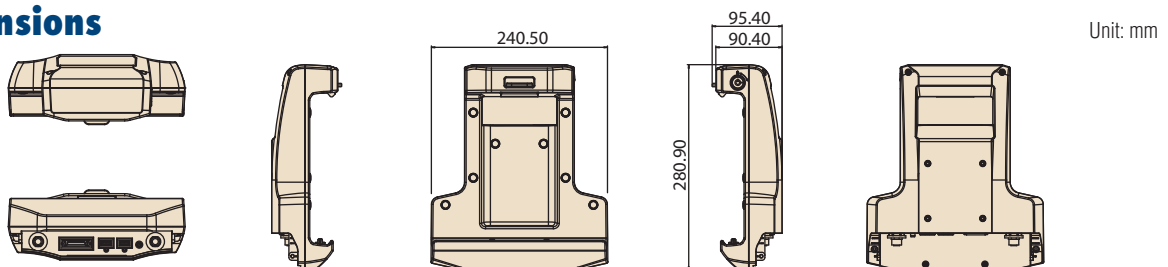
1. PWS-870 Vehicle Docking packages include LAN Cable for M12 to RJ45 connector. The car adapter is optional. Do not attempt to connect Car adapter M12 plug to PWS-870 tablet DC-in
2. For first time purchase, we strongly recommend to purchase starter cable kit & power adapter (select suitable power adapter from the there adapters marked with*) for evaluation

Bottom view IO ports



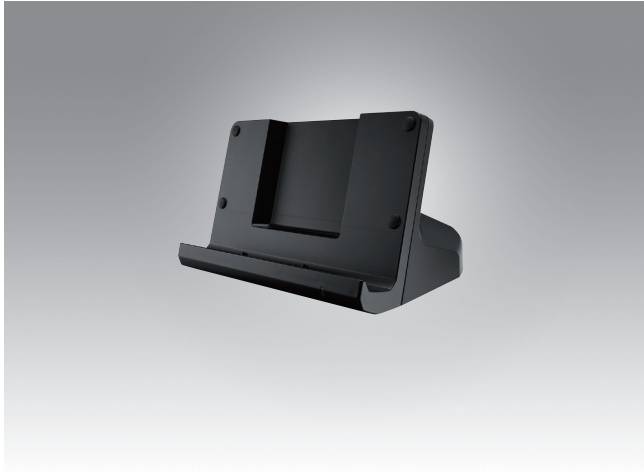
1. 1 x LAN 100/1000 (M12)
2. 1 x GPS SMA
3. 2 x USB 3.0 (locking type)
4. 1 x HDC: RS232 x1; CAN2.0 x1; DIx2; DOx2; Line-in x1; Line-out x1
5. 1 x DC-in (M12)

Dimensions



Accessories

PWS-870 Desk Docking Station



Features

- Offers complete port replication for PWS-870
- Operating temperature -20° C ~ 50° C

Introduction

The desk docking station is designed to dock PWS-870 tablet when you are at your home or on your office desk. When docked, you can charge both the internal and external batteries or transfer data from your tablet PC to another PC.

Product Specifications

Feature	Description
Product Name	PWS-870 Desk Docking Station
External I/O Interfaces	One LAN port (10/100/1000) One VGA port One RS-232 Two USB 3.0 host connectors One DC-in (19 V +- 5%)
Environment	Operating Temperature -20° C ~ 50° C Storage Temperature -20° C ~ 60° C Operating Humidity 5% ~ 95%
Certifications	CE, FCC, UL, CB
Physical Size	223.8 x 146.7 x 128.5 mm
Weight	820g



No.	Component	Function
1	LAN port	Connect an RJ-45 cable to access LAN connection
2	VGA port	Connect a VGA port to connect to another monitor
3	Serial port	Connect a serial cable to connect to another PC
4	USB ports	Connect USB connectors to transfer data
5	DC-IN	Connect the AC adapter to charge the battery

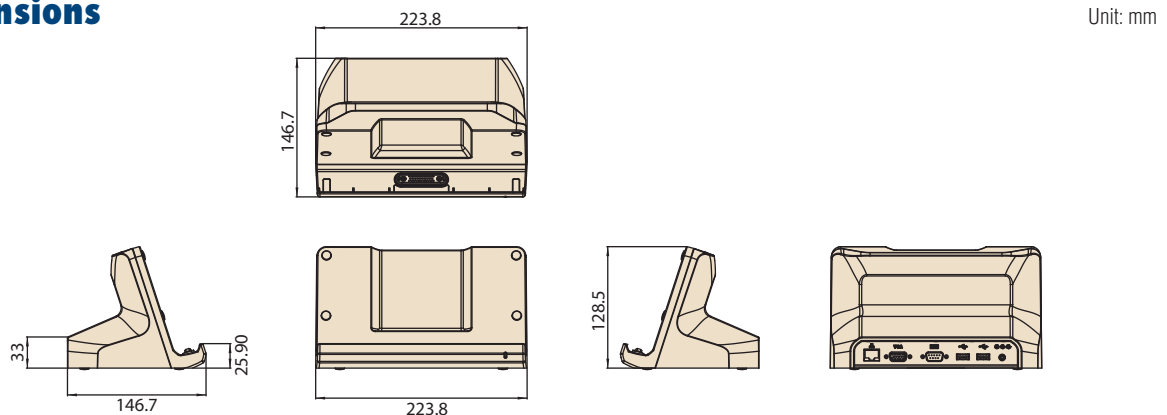
Note: In order to prevent the damage to both PWS-870 and the desk docking station, please do not attempt to use with other tablets.

Ordering information

Part Number	Description
PWS-870-CRADLE00E	PWS-870 Desk Docking Station

Note: The package does not include power adapter. Please use PWS-870 tablet's power adapter directly.

Dimensions



PWS-870

10" Industrial Tablet with 4th Generation Intel® Core™ i Processor



Features

- MIL-STD-810G and IP65 certified, can withstand drops of up to 4ft.
- 10.1" HD high-brightness, multi-touch, Gorilla Glass panel with digitizer
- 4th generation Intel® Core™ i processor supports Windows 8
- Built-in 4G LTE, WLAN (802.11 a/b/g/n/ac), BT4.0, and GPS modules with Beidou/GLONASS support
- Hot-swappable battery provides up to 11 hours operation⁽¹⁾
- Built-in dual cameras, 1D/2D barcode scanner, and NFC RFID
- Rich peripherals with vehicle docking station, desk docking station, and extension module support



Introduction

The PWS-870 is a fully rugged mobile tablet featuring a 10.1" HD resolution capacitive Multi Touch panel, an Intel Core i processor, mSATA SATA3 SSD storage, USB 3.0 and HDMI communication IO ports. For communication it comes with 802.11 a/b/g/n/ac WiFi, Bluetooth, GPS, and 4G LTE. One of the most important unique design features is its built-in data collection features: 2M/5M dual cameras, 1D/2D barcode reader, and NFC RFID reader. To mobile field workers, hot-swappable external battery for long-lasting support allows the system to operate for up to 11 hours at a time. The fully-rugged design (MIL-STD-810G, IP65 dust & water resistant and 4-foot drop) allows PWS-870 to perform in harsh environments. With sunlight readable display, PWS-870 is a perfect device for outdoor work.

Specifications

Motherboard	CPU & Chipset	Intel® Core™ i3 Processor 1.7 GHz 4010U Intel® Core™ i5 Processor 1.9 GHz 4300U with Turbo Boost to 2.9GHz Intel® Core™ i7 Processor 1.7 GHz 4650U with Turbo Boost to 3.3 GHz	
	Memory	SO-DIMM DDR3L 1600 MHz up to 8 GB ⁽²⁾	
	Storage	Support mSATA SATAIII SSD 64 GB ~ 256 GB ⁽²⁾	
Display & Touchscreen	Display	10.1" HD (1366x768) Low reflection LED Backlight LCD (400 nits default; 950 nits by project)	
	Touch Panel	Capacitive multi touch Sunlight readable feature Display with Corning® Gorilla® Glass Gen3	
	Sensor	Ambient light, Accelerometer (G-Sensor), E-compass, Gyroscope Sensor - Screen Rotation: 0°, 90°, 270°	
System	WLAN+Bluetooth	IEEE 802.11 a/b/g/n/ac+ Blueooth V4.0(class2)+EDR	
	WWAN	Integrated 4G (LTE,HSPA+, GSM/GPRS/EDGE) MC7305 for EU B1/B3/B7/B8/B20 MC7355 for US B2/B4/B5/B13/B17/B25	
	GNSS	Dedicated GPS, Beidou and Glonass	
	Camera	Front Camera: 2M pixel CMOS sensor; supports video streaming Rear Camera: 5M pixel CMOS sensor; with LED flash light and auto focus control	
	Data Collection	Optional built-in 1D barcode scanner (Honeywell N4313) Optional built-in 2D barcode scanner (Honeywell N5600) Optional built-in NFC RFID reader (13.56MHz, supports ISO14443A/B, ISO15693, MIFARE, Felica)	
	Security	1. Optional fingerprint scanner 2. TPM 1.2 3. Kensington cable lock slot	
	Audio	Integrated speakers (2W) Integrated microphone	
	Input	Capacitive multi touch Programmable button x2	Capacitive pen On-screen QWERTY keyboard
	LED	Power LED Battery LED RFID LED	
	I/O	USB 3.0 x2; USB 2.0 x1 HDMI 1.4 x1 SD card slot x1 (SDXC/UHS1/UHS2) Audio combo jack (Line-in/Line-out) x1	DC-in x1 Docking port x1 (32PIN) (USB3.0, USB2.0, PCIE Gen2, Display port) SIM slot x1
	Battery	Main battery: 4S1P 14.4V 2730mAh Hot-Swappable external battery: 4S2P 14.4V 4080mAh With Hot-Swappable external battery up to 11hrs ⁽¹⁾	
	Power Input	19V ± 5%	
	OS	Windows Embedded 8.1 Industry Pro (Default), Windows Embedded 8 Standard (Default), Windows 7 Pro 64bit (By project), Linux Ubuntu (By project) Windows 10 IoT 64 bit (By project)	

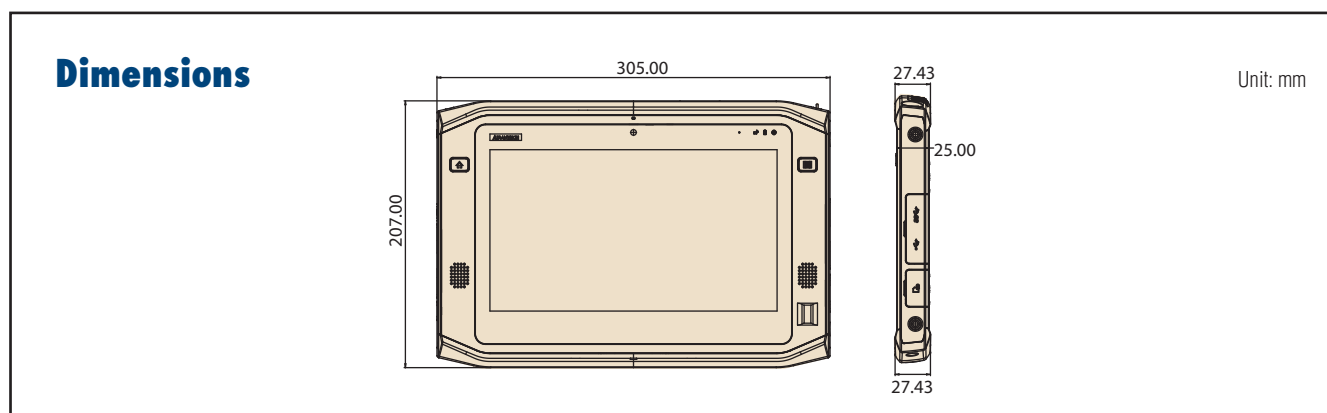
(1) The battery life estimates based on MobileMark 2007 performance. Battery performance will vary by system setting and configuration.

(2) Only Advantech is able to change SSD and Memory.

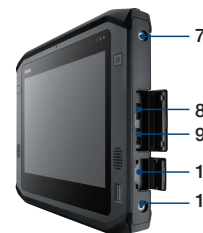
Specifications Cont.

Environment	Temperatue & Humidity	Operating Temperature -20° C ~ 50° C (Charge: 0° C ~ +40° C for the battery protection) Storage Temperature -20 ~ 60° C Operating Humidity 5% ~ 95% @ 40° C
	IP Rating	IP65
	Vibration	MIL-STD-810G
Certifications	EMC/RF	CE/FCC/CCC/PTCRB/SAR
	Safety	UL/CE/CB/CCC
	Peripheral ⁽³⁾	<ul style="list-style-type: none"> ▪ Universal Cover (Handle, stand, hand strap, and shoulder belt) ▪ Extension modules for MSR, UHF RFID, extra IO ports solution ▪ Desk docking station ▪ External battery
Dimension & Weight	Dimensions	305 (L) x 207 (W) x 25-27 (H) mm
	Weight	1.4 kg

(3) For the peripherals' availability, please check with Advantech's sales directly.



I/O Connectors



1. 2M Camera
2. Home Key (Programmable)
3. Function Key (Programmable)
4. Speakers
5. Fingerprint (Optional)

6. 5M AF Camera with Flash Light
7. FAN
8. NFC RFID Reader (Optional)
9. Capacitive Pen
10. Latch (For External Battery)

1. Kensington Lock
2. Power Button
3. Audio Combo Jack
4. HDMI Connector (1.4)
5. USB Connector (USB3.0)
6. DC-in

7. Screw Hole for Extension Module
8. USB Connector (USB3.0)
9. USB Connector (USB2.0)
10. SD Card Slot (SDXC)
11. Screw Hole for Extension Module

Ordering Information

Part Number	Configuration												
	CPU	LCD	Memory	Storage	Front/Rear CAM	WiFi	BT	GNSS	4G	OS	Barcode RFID	NFC	FingerPrint
PWS-870-3S6W0E000E	Core i3	Sunlight	DDR3 4GB	SSD 64GB	V	V	V	N/A	N/A	WES 8	N/A	N/A	N/A
PWS-870-3S6W00000E	Core i3	Sunlight	DDR3 4GB	SSD 64GB	V	V	V	N/A	N/A	N/A	N/A	N/A	N/A
PWS-870-3S6G4E5F0E	Core i3	Sunlight	DDR3 4GB	SSD 64GB	V	V	V	V	LTE-US	WES 8	2D	NFC	FingerPrint
PWS-870-3S6G6E5F0E	Core i3	Sunlight	DDR3 4GB	SSD 64GB	V	V	V	V	LTE-EU	WES 8	2D	NFC	FingerPrint
PWS-870-3H6G6E5F0E	Core i3	High Brightness	DDR3 4GB	SSD 64GB	V	V	V	V	LTE-EU	WES 8	2D	NFC	FingerPrint
PWS-870-5S6G4P5F0E	Core i5	Sunlight	DDR3 4GB	SSD 64GB	V	V	V	V	LTE-US	Win8.1 Pro	2D	NFC	FingerPrint
PWS-870-5S6G6P5F0E	Core i5	Sunlight	DDR3 4GB	SSD 64GB	V	V	V	V	LTE-EU	Win8.1 Pro	2D	NFC	FingerPrint
PWS-870-7S6G4P5F0E	Core i7	Sunlight	DDR3 4GB	SSD 64GB	V	V	V	V	LTE-US	Win8.1 Pro	2D	NFC	FingerPrint
PWS-870-7S6G6P5F0E	Core i7	Sunlight	DDR3 4GB	SSD 64GB	V	V	V	V	LTE-EU	Win8.1 Pro	2D	NFC	FingerPrint
PWS-870-7H6G6P5F0E	Core i7	High Brightness	DDR3 4GB	SSD 64GB	V	V	V	V	LTE-EU	Win8.1 Pro	2D	NFC	FingerPrint

Packing List

Part Number	Description
96PSA-A65W19V1-1	65W Adapter *1 pcs
9680015843	Stylus Pen * 1 pcs

Accessories

Accessories for PWS-870 Series



Universal Cover Package



Features

- P/N: PWS-870-UCOVER00E
- Material: Plastic, PVC
- Color: Black
- Dimension: 305 x 254.2 x 88.4 mm
- Weight: 500g (universal cover, hand strap and shoulder belt)
- Package content: universal cover, hand strap, shoulder belt

MSR & Smart Card Reader Extension



Features

- P/N: PWS-870-EXT300E
- Smart Card Reader
 - ISO 7816 PC/SC
 - EMV 4.0 Level 1
 - Supports I2C memory card, SLE4418, SLE4428, SLE4432, SLE4442, SLE4436, SLE5536, SLE6636, AT88SC1608, AT45D041 card
- MSR (Magnetic Card Reader)
 - MagneSafe IntelliHead
 - Supports US 7810 & ISO 7811/AAMVA
 - Card speed: 6 to 60 ips (15.4 to 12.4 cm/s)
 - Triple DES encryption
 - DUKPT key management
- Operating temperature: -20° C ~ 50° C
- Storage temperature: -20° C ~ 60° C
- Dimension: 192.2 x 40.2 x 25 mm
- Weight: 120g

I/O Extension



Features

- P/N: PWS-870-EXT100E
- Interfaces: USB 3.0 (type A, 5V/0.9A) x 1, RS-232 (D-Sub 9) x 2, 10/100/1000 Ethernet (RJ45) x 1
- Operating temperature: -20° C ~ 50° C
- Dimension: 192.2 x 45.2 x 25 mm
- Weight: 140g

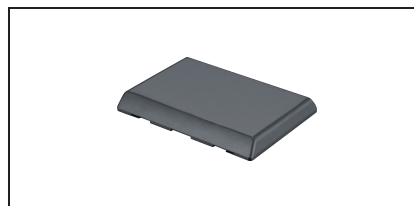
UHF RFID Extension



Features

- P/N: PWS-870-EXT200E (EU) / PWS-870-EXT210E (US)
- RFID output power: 0.063 watt EIRP
- RFID antenna type: Linear Polarization
- Frequency: EU: 865 ~ 868MHz / US: 902 ~ 928MHz
- Tag standard supported: EPC Class 1 Gen 2 / ISO 18000-6C
- Operating temperature: -20° C ~ 50° C
- Maximum output power: +18dBm (Conductive)
- Dimension: 192.2 x 40.2 x 25 mm
- Weight: 110g

External Battery



Features

- P/N: PWS-870-BAT100E
- Capacity: 14.8V 4080mAh
- IP rating: IP65 with PWS-870
- Dimension: 141.2 x 106.2 x 17 mm
- Weight: 385g

Multiple Battery Charger



Features

- P/N: PWS-870-MBC00E
- Store and charge up to 4 PWS-870 external batteries
- Charging time: 4 hr
- LEDs indicate charge status
- Easy to fix on the table by screws
- Power input: 19.5V/7.7A
- Dimension: 214.4 x 229.4 x 60 mm
- Weight: 1.4kg

Accessories

PWS-870 Vehicle Docking Station



Features

- CAN 2.0 A/B (J1939) and OBDII (ISO 15765) support for vehicle diagnosis
- Anti-theft locking mechanism
- External GPS SMA antenna
- Device docking and removal within 1 second
- Ignition control
- Accommodates port replication
- Compliant with MIL-STD-810G and SAE J1455 for vibration and shock tolerance
- E-Mark compliant and supports 12V/24 V vehicle power

Introduction

The PWS-870 high strength composite vehicle docking station is designed to hold the PWS-870 tablet safely and securely. The vehicle docking station comes with a locking mechanism for theft deterrence. It offers complete port replication for users accessing audio jacks, USB, RS-232, DI, DO, LAN, and GPS SMA connector. One of the most important and unique design features is it has CAN bus support for vehicle communication. It's a perfect solution for police car, fire bridge, ambulance, forklift, and different kinds of transportation applications.

Product Specifications

Function	Item	Description
IO connectors	HDC	1 x HDC connector
	HDC IO ports	1 RS-232, 1x CAN 2.0 A/B (support J1939); OBDII (support ISO 15765) protocol, 1 x Line-in & 1 x Line-out, 2 x DI & 2 x DO
		USB
	Ethernet	1 x 100/1000 LAN port (M12)
	SMA for GPS	1 for external GPS Antenna
	DC in	1 x Power Jack (M12) 19V ± 5% (pair with a car adapter: PWS-770-CAD1200E, PWS-770-CAD2400E, PWS-770-CADAP00E. b. DC-in(M12) to adapter cable: 1700021797-01)
Environment	IP Rating	IP54 (with tablet docked and all cables connected)
	Operating Temperature	-20° C ~ 50° C (Charge: 0° C ~ 40° C) with tablet
	Storage Temperature	-40° C ~ 85° C
	Vibration/Shock	MIL-STD-810G, Method 514.5; SAE J1455
	EMC	CE, FCC
	Safety	UL, CB
	Vehicle-related	E-Mark (E13) (pair with PWS-770-CAD1200E, PWS-770-CAD2400E)
Mounting	Mounting Way	VESA (75 x 75 mm)
Weight		950g
Dimension		240.5 x 280.9 x 95.4 mm

Ordering Information

Part Number	Description
PWS-870-VCRADLE00E	PWS-870 Vehicle docking station, with LAN Cable M12(M) cable 8P/RJ45(F) (5cm)
PWS-870-VCRADLE01E	PWS-870 Charge only Vehicle docking station
PWS-870-VMOUNT00E	PWS-870 Vehicle docking station without i/o ports
PWS-770-CADAP00E*	PWS-770/PWS-870 Car Adapter DC to DC 10-32V 90W (120cm) to Cigar Lighter; M12 Plug
PWS-770-CAD1200E*	PWS-770/PWS-870 Car Adapter DC to DC 10-32V 90W with 12V Relay (120cm); M12 Plug
PWS-770-CAD2400E*	PWS-770/PWS-870 Car Adapter DC to DC 10-32V 90W with 24V Relay (120cm); M12 Plug
1700021797-01	M12 plug to DC-in cable (10cm) Note: Connect from PWS-770/PWS-870 Vehicle docking DC-in (M12) to Power adapter Jack (96PSA-A65W19V1-1)
PWS-870-CHDC00E	PWS-870 Vehicle docking HDC Cable RS232 x1; CAN2.0 x1; DIx2; DOx2; Line-in x1; Line-out x1 (200cm)
PWS-770-GPSAN00E	GPS antenna 5.5V 22mA (500cm)
RAM-MOUNT-06E	5.625" double socket arm for 1.5" ball base, 3.625" VESA base at both sockets
RAM-MOUNT-07E	5.625" double socket arm for 1.5" ball base, One side is 3.625" VESA base, on the other side, the socket with flat 2.5" diameter base AMP'S hole pattern
PWS-870-VDOCK-CBE	Vehicle docking starter cable kit (power cable, HDC cable & GPS antenna)

Note:

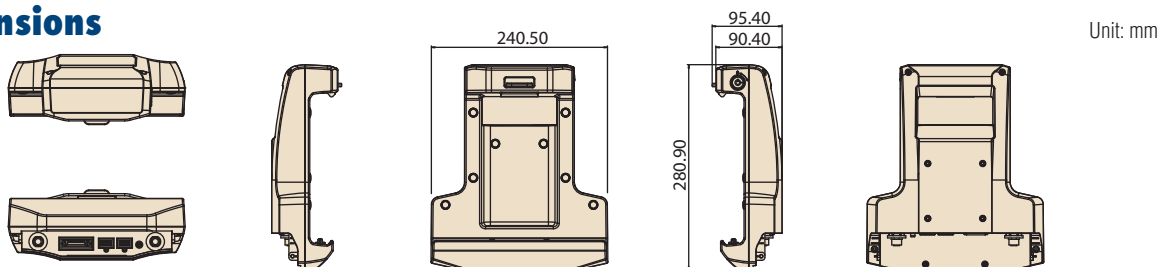
1. PWS-870 Vehicle Docking packages include LAN Cable for M12 to RJ45 connector. The car adapter is optional. Do not attempt to connect Car adapter M12 plug to PWS-870 tablet DC-in
2. For first time purchase, we strongly recommend to purchase starter cable kit & power adapter (select suitable power adapter from the there adapters marked with*) for evaluation

Bottom view IO ports



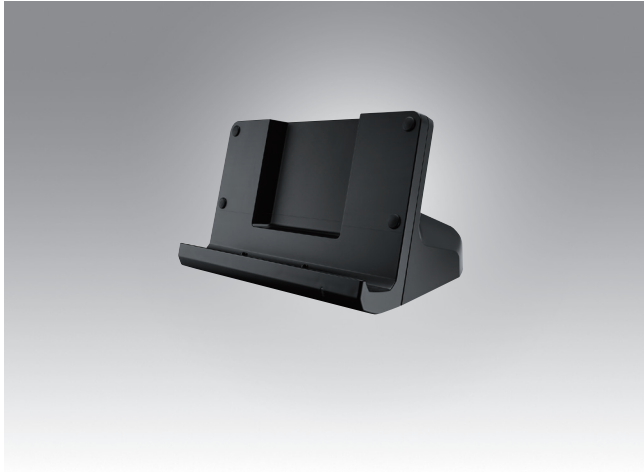
1. 1 x LAN 100/1000 (M12)
2. 1 x GPS SMA
3. 2 x USB 3.0 (locking type)
4. 1 x HDC: RS232 x1; CAN2.0 x1; DIx2; DOx2; Line-in x1; Line-out x1
5. 1 x DC-in (M12)

Dimensions



Accessories

PWS-870 Desk Docking Station



Features

- Offers complete port replication for PWS-870
- Operating temperature -20° C ~ 50° C

Introduction

The desk docking station is designed to dock PWS-870 tablet when you are at your home or on your office desk. When docked, you can charge both the internal and external batteries or transfer data from your tablet PC to another PC.

Product Specifications

Feature	Description
Product Name	PWS-870 Desk Docking Station
External I/O Interfaces	One LAN port (10/100/1000) One VGA port One RS-232 Two USB 3.0 host connectors One DC-in (19 V +- 5%)
Environment	Operating Temperature -20° C ~ 50° C Storage Temperature -20° C ~ 60° C Operating Humidity 5% ~ 95%
Certifications	CE, FCC, UL, CB
Physical Size	223.8 x 146.7 x 128.5 mm
Weight	820g



No.	Component	Function
1	LAN port	Connect an RJ-45 cable to access LAN connection
2	VGA port	Connect a VGA port to connect to another monitor
3	Serial port	Connect a serial cable to connect to another PC
4	USB ports	Connect USB connectors to transfer data
5	DC-IN	Connect the AC adapter to charge the battery

Note: In order to prevent the damage to both PWS-870 and the desk docking station, please do not attempt to use with other tablets.

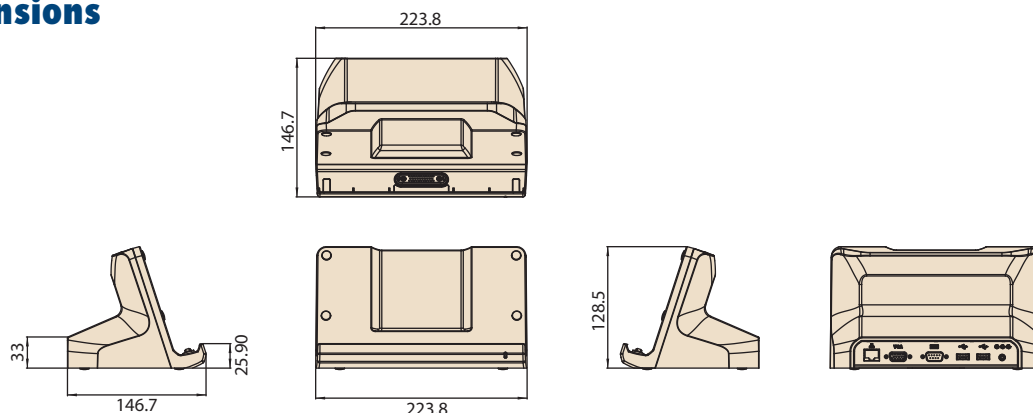
Ordering information

Part Number	Description
PWS-870-CRADLE00E	PWS-870 Desk Docking Station

Note: The package does not include power adapter. Please use PWS-870 tablet's power adapter directly.

Dimensions

Unit: mm



PWS-870

10" Industrial Tablet with 4th Generation Intel® Core™ i Processor



Features

- MIL-STD-810G and IP65 certified, can withstand drops of up to 4ft.
- 10.1" HD high-brightness, multi-touch, Gorilla Glass panel with digitizer
- 4th generation Intel® Core™ i processor supports Windows 8
- Built-in 4G LTE, WLAN (802.11 a/b/g/n/ac), BT4.0, and GPS modules with Beidou/GLONASS support
- Hot-swappable battery provides up to 11 hours operation⁽¹⁾
- Built-in dual cameras, 1D/2D barcode scanner, and NFC RFID
- Rich peripherals with vehicle docking station, desk docking station, and extension module support



Introduction

The PWS-870 is a fully rugged mobile tablet featuring a 10.1" HD resolution capacitive Multi Touch panel, an Intel Core i processor, mSATA SATA3 SSD storage, USB 3.0 and HDMI communication IO ports. For communication it comes with 802.11 a/b/g/n/ac WiFi, Bluetooth, GPS, and 4G LTE. One of the most important unique design features is its built-in data collection features: 2M/5M dual cameras, 1D/2D barcode reader, and NFC RFID reader. To mobile field workers, hot-swappable external battery for long-lasting support allows the system to operate for up to 11 hours at a time. The fully-rugged design (MIL-STD-810G, IP65 dust & water resistant and 4-foot drop) allows PWS-870 to perform in harsh environments. With sunlight readable display, PWS-870 is a perfect device for outdoor work.

Specifications

Motherboard	CPU & Chipset	Intel® Core™ i3 Processor 1.7 GHz 4010U Intel® Core™ i5 Processor 1.9 GHz 4300U with Turbo Boost to 2.9GHz Intel® Core™ i7 Processor 1.7 GHz 4650U with Turbo Boost to 3.3 GHz	
	Memory	SO-DIMM DDR3L 1600 MHz up to 8 GB ⁽²⁾	
	Storage	Support mSATA SATAIII SSD 64 GB ~ 256 GB ⁽²⁾	
Display & Touchscreen	Display	10.1" HD (1366x768) Low reflection LED Backlight LCD (400 nits default; 950 nits by project)	
	Touch Panel	Capacitive multi touch Sunlight readable feature Display with Corning® Gorilla® Glass Gen3	
	Sensor	Ambient light, Accelerometer (G-Sensor), E-compass, Gyroscope Sensor - Screen Rotation: 0°, 90°, 270°	
System	WLAN+Bluetooth	IEEE 802.11 a/b/g/n/ac+ Blueooth V4.0(class2)+EDR	
	WWAN	Integrated 4G (LTE,HSPA+, GSM/GPRS/EDGE) MC7305 for EU B1/B3/B7/B8/B20 MC7355 for US B2/B4/B5/B13/B17/B25	
	GNSS	Dedicated GPS, Beidou and Glonass	
	Camera	Front Camera: 2M pixel CMOS sensor; supports video streaming Rear Camera: 5M pixel CMOS sensor; with LED flash light and auto focus control	
	Data Collection	Optional built-in 1D barcode scanner (Honeywell N4313) Optional built-in 2D barcode scanner (Honeywell N5600) Optional built-in NFC RFID reader (13.56MHz, supports ISO14443A/B, ISO15693, MIFARE, Felica)	
	Security	1. Optional fingerprint scanner 2. TPM 1.2 3. Kensington cable lock slot	
	Audio	Integrated speakers (2W) Integrated microphone	
	Input	Capacitive multi touch Programmable button x2	Capacitive pen On-screen QWERTY keyboard
	LED	Power LED Battery LED RFID LED	
	I/O	USB 3.0 x2; USB 2.0 x1 HDMI 1.4 x1 SD card slot x1 (SDXC/UHS1/UHS2) Audio combo jack (Line-in/Line-out) x1	DC-in x1 Docking port x1 (32PIN) (USB3.0, USB2.0, PCIE Gen2, Display port) SIM slot x1
	Battery	Main battery: 4S1P 14.4V 2730mAh Hot-Swappable external battery: 4S2P 14.4V 4080mAh With Hot-Swappable external battery up to 11hrs ⁽¹⁾	
	Power Input	19V ± 5%	
	OS	Windows Embedded 8.1 Industry Pro (Default), Windows Embedded 8 Standard (Default), Windows 7 Pro 64bit (By project), Linux Ubuntu (By project) Windows 10 IoT 64 bit (By project)	

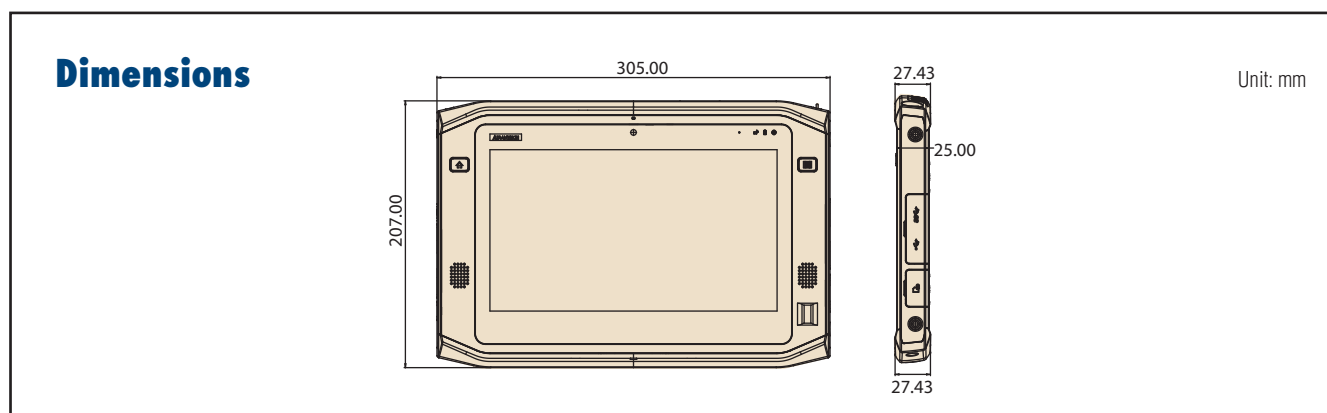
(1) The battery life estimates based on MobileMark 2007 performance. Battery performance will vary by system setting and configuration.

(2) Only Advantech is able to change SSD and Memory.

Specifications Cont.

Environment	Temperatue & Humidity	Operating Temperature -20° C ~ 50° C (Charge: 0° C ~ +40° C for the battery protection) Storage Temperature -20 ~ 60° C Operating Humidity 5% ~ 95% @ 40° C
	IP Rating	IP65
	Vibration	MIL-STD-810G
Certifications	EMC/RF	CE/FCC/CCC/PTCRB/SAR
	Safety	UL/CE/CB/CCC
	Peripheral ⁽³⁾	<ul style="list-style-type: none"> ▪ Universal Cover (Handle, stand, hand strap, and shoulder belt) ▪ Extension modules for MSR, UHF RFID, extra IO ports solution ▪ Desk docking station ▪ External battery
Dimension & Weight	Dimensions	305 (L) x 207 (W) x 25-27 (H) mm
	Weight	1.4 kg

(3) For the peripherals' availability, please check with Advantech's sales directly.



I/O Connectors



1. 2M Camera
2. Home Key (Programmable)
3. Function Key (Programmable)
4. Speakers
5. Fingerprint (Optional)

6. 5M AF Camera with Flash Light
7. FAN
8. NFC RFID Reader (Optional)
9. Capacitive Pen
10. Latch (For External Battery)

1. Kensington Lock
2. Power Button
3. Audio Combo Jack
4. HDMI Connector (1.4)
5. USB Connector (USB3.0)
6. DC-in

7. Screw Hole for Extension Module
8. USB Connector (USB3.0)
9. USB Connector (USB2.0)
10. SD Card Slot (SDXC)
11. Screw Hole for Extension Module

Ordering Information

Part Number	Configuration												
	CPU	LCD	Memory	Storage	Front/Rear CAM	WiFi	BT	GNSS	4G	OS	Barcode RFID	NFC	FingerPrint
PWS-870-3S6W0E000E	Core i3	Sunlight	DDR3 4GB	SSD 64GB	V	V	V	N/A	N/A	WES 8	N/A	N/A	N/A
PWS-870-3S6W00000E	Core i3	Sunlight	DDR3 4GB	SSD 64GB	V	V	V	N/A	N/A	N/A	N/A	N/A	N/A
PWS-870-3S6G4E5F0E	Core i3	Sunlight	DDR3 4GB	SSD 64GB	V	V	V	V	LTE-US	WES 8	2D	NFC	FingerPrint
PWS-870-3S6G6E5F0E	Core i3	Sunlight	DDR3 4GB	SSD 64GB	V	V	V	V	LTE-EU	WES 8	2D	NFC	FingerPrint
PWS-870-3H6G6E5F0E	Core i3	High Brightness	DDR3 4GB	SSD 64GB	V	V	V	V	LTE-EU	WES 8	2D	NFC	FingerPrint
PWS-870-5S6G4P5F0E	Core i5	Sunlight	DDR3 4GB	SSD 64GB	V	V	V	V	LTE-US	Win8.1 Pro	2D	NFC	FingerPrint
PWS-870-5S6G6P5F0E	Core i5	Sunlight	DDR3 4GB	SSD 64GB	V	V	V	V	LTE-EU	Win8.1 Pro	2D	NFC	FingerPrint
PWS-870-7S6G4P5F0E	Core i7	Sunlight	DDR3 4GB	SSD 64GB	V	V	V	V	LTE-US	Win8.1 Pro	2D	NFC	FingerPrint
PWS-870-7S6G6P5F0E	Core i7	Sunlight	DDR3 4GB	SSD 64GB	V	V	V	V	LTE-EU	Win8.1 Pro	2D	NFC	FingerPrint
PWS-870-7H6G6P5F0E	Core i7	High Brightness	DDR3 4GB	SSD 64GB	V	V	V	V	LTE-EU	Win8.1 Pro	2D	NFC	FingerPrint

Packing List

Part Number	Description
96PSA-A65W19V1-1	65W Adapter *1 pcs
9680015843	Stylus Pen * 1 pcs

Accessories

Accessories for PWS-870 Series



Universal Cover Package



Features

- P/N: PWS-870-UCOVER00E
- Material: Plastic, PVC
- Color: Black
- Dimension: 305 x 254.2 x 88.4 mm
- Weight: 500g (universal cover, hand strap and shoulder belt)
- Package content: universal cover, hand strap, shoulder belt

MSR & Smart Card Reader Extension



Features

- P/N: PWS-870-EXT300E
- Smart Card Reader
 - ISO 7816 PC/SC
 - EMV 4.0 Level 1
 - Supports I2C memory card, SLE4418, SLE4428, SLE4432, SLE4442, SLE4436, SLE5536, SLE6636, AT88SC1608, AT45D041 card
- MSR (Magnetic Card Reader)
 - MagneSafe IntelliHead
 - Supports US 7810 & ISO 7811/AAMVA
 - Card speed: 6 to 60 ips (15.4 to 12.4 cm/s)
 - Triple DES encryption
 - DUKPT key management
- Operating temperature: -20° C ~ 50° C
- Storage temperature: -20° C ~ 60° C
- Dimension: 192.2 x 40.2 x 25 mm
- Weight: 120g

I/O Extension



Features

- P/N: PWS-870-EXT100E
- Interfaces: USB 3.0 (type A, 5V/0.9A) x 1, RS-232 (D-Sub 9) x 2, 10/100/1000 Ethernet (RJ45) x 1
- Operating temperature: -20° C ~ 50° C
- Dimension: 192.2 x 45.2 x 25 mm
- Weight: 140g

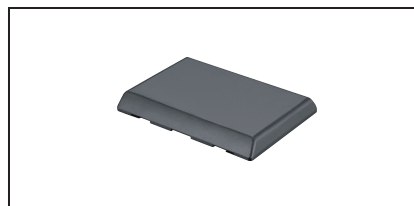
UHF RFID Extension



Features

- P/N: PWS-870-EXT200E (EU) / PWS-870-EXT210E (US)
- RFID output power: 0.063 watt EIRP
- RFID antenna type: Linear Polarization
- Frequency: EU: 865 ~ 868MHz / US: 902 ~ 928MHz
- Tag standard supported: EPC Class 1 Gen 2 / ISO 18000-6C
- Operating temperature: -20° C ~ 50° C
- Maximum output power: +18dBm (Conductive)
- Dimension: 192.2 x 40.2 x 25 mm
- Weight: 110g

External Battery



Features

- P/N: PWS-870-BAT100E
- Capacity: 14.8V 4080mAh
- IP rating: IP65 with PWS-870
- Dimension: 141.2 x 106.2 x 17 mm
- Weight: 385g

Multiple Battery Charger



Features

- P/N: PWS-870-MBC00E
- Store and charge up to 4 PWS-870 external batteries
- Charging time: 4 hr
- LEDs indicate charge status
- Easy to fix on the table by screws
- Power input: 19.5V/7.7A
- Dimension: 214.4 x 229.4 x 60 mm
- Weight: 1.4kg

Accessories

PWS-870 Vehicle Docking Station



Features

- CAN 2.0 A/B (J1939) and OBDII (ISO 15765) support for vehicle diagnosis
- Anti-theft locking mechanism
- External GPS SMA antenna
- Device docking and removal within 1 second
- Ignition control
- Accommodates port replication
- Compliant with MIL-STD-810G and SAE J1455 for vibration and shock tolerance
- E-Mark compliant and supports 12V/24 V vehicle power

Introduction

The PWS-870 high strength composite vehicle docking station is designed to hold the PWS-870 tablet safely and securely. The vehicle docking station comes with a locking mechanism for theft deterrence. It offers complete port replication for users accessing audio jacks, USB, RS-232, DI, DO, LAN, and GPS SMA connector. One of the most important and unique design features is it has CAN bus support for vehicle communication. It's a perfect solution for police car, fire bridge, ambulance, forklift, and different kinds of transportation applications.

Product Specifications

Function	Item	Description
IO connectors	HDC	1 x HDC connector
	HDC IO ports	1 RS-232, 1x CAN 2.0 A/B (support J1939); OBDII (support ISO 15765) protocol, 1 x Line-in & 1 x Line-out, 2 x DI & 2 x DO
		USB
	Ethernet	1 x 100/1000 LAN port (M12)
	SMA for GPS	1 for external GPS Antenna
	DC in	1 x Power Jack (M12) 19V ± 5% (pair with a car adapter: PWS-770-CAD1200E, PWS-770-CAD2400E, PWS-770-CADAP00E. b. DC-in(M12) to adapter cable: 1700021797-01)
Environment	IP Rating	IP54 (with tablet docked and all cables connected)
	Operating Temperature	-20° C ~ 50° C (Charge: 0° C ~ 40° C) with tablet
	Storage Temperature	-40° C ~ 85° C
	Vibration/Shock	MIL-STD-810G, Method 514.5; SAE J1455
	EMC	CE, FCC
	Safety	UL, CB
	Vehicle-related	E-Mark (E13) (pair with PWS-770-CAD1200E, PWS-770-CAD2400E)
Mounting	Mounting Way	VESA (75 x 75 mm)
Weight		950g
Dimension		240.5 x 280.9 x 95.4 mm

Ordering Information

Part Number	Description
PWS-870-VCRADLE00E	PWS-870 Vehicle docking station, with LAN Cable M12(M) cable 8P/RJ45(F) (5cm)
PWS-870-VCRADLE01E	PWS-870 Charge only Vehicle docking station
PWS-870-VMOUNT00E	PWS-870 Vehicle docking station without i/o ports
PWS-770-CADAP00E*	PWS-770/PWS-870 Car Adapter DC to DC 10-32V 90W (120cm) to Cigar Lighter; M12 Plug
PWS-770-CAD1200E*	PWS-770/PWS-870 Car Adapter DC to DC 10-32V 90W with 12V Relay (120cm); M12 Plug
PWS-770-CAD2400E*	PWS-770/PWS-870 Car Adapter DC to DC 10-32V 90W with 24V Relay (120cm); M12 Plug
1700021797-01	M12 plug to DC-in cable (10cm) Note: Connect from PWS-770/PWS-870 Vehicle docking DC-in (M12) to Power adapter Jack (96PSA-A65W19V1-1)
PWS-870-CHDC00E	PWS-870 Vehicle docking HDC Cable RS232 x1; CAN2.0 x1; DIx2; DOx2; Line-in x1; Line-out x1 (200cm)
PWS-770-GPSAN00E	GPS antenna 5.5V 22mA (500cm)
RAM-MOUNT-06E	5.625" double socket arm for 1.5" ball base, 3.625" VESA base at both sockets
RAM-MOUNT-07E	5.625" double socket arm for 1.5" ball base, One side is 3.625" VESA base, on the other side, the socket with flat 2.5" diameter base AMP'S hole pattern
PWS-870-VDOCK-CBE	Vehicle docking starter cable kit (power cable, HDC cable & GPS antenna)

Note:

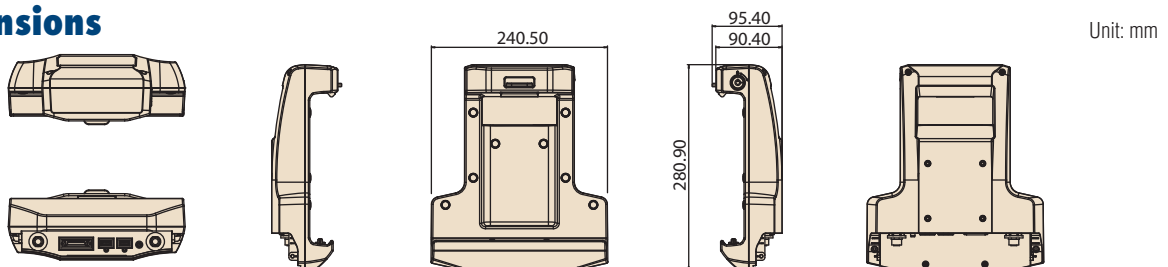
1. PWS-870 Vehicle Docking packages include LAN Cable for M12 to RJ45 connector. The car adapter is optional. Do not attempt to connect Car adapter M12 plug to PWS-870 tablet DC-in
2. For first time purchase, we strongly recommend to purchase starter cable kit & power adapter (select suitable power adapter from the there adapters marked with*) for evaluation

Bottom view IO ports



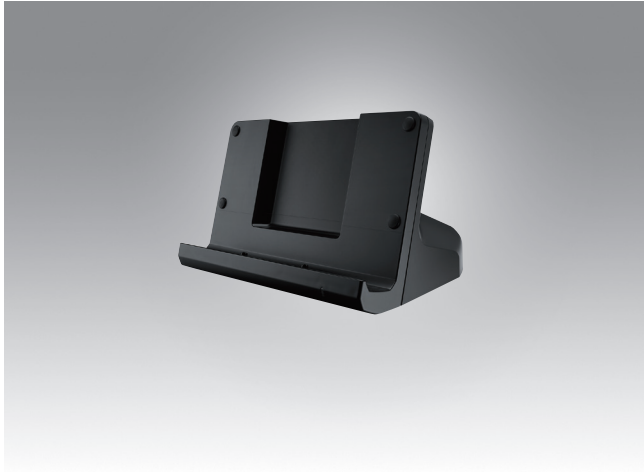
1. 1 x LAN 100/1000 (M12)
2. 1 x GPS SMA
3. 2 x USB 3.0 (locking type)
4. 1 x HDC: RS232 x1; CAN2.0 x1; DIx2; DOx2; Line-in x1; Line-out x1
5. 1 x DC-in (M12)

Dimensions



Accessories

PWS-870 Desk Docking Station



Features

- Offers complete port replication for PWS-870
- Operating temperature -20° C ~ 50° C

Introduction

The desk docking station is designed to dock PWS-870 tablet when you are at your home or on your office desk. When docked, you can charge both the internal and external batteries or transfer data from your tablet PC to another PC.

Product Specifications

Feature	Description
Product Name	PWS-870 Desk Docking Station
External I/O Interfaces	One LAN port (10/100/1000) One VGA port One RS-232 Two USB 3.0 host connectors One DC-in (19 V +- 5%)
Environment	Operating Temperature -20° C ~ 50° C Storage Temperature -20° C ~ 60° C Operating Humidity 5% ~ 95%
Certifications	CE, FCC, UL, CB
Physical Size	223.8 x 146.7 x 128.5 mm
Weight	820g



No.	Component	Function
1	LAN port	Connect an RJ-45 cable to access LAN connection
2	VGA port	Connect a VGA port to connect to another monitor
3	Serial port	Connect a serial cable to connect to another PC
4	USB ports	Connect USB connectors to transfer data
5	DC-IN	Connect the AC adapter to charge the battery

Note: In order to prevent the damage to both PWS-870 and the desk docking station, please do not attempt to use with other tablets.

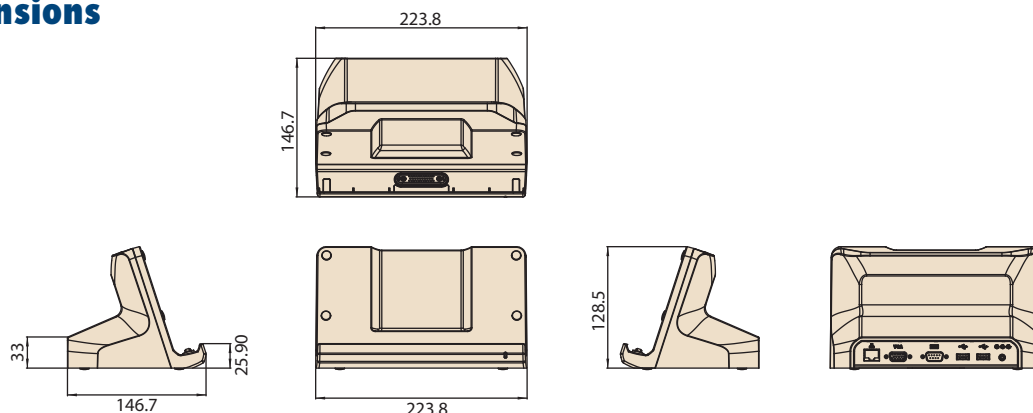
Ordering information

Part Number	Description
PWS-870-CRADLE00E	PWS-870 Desk Docking Station

Note: The package does not include power adapter. Please use PWS-870 tablet's power adapter directly.

Dimensions

Unit: mm



PWS-872

10" Industrial-Grade Tablet with 7th Generation Intel® Core™ i3/i5/i7/ Celeron® Processor



Features

- 7th generation Intel® Core™ i3/i5/i7/Celeron® processor with integrated Intel® Turbo Boost technology
- 10.1" high-brightness WUXGA LED display with scratch-resistant Corning® Gorilla® Glass 3 panel
- Multi-touch PCAP touchscreen with support for gloved operation
- Rugged design with MIL-STD-810G certification, IP65 rating, and 4-ft. drop tolerance
- 4G LTE, WLAN (802.11 a/b/g/n/ac), Bluetooth 4.1, and GPS modules with BeiDou/GLONASS support
- Built-in front and rear cameras, 1D/2D barcode scanner, and NFC RFID reader
- Hot-swappable battery supports up to 11 hours operation*
- Microsoft® Windows 10 OS
- Optional peripherals include vehicle docking station, desk docking station, and multiple extension modules



Introduction

PWS-872 is an industrial-grade tablet equipped with an Intel® Core™ i3/i5/i7/Celeron® processor, 10.1" WUXGA LED display with multi-touch PCAP control, mSATA SATA III SSD storage, multiple I/O, and Wi-Fi (802.11 a/b/g/n/ac), NFC, 3G/4G LTE, and Bluetooth 4.1 communication technologies. The built-in front (2M) and rear (8M) cameras, 1D/2D barcode scanner, and NFC reader provide convenient data collection tools, and the high-brightness sunlight-readable display supports outdoor applications. For mobile field-service applications, PWS-872 can be integrated with a hot-swappable external battery that supports up to 11 hours operation to enable long-duration use. Designed for harsh environments, PWS-872 is also MIL-STD-810G certified for shock and vibration tolerance, IP65 rated for protection from water and dust ingress, and can withstand drops of up to 4 ft. Moreover, PWS-872 can be integrated with a wide range of peripherals, such as a vehicle docking station, multi-bay battery charger, universal cover, and various I/O extension modules, to provide application-specific solutions.

Specifications

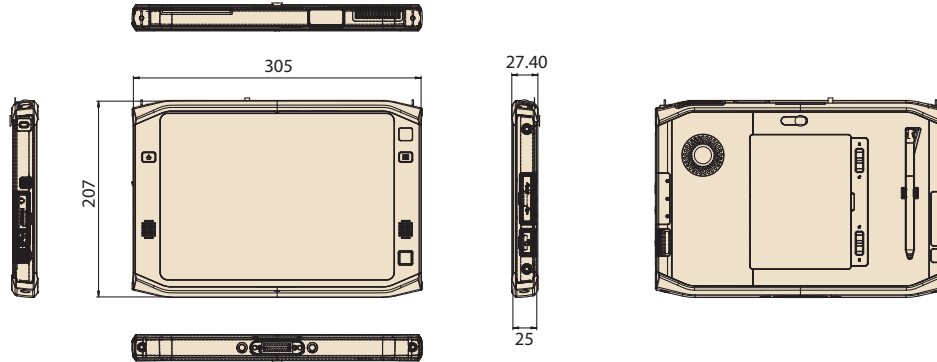
Core	CPU & Chipset	Intel® Celeron® 3965U, 2.2 GHz Intel® Core™ i3-7100U, 2.4 GHz Intel® Core™ i5-7300U, 2.6 GHz (3.5 GHz Intel® Turbo Boost) Intel® Core™ i7-7600U, 2.8 GHz (3.9 GHz with Intel® Turbo Boost)	
	Memory	SODIMM DDR4, 2100 MHz (up to 16 GB)	
	Storage	mSATA SATA III SSD (64 GB ~ 1 TB)	
Display	Display	10.1" WXGA LED LCD with 1280 x 800 resolution, 300-nit brightness, anti-glare surface for sunlight readability, and LED backlight	
	Touch Panel	Multi-touch projected capacitive touchscreen with scratch-resistant Corning® Gorilla® Glass 3 panel and support for gloved operation	
	Sensor	Ambient light, accelerometer (g-sensor), e-compass, gyroscope (0°, 90°, 270° screen rotation)	
System	WLAN+Bluetooth	IEEE 802.11 a/b/g/n/ac wave 2 + Bluetooth 4.1 EDR	
	WWAN	4G LTE, HSPA+/UMTS, GSM/GPRS/EDGE (optional) PLS8-E for EU 800/900/1800/2600, PLS8-X for US 700/850/AWS/1900 (optional)	
	GNSS	Integrated GPS, BeiDou, GLONASS	
	Camera	Front: 2 megapixel CMOS sensor camera with video streaming support Rear: 8 megapixel CMOS sensor camera with LED flash and auto focus	
	Data Collection	Optional 1D barcode scanner (Honeywell N4313), 2D barcode scanner (Honeywell N3680), and NFC RFID reader (13.56 MHz, supports ISO14443A/B, ISO15693, MIFARE, FeliCa)	
	Security	1 x Fingerprint scanner (optional), 1 x Trusted Platform Module 1.2, 1 x Kensington Security Slot	
	Audio	2 x 2W speakers, 1 x microphone	
	Input	Multi-touch projected capacitive touchscreen, 2 x programmable buttons, 5 x programmable capacitive touch sensor inputs, 1 x capacitive stylus, on-screen QWERTY keyboard	
	LED Indicators	Power, battery, RFID	
	I/O		2 x USB 3.0, 1 x USB 2.0 1 x HDMI 1.4 1 x SD card slot (SDXC/UHS1/UHS2) 1 x Audio combo jack (line-in/line-out) 1 x DC-in 1 x SIM slot 1 x Docking port (32 pin) (USB 3.0, USB 2.0, PCIe 2.0, DisplayPort)
		Battery	Main battery: 4S1P 14.4V 2730mAh Hot-swappable external battery: 4S2P 14.4V 4080mAh (supports up to 11 hours operation*)
		Power Input	19V ± 5%
		OS	Microsoft® Windows 10 IoT (64 bit), Linux Ubuntu1604
Environment		Operating: -20 ~ 50 °C/-4 ~ 122 °F (0 ~ 40 °C/32 ~ 104 °F when charging to protect the battery) Storage: -40 ~ 60 °C (-40 ~ 140 °F) 5 ~ 95% @ 40 °C/104 °F	
Certification	Vibration/Shock	MIL-STD-810G	
	EMC/RF	CE/FCC/CCC/SAR*	
	Safety	UL/CE/CB/CCC	
	Mobile Device Management	SOTI compatible	
Mechanical	Dimensions (L x W x H)	305 x 207 x 25/27 mm (12 x 8.14 x 0.98/1.06 in)	
	Weight	1.5 Kgs (3.30 lb)	

* The estimated battery life is based on MobileMark® 2014 benchmark. Actual battery performance will vary according to system settings and configuration.

* WiFi certification only; LTE certification by project.

Dimensions

Unit: mm



System I/O

PWS-872 Front/Rear View



1. 2M camera
2. Home key (programmable)
3. Function key
4. Speakers
5. Fingerprint scanner
6. Programmable capacitive touch input
7. 8M AF camera with flash
8. Fan
9. NFC reader
10. Capacitive stylus
11. Latch (for external battery)

PWS-872 Right/Left Side View



1. Kensington Security Slot
2. Power button
3. Audio combo jack
4. HDMI connector (1.4)
5. USB 3.0 port
6. DC-in
7. Screw hole for extension modules
8. USB 3.0 port
9. USB 2.0 port
10. SD card slot (SDXC)

Ordering Information

Standard SKU	Configuration											RFID reader	Barcode scanner	Fingerprint scanner
	CPU	LCD	Memory	Storage	Front camera	Rear camera	Wi-Fi	BT	GPS	4G	OS			
PWS-872-CS6W0X000	Celeron	Standard (without capacity hot keys)	DDR4 4GB	SSD 64GB (0-70 °C)	-	-	Yes	Yes	-	-	Win 10 IoT	-	-	-
PWS-872-CS6W0X200	Celeron	Standard (without Capacity Hot Key)	DDR4 4GB	SSD 64GB (0-70°C)	Yes	Yes	Yes	Yes	-	-	Win10 IoT	-	2D	-
PWS-872-3S6W0X000	Core i3	Standard	DDR4 4GB	SSD 64GB (0-70 °C)	Yes	Yes	Yes	Yes	-	-	Win 10 IoT	-	-	-
PWS-872-3S6W4X200	Core i3	Standard	DDR4 4GB	SSD 64GB	Yes	Yes	Yes	Yes	-	LTE-US	Win 10 IoT	-	2D	-
PWS-872-3S6W6X200	Core i3	Standard	DDR4 4GB	SSD 64GB	Yes	Yes	Yes	Yes	-	LTE-EU	Win 10 IoT	-	2D	-
PWS-872-5S6W4X200	Core i5	Standard	DDR4 4GB	SSD 64GB	Yes	Yes	Yes	Yes	-	LTE-US	Win 10 IoT	-	2D	-
PWS-872-5S6W6X200	Core i5	Standard	DDR4 4GB	SSD 64GB	Yes	Yes	Yes	Yes	-	LTE-EU	Win 10 IoT	-	2D	-
PWS-872-7S6W4X200	Core i7	Standard	DDR4 4GB	SSD 64GB	Yes	Yes	Yes	Yes	-	LTE-US	Win 10 IoT	-	2D	-
PWS-872-7S6W6X200	Core i7	Standard	DDR4 4GB	SSD 64GB	Yes	Yes	Yes	Yes	-	LTE-EU	Win 10 IoT	-	2D	-

Packing List

Part Number	Description
96PSA-A65W19V1-1	1 x 65W adapter
9680015843	1 x Capacitive stylus

PWS-870/872 Peripherals

Optional Accessories and Extension Modules for the PWS-870/872 Series



Universal Cover Package



Features

- Material: Plastic, PVC
- Color: Black
- Dimensions: 305 x 254.2 x 88.4 mm (12 x 10 x 3.48 in)
- Weight: 500 g (1.10 lb)
- Package contents: Universal cover with handle, stand, strap, and holster options

Extension Modules

MSR and Smart Card Reader



Features

- Smart Card Reader
 - ISO 7816 PC/SC
 - EMV 4.0 Level 1
 - Supports I2C memory cards (SLE4418, SLE4428, SLE4432, SLE4442, SLE4436, SLE5536, SLE6636, AT88SC1608, AT45D041)
- Magnetic Stripe Reader
 - MagneSafe™ IntelliHead
 - Supports US 7810, ISO 7811/AAMVA
 - Read speed: 6 ~ 60 IPS (15.4 ~ 12.4 cm)
 - Triple DES encryption
 - DUKPT key management
- Operating temperature: -20 ~ 50 °C (-4 ~ 122 °F)
- Storage temperature: -20 ~ 60 °C (-4 ~ 140 °F)
- Dimensions: 192.2 x 40.2 x 25 mm (7.56 x 1.58 x 0.98 in)
- Weight: 120 g (0.26 lb)

Additional I/O



Features

- Interfaces: 1 x USB 3.0 (type A, 5V/0.9A), 2 x RS-232 (D-sub 9), 1 x 10/100/1000 Ethernet (RJ45)
- Operating temperature: -20 ~ 50 °C (-4 ~ 122 °F)
- Dimensions: 192.2 x 45.2 x 25 mm (7.56 x 1.77 x 0.98 in)
- Weight: 140 g (0.30 lb)

Optional Accessories and Extension Modules for the PWS-870/872 Series

External Battery



Features

- Capacity: 14.8V 4080mAh
- IP rating: IP65
- Dimensions: 141.2 x 106.2 x 17 mm (5.55 x 4.18 x 0.66 in)
- Weight: 385 g (0.84 lb)

Multi-Bay Battery Charger



Features

- Supports up to 4 external batteries
- Charging time: 4 hr
- Charge status LED indicators
- Screw holes for secure installation
- Power input: 19.5V/7.7A
- Dimensions: 214.4 x 229.4 x 60 mm (8.44 x 9.03 x 2.36 in)
- Weight: 1.4 kg (3.08 lb)
- Packing material: XAASC-FSP150-RFBN2 (1 x 150w adapter)

Active Pen (for PWS-872)



Features

- Operating frequency: 90 ~ 250 KHz
- Operating temperature: 0 ~ 50 °C (32 ~ 122 °F)
- Buttons: 2 x side buttons (eraser, barrel)
- Battery: 1 x AAAA (replaceable)
- Dimensions: 140 x 9.7 mm (5.51 x 0.38 in)
- Weight: 70 g (0.15 lb)

Screen Protection Film (for PWS-872)



Features

- 10.1" replacement anti-glare screen protection film

Ordering Information

Part Number	Description
PWS-870-UCOVER00E	Universal cover package (for PWS-870/872 series)
PWS-870-EXT300E	MSR and smart card reader (for PWS-870/872 series)
PWS-870-EXT100E	I/O extension module (for PWS-870/872 series)
PWS-870-BAT100E	External battery (for PWS-870/872 series)
PWS-870-MBC00E	Multi-bay battery charger (for PWS-870/872 series)
PWS-872-ACTPEN	Active pen (for PWS-872)
PWS-872-PROFILM	10.1" replacement screen protection film (for PWS-872)

PWS-870 / 872 Peripherals

Vehicle Docking Station for the PWS-870/872 Series



Features

- CAN 2.0 A/B (J1939) and OBDII (ISO 15765) protocol support for vehicle diagnostics
- Anti-theft locking mechanism
- External GPS SMA antenna
- Compatible with 12V/24 V vehicle power
- Ignition control
- Rapid device docking and removal
- Provides complete port replication
- Compliant with MIL-STD-810G and SAE J1455 for vibration and shock tolerance
- E-mark (E13) certified for vehicle safety

Introduction

The vehicle docking station supports both the PWS-870 and PWS-872 series. Designed to provide a stable platform for in-vehicle mounting and battery recharging, the vehicle docking station is equipped with a locking mechanism to prevent theft. Replica I/O ports are provided to ensure convenient I/O access for full tablet functionality. Moreover, with the added provision of CAN bus support for vehicle diagnostics, the vehicle docking station provides the ideal in-vehicle solution for diverse automobile applications, including warehouse forklifts and police, fire brigade, and ambulance fleets.

Specifications

I/O	HDC	1 x HDC connector 1 x RS-232, 1 x CAN 2.0 A/B (supports J1939) with OBDII protocol (supports ISO 15765), 1 x line-in, 1 x line-out, 2 x DI, and 2 x DO
	USB	2 x USB 3.0 (locking type)
	Ethernet	1 x 100/1000 LAN (M12)
	SMA for GPS	1 x for external GPS antenna
	DC-In	1 x Power jack (M12) 19V ± 5% (can be paired with a vehicle adapter (PWS-770-CAD1200E/PWS-770-CAD2400E/PWS-770-CADAP00E) or DC-in (M12) adapter cable (1700021797-01)
Environment	IP Rating	IP54 (with tablet docked and all cables connected)
	Operating Temperature	-20 ~ 50 °C/-4 ~ 122 °F (0 ~ 40 °C/32 ~ 104 °F when charging) with tablet docked
	Storage Temperature	-40 ~ 85 °C (-40 ~ 185 °F)
Certifications	Vibration/Shock	MIL-STD-810G, Method 514.5; SAE J1455
	EMC	CE, FCC
	Safety	UL, CB
	Vehicle Safety	E-mark (E13) (when paired with PWS-770-CAD1200E/PWS-770-CAD2400E)
Mount Options	VESAs (75 x 75 mm)	
Weight	950 g (2.09 lb)	
Dimensions	240.5 x 280.9 x 95.4 mm (9.46 x 11.05 x 3.75 in)	

Ordering Information

Part Number	Description (for PWS-870/872 series)
PWS-870-VCRADLE00E	Vehicle docking station with LAN cable and M12(M) to 8P/RJ45(F) cable (5 cm)
PWS-870-VCRADLE01E	Charge-only vehicle docking station
PWS-870-VMOUNT00E	Vehicle docking station without I/O
PWS-770-CADAP00E*	Vehicle power DC 10 ~ 32V 90W (120cm) to cigarette lighter adaptor with M12 connector
PWS-770-CAD1200E*	Vehicle power DC 10 ~ 32V 90W adaptor with 12V relay (120 cm) and M12 connector
PWS-770-CAD2400E*	Vehicle power DC 10 ~ 32V 90W adaptor with 24V relay (120 cm) and M12 connector
1700021797-01	M12 connector to DC-in cable (10 cm) Note: Connect the PWS-870/872 vehicle docking station DC-in port (M12) to the power jack adapter (96PSA-A65W19V1-1)
PWS-870-CHDC00E	Vehicle docking station HDC cable (200 cm), supports 1 x RS-232, 1 x CAN 2.0, 2 x DI, 2x DO, 1 x line-in, 1 x line-out
PWS-770-GPSAN00E	GPS antenna cable 5.5V 22mA (500 cm)
RAM-MOUNT-06E	5.625" double socket arm for 1.5" ball base, 3.625" VESA base at both sockets
RAM-MOUNT-07E	5.625" double socket arm for 1.5" ball base (1 socket with 3.625" VESA base, 1 socket with flat 2.5" diameter base AMPS hole pattern)
PWS-870-VDOCK-CBE	Vehicle docking starter cable kit (power cable, HDC cable, and GPS antenna)

Notes:

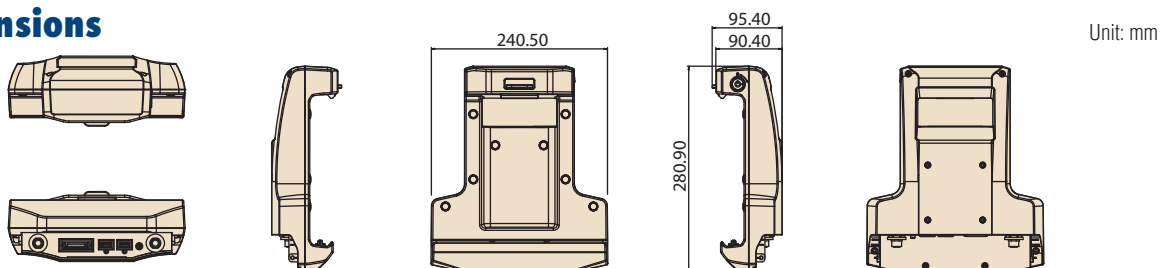
1. The PWS-870/872 vehicle docking station includes a LAN cable for M12-to-RJ45 connector. The vehicle adapter is optional. Do not attempt to connect the vehicle adapter M12 plug to the tablet's DC-in port.
2. Advantech strongly recommends initially purchasing the starter cable kit and power adapter for evaluation (suitable power adapters are marked*)

Underside I/O



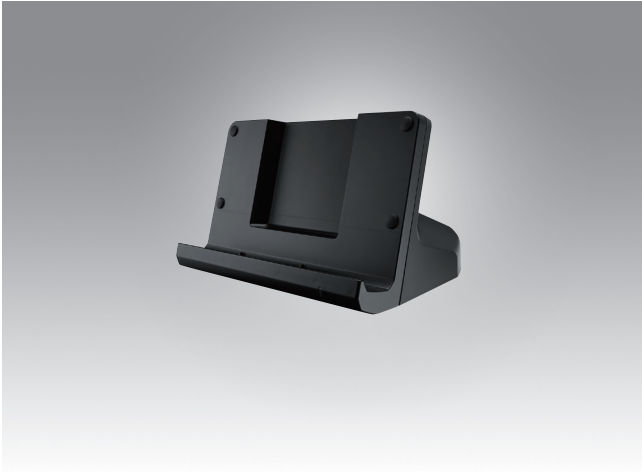
1. 1 x LAN 100/1000 (M12)
2. 1 x GPS SMA
3. 2 x USB 3.0 (locking type)
4. 1 x HDC: 1 x RS232, 1 x CAN 2.0, 2 x DI, 2 x DO, 1 x line-in, 1 x line-out
5. 1 x DC-in (M12)

Dimensions



PWS-870 / 872 Peripherals

Docking Station for the PWS-870/872 Series



Features

- Provides complete port replication for PWS-870/872 tablets
- Wide operating temperature range (-20 ~ 50 °C/-4 ~ 122 °F)

Introduction

The desk docking station supports both the PWS-870 and PWS-872 series. Designed to provide a stable platform for positioning the tablet on a desk or countertop, the desk docking station allows data transfers and synchronization and supports battery recharging. Moreover, the provision of replica I/O ports ensures convenient connectivity to peripherals for full tablet functionality.

Specifications

I/O	1 x LAN (10/100/1000) 1 x VGA 1 x RS-232 2 x USB 3.0 host connectors 1 x DC-in (19V ± 5%)
Environment	Operating temperature: -20 ~ 50 °C (-4 ~ 122 °F) Storage temperature: -20 ~ 60 °C (-4 ~ 140 °F) Humidity: 5 ~ 95%
Certifications	CE, FCC, UL, CB
Dimensions	223.8 x 146.7 x 128.5 mm (8.81 x 5.77 x 5.05 in)
Weight	820 g (1.80 lb)



No.	Component	Function
1	LAN port	Connect an RJ-45 cable to access LAN connection
2	VGA port	Connect a VGA port to connect to another monitor
3	Serial port	Connect a serial cable to connect to another PC
4	USB ports	Connect USB connectors to transfer data
5	DC-in	Connect the AC adapter to charge the battery

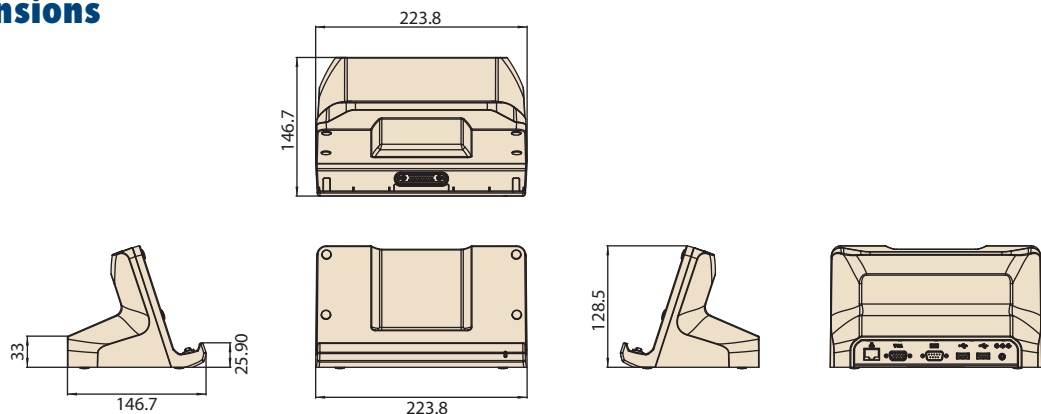
Note: To prevent damage to the desk docking station, only use the desk docking station with PWS-870/872 tablets.

Ordering Information

Part Number	Description
PWS-870-CRADLE00E	Desk docking station for PWS-870/872

Note: This product does not include a power adapter. Use the standard tablet power adapter.

Dimensions



Unit: mm

PWS-872

10" Industrial-Grade Tablet with 7th Generation Intel® Core™ i3/i5/i7/ Celeron® Processor



Features

- 7th generation Intel® Core™ i3/i5/i7/Celeron® processor with integrated Intel® Turbo Boost technology
- 10.1" high-brightness WUXGA LED display with scratch-resistant Corning® Gorilla® Glass 3 panel
- Multi-touch PCAP touchscreen with support for gloved operation
- Rugged design with MIL-STD-810G certification, IP65 rating, and 4-ft. drop tolerance
- 4G LTE, WLAN (802.11 a/b/g/n/ac), Bluetooth 4.1, and GPS modules with BeiDou/GLONASS support
- Built-in front and rear cameras, 1D/2D barcode scanner, and NFC RFID reader
- Hot-swappable battery supports up to 11 hours operation*
- Microsoft® Windows 10 OS
- Optional peripherals include vehicle docking station, desk docking station, and multiple extension modules



Introduction

PWS-872 is an industrial-grade tablet equipped with an Intel® Core™ i3/i5/i7/Celeron® processor, 10.1" WUXGA LED display with multi-touch PCAP control, mSATA SATA III SSD storage, multiple I/O, and Wi-Fi (802.11 a/b/g/n/ac), NFC, 3G/4G LTE, and Bluetooth 4.1 communication technologies. The built-in front (2M) and rear (8M) cameras, 1D/2D barcode scanner, and NFC reader provide convenient data collection tools, and the high-brightness sunlight-readable display supports outdoor applications. For mobile field-service applications, PWS-872 can be integrated with a hot-swappable external battery that supports up to 11 hours operation to enable long-duration use. Designed for harsh environments, PWS-872 is also MIL-STD-810G certified for shock and vibration tolerance, IP65 rated for protection from water and dust ingress, and can withstand drops of up to 4 ft. Moreover, PWS-872 can be integrated with a wide range of peripherals, such as a vehicle docking station, multi-bay battery charger, universal cover, and various I/O extension modules, to provide application-specific solutions.

Specifications

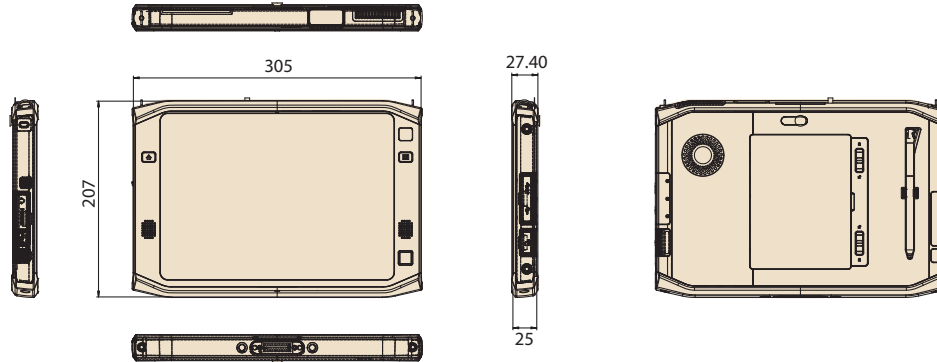
Core	CPU & Chipset	Intel® Celeron® 3965U, 2.2 GHz Intel® Core™ i3-7100U, 2.4 GHz Intel® Core™ i5-7300U, 2.6 GHz (3.5 GHz Intel® Turbo Boost) Intel® Core™ i7-7600U, 2.8 GHz (3.9 GHz with Intel® Turbo Boost)	
	Memory	SODIMM DDR4, 2100 MHz (up to 16 GB)	
	Storage	mSATA SATA III SSD (64 GB ~ 1 TB)	
Display	Display	10.1" WXGA LED LCD with 1280 x 800 resolution, 300-nit brightness, anti-glare surface for sunlight readability, and LED backlight	
	Touch Panel	Multi-touch projected capacitive touchscreen with scratch-resistant Corning® Gorilla® Glass 3 panel and support for gloved operation	
	Sensor	Ambient light, accelerometer (g-sensor), e-compass, gyroscope (0°, 90°, 270° screen rotation)	
System	WLAN+Bluetooth	IEEE 802.11 a/b/g/n/ac wave 2 + Bluetooth 4.1 EDR	
	WWAN	4G LTE, HSPA+/UMTS, GSM/GPRS/EDGE (optional) PLS8-E for EU 800/900/1800/2600, PLS8-X for US 700/850/AWS/1900 (optional)	
	GNSS	Integrated GPS, BeiDou, GLONASS	
	Camera	Front: 2 megapixel CMOS sensor camera with video streaming support Rear: 8 megapixel CMOS sensor camera with LED flash and auto focus	
	Data Collection	Optional 1D barcode scanner (Honeywell N4313), 2D barcode scanner (Honeywell N3680), and NFC RFID reader (13.56 MHz, supports ISO14443A/B, ISO15693, MIFARE, FelIca)	
	Security	1 x Fingerprint scanner (optional), 1 x Trusted Platform Module 1.2, 1 x Kensington Security Slot	
	Audio	2 x 2W speakers, 1 x microphone	
	Input	Multi-touch projected capacitive touchscreen, 2 x programmable buttons, 5 x programmable capacitive touch sensor inputs, 1 x capacitive stylus, on-screen QWERTY keyboard	
	LED Indicators	Power, battery, RFID	
	I/O		2 x USB 3.0, 1 x USB 2.0 1 x HDMI 1.4 1 x SD card slot (SDXC/UHS1/UHS2) 1 x Audio combo jack (line-in/line-out) 1 x DC-in 1 x SIM slot 1 x Docking port (32 pin) (USB 3.0, USB 2.0, PCIe 2.0, DisplayPort)
		Battery	Main battery: 4S1P 14.4V 2730mAh Hot-swappable external battery: 4S2P 14.4V 4080mAh (supports up to 11 hours operation*)
		Power Input	19V ± 5%
Environment	OS	Microsoft® Windows 10 IoT (64 bit), Linux Ubuntu1604	
	Temperature	Operating: -20 ~ 50 °C/-4 ~ 122 °F (0 ~ 40 °C/32 ~ 104 °F when charging to protect the battery) Storage: -40 ~ 60 °C (-40 ~ 140 °F)	
	Humidity	5 ~ 95% @ 40 °C/104 °F	
	IP Rating	IP65	
	Drop Tolerance	Up to 4 ft.	
Certification	Vibration/Shock	MIL-STD-810G	
	EMC/RF	CE/FCC/CCC/SAR*	
	Safety	UL/CE/CB/CCC	
	Mobile Device Management	SOTI compatible	
Mechanical	Dimensions (L x W x H)	305 x 207 x 25/27 mm (12 x 8.14 x 0.98/1.06 in)	
	Weight	1.5 Kgs (3.30 lb)	

* The estimated battery life is based on MobileMark® 2014 benchmark. Actual battery performance will vary according to system settings and configuration.

* WiFi certification only; LTE certification by project.

Dimensions

Unit: mm



System I/O

PWS-872 Front/Rear View



1. 2M camera
2. Home key (programmable)
3. Function key
4. Speakers
5. Fingerprint scanner
6. Programmable capacitive touch input
7. 8M AF camera with flash
8. Fan
9. NFC reader
10. Capacitive stylus
11. Latch (for external battery)

PWS-872 Right/Left Side View



1. Kensington Security Slot
2. Power button
3. Audio combo jack
4. HDMI connector (1.4)
5. USB 3.0 port
6. DC-in
7. Screw hole for extension modules
8. USB 3.0 port
9. USB 2.0 port
10. SD card slot (SDXC)

Ordering Information

Standard SKU	Configuration											RFID reader	Barcode scanner	Fingerprint scanner
	CPU	LCD	Memory	Storage	Front camera	Rear camera	Wi-Fi	BT	GPS	4G	OS			
PWS-872-CS6W0X000	Celeron	Standard (without capacity hot keys)	DDR4 4GB	SSD 64GB (0-70 °C)	-	-	Yes	Yes	-	-	Win 10 IoT	-	-	-
PWS-872-CS6W0X200	Celeron	Standard (without Capacity Hot Key)	DDR4 4GB	SSD 64GB (0-70°C)	Yes	Yes	Yes	Yes	-	-	Win10 IoT	-	2D	-
PWS-872-3S6W0X000	Core i3	Standard	DDR4 4GB	SSD 64GB (0-70 °C)	Yes	Yes	Yes	Yes	-	-	Win 10 IoT	-	-	-
PWS-872-3S6W4X200	Core i3	Standard	DDR4 4GB	SSD 64GB	Yes	Yes	Yes	Yes	-	LTE-US	Win 10 IoT	-	2D	-
PWS-872-3S6W6X200	Core i3	Standard	DDR4 4GB	SSD 64GB	Yes	Yes	Yes	Yes	-	LTE-EU	Win 10 IoT	-	2D	-
PWS-872-5S6W4X200	Core i5	Standard	DDR4 4GB	SSD 64GB	Yes	Yes	Yes	Yes	-	LTE-US	Win 10 IoT	-	2D	-
PWS-872-5S6W6X200	Core i5	Standard	DDR4 4GB	SSD 64GB	Yes	Yes	Yes	Yes	-	LTE-EU	Win 10 IoT	-	2D	-
PWS-872-7S6W4X200	Core i7	Standard	DDR4 4GB	SSD 64GB	Yes	Yes	Yes	Yes	-	LTE-US	Win 10 IoT	-	2D	-
PWS-872-7S6W6X200	Core i7	Standard	DDR4 4GB	SSD 64GB	Yes	Yes	Yes	Yes	-	LTE-EU	Win 10 IoT	-	2D	-

Packing List

Part Number	Description
96PSA-A65W19V1-1	1 x 65W adapter
9680015843	1 x Capacitive stylus

PWS-870/872 Peripherals

Optional Accessories and Extension Modules for the PWS-870/872 Series



Universal Cover Package



Features

- Material: Plastic, PVC
- Color: Black
- Dimensions: 305 x 254.2 x 88.4 mm (12 x 10 x 3.48 in)
- Weight: 500 g (1.10 lb)
- Package contents: Universal cover with handle, stand, strap, and holster options

Extension Modules

MSR and Smart Card Reader



Features

- Smart Card Reader
 - ISO 7816 PC/SC
 - EMV 4.0 Level 1
 - Supports I2C memory cards (SLE4418, SLE4428, SLE4432, SLE4442, SLE4436, SLE5536, SLE6636, AT88SC1608, AT45D041)
- Magnetic Stripe Reader
 - MagneSafe™ IntelliHead
 - Supports US 7810, ISO 7811/AAMVA
 - Read speed: 6 ~ 60 IPS (15.4 ~ 12.4 cm)
 - Triple DES encryption
 - DUKPT key management
- Operating temperature: -20 ~ 50 °C (-4 ~ 122 °F)
- Storage temperature: -20 ~ 60 °C (-4 ~ 140 °F)
- Dimensions: 192.2 x 40.2 x 25 mm (7.56 x 1.58 x 0.98 in)
- Weight: 120 g (0.26 lb)

Additional I/O



Features

- Interfaces: 1 x USB 3.0 (type A, 5V/0.9A), 2 x RS-232 (D-sub 9), 1 x 10/100/1000 Ethernet (RJ45)
- Operating temperature: -20 ~ 50 °C (-4 ~ 122 °F)
- Dimensions: 192.2 x 45.2 x 25 mm (7.56 x 1.77 x 0.98 in)
- Weight: 140 g (0.30 lb)

Optional Accessories and Extension Modules for the PWS-870/872 Series

External Battery



Features

- Capacity: 14.8V 4080mAh
- IP rating: IP65
- Dimensions: 141.2 x 106.2 x 17 mm (5.55 x 4.18 x 0.66 in)
- Weight: 385 g (0.84 lb)

Multi-Bay Battery Charger



Features

- Supports up to 4 external batteries
- Charging time: 4 hr
- Charge status LED indicators
- Screw holes for secure installation
- Power input: 19.5V/7.7A
- Dimensions: 214.4 x 229.4 x 60 mm (8.44 x 9.03 x 2.36 in)
- Weight: 1.4 kg (3.08 lb)
- Packing material: XAASC-FSP150-RFBN2 (1 x 150w adapter)

Active Pen (for PWS-872)



Features

- Operating frequency: 90 ~ 250 KHz
- Operating temperature: 0 ~ 50 °C (32 ~ 122 °F)
- Buttons: 2 x side buttons (eraser, barrel)
- Battery: 1 x AAAA (replaceable)
- Dimensions: 140 x 9.7 mm (5.51 x 0.38 in)
- Weight: 70 g (0.15 lb)

Screen Protection Film (for PWS-872)



Features

- 10.1" replacement anti-glare screen protection film

Ordering Information

Part Number	Description
PWS-870-UCOVER00E	Universal cover package (for PWS-870/872 series)
PWS-870-EXT300E	MSR and smart card reader (for PWS-870/872 series)
PWS-870-EXT100E	I/O extension module (for PWS-870/872 series)
PWS-870-BAT100E	External battery (for PWS-870/872 series)
PWS-870-MBC00E	Multi-bay battery charger (for PWS-870/872 series)
PWS-872-ACTPEN	Active pen (for PWS-872)
PWS-872-PROFILM	10.1" replacement screen protection film (for PWS-872)

PWS-870 / 872 Peripherals

Vehicle Docking Station for the PWS-870/872 Series



Features

- CAN 2.0 A/B (J1939) and OBDII (ISO 15765) protocol support for vehicle diagnostics
- Anti-theft locking mechanism
- External GPS SMA antenna
- Compatible with 12V/24 V vehicle power
- Ignition control
- Rapid device docking and removal
- Provides complete port replication
- Compliant with MIL-STD-810G and SAE J1455 for vibration and shock tolerance
- E-mark (E13) certified for vehicle safety

Introduction

The vehicle docking station supports both the PWS-870 and PWS-872 series. Designed to provide a stable platform for in-vehicle mounting and battery recharging, the vehicle docking station is equipped with a locking mechanism to prevent theft. Replica I/O ports are provided to ensure convenient I/O access for full tablet functionality. Moreover, with the added provision of CAN bus support for vehicle diagnostics, the vehicle docking station provides the ideal in-vehicle solution for diverse automobile applications, including warehouse forklifts and police, fire brigade, and ambulance fleets.

Specifications

I/O	HDC	1 x HDC connector 1 x RS-232, 1 x CAN 2.0 A/B (supports J1939) with OBDII protocol (supports ISO 15765), 1 x line-in, 1 x line-out, 2 x DI, and 2 x DO
	HDC I/O	
	USB	2 x USB 3.0 (locking type)
	Ethernet	1 x 100/1000 LAN (M12)
	SMA for GPS	1 x for external GPS antenna
DC-In		1 x Power jack (M12) 19V ± 5% (can be paired with a vehicle adapter (PWS-770-CAD1200E/PWS-770-CAD2400E/PWS-770-CADAP00E) or DC-in (M12) adapter cable (1700021797-01)
Environment	IP Rating	IP54 (with tablet docked and all cables connected)
	Operating Temperature	-20 ~ 50 °C/-4 ~ 122 °F (0 ~ 40 °C/32 ~ 104 °F when charging) with tablet docked
	Storage Temperature	-40 ~ 85 °C (-40 ~ 185 °F)
Certifications	Vibration/Shock	MIL-STD-810G, Method 514.5; SAE J1455
	EMC	CE, FCC
	Safety	UL, CB
	Vehicle Safety	E-mark (E13) (when paired with PWS-770-CAD1200E/PWS-770-CAD2400E)
Mount Options	VESAs (75 x 75 mm)	
Weight	950 g (2.09 lb)	
Dimensions	240.5 x 280.9 x 95.4 mm (9.46 x 11.05 x 3.75 in)	

Ordering Information

Part Number	Description (for PWS-870/872 series)
PWS-870-VCRADLE00E	Vehicle docking station with LAN cable and M12(M) to 8P/RJ45(F) cable (5 cm)
PWS-870-VCRADLE01E	Charge-only vehicle docking station
PWS-870-VMOUNT00E	Vehicle docking station without I/O
PWS-770-CADAP00E*	Vehicle power DC 10 ~ 32V 90W (120cm) to cigarette lighter adaptor with M12 connector
PWS-770-CAD1200E*	Vehicle power DC 10 ~ 32V 90W adaptor with 12V relay (120 cm) and M12 connector
PWS-770-CAD2400E*	Vehicle power DC 10 ~ 32V 90W adaptor with 24V relay (120 cm) and M12 connector
1700021797-01	M12 connector to DC-in cable (10 cm) Note: Connect the PWS-870/872 vehicle docking station DC-in port (M12) to the power jack adapter (96PSA-A65W19V1-1)
PWS-870-CHDC00E	Vehicle docking station HDC cable (200 cm), supports 1 x RS-232, 1 x CAN 2.0, 2 x DI, 2x DO, 1 x line-in, 1 x line-out
PWS-770-GPSAN00E	GPS antenna cable 5.5V 22mA (500 cm)
RAM-MOUNT-06E	5.625" double socket arm for 1.5" ball base, 3.625" VESA base at both sockets
RAM-MOUNT-07E	5.625" double socket arm for 1.5" ball base (1 socket with 3.625" VESA base, 1 socket with flat 2.5" diameter base AMPS hole pattern)
PWS-870-VDOCK-CBE	Vehicle docking starter cable kit (power cable, HDC cable, and GPS antenna)

Notes:

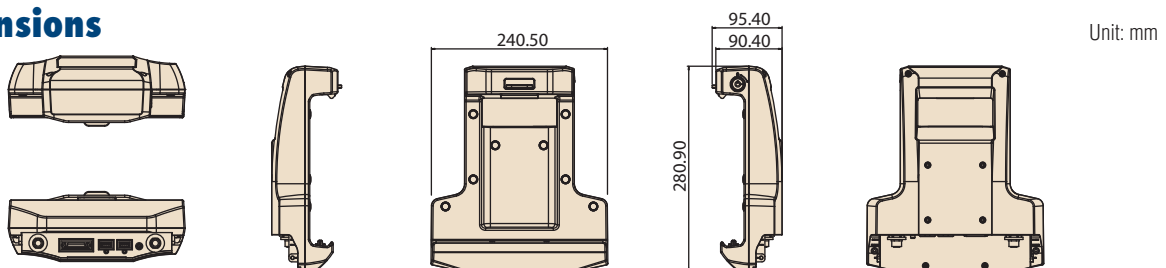
1. The PWS-870/872 vehicle docking station includes a LAN cable for M12-to-RJ45 connector. The vehicle adapter is optional. Do not attempt to connect the vehicle adapter M12 plug to the tablet's DC-in port.
2. Advantech strongly recommends initially purchasing the starter cable kit and power adapter for evaluation (suitable power adapters are marked*)

Underside I/O



1. 1 x LAN 100/1000 (M12)
2. 1 x GPS SMA
3. 2 x USB 3.0 (locking type)
4. 1 x HDC: 1 x RS232, 1 x CAN 2.0, 2 x DI, 2 x DO, 1 x line-in, 1 x line-out
5. 1 x DC-in (M12)

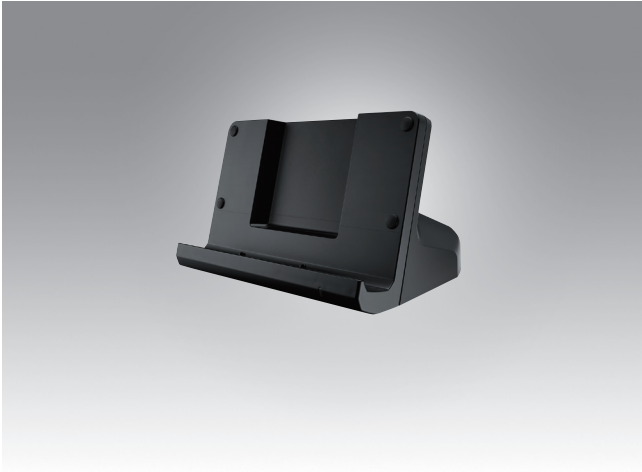
Dimensions



Unit: mm

PWS-870 / 872 Peripherals

Docking Station for the PWS-870/872 Series



Features

- Provides complete port replication for PWS-870/872 tablets
- Wide operating temperature range (-20 ~ 50 °C/-4 ~ 122 °F)

Introduction

The desk docking station supports both the PWS-870 and PWS-872 series. Designed to provide a stable platform for positioning the tablet on a desk or countertop, the desk docking station allows data transfers and synchronization and supports battery recharging. Moreover, the provision of replica I/O ports ensures convenient connectivity to peripherals for full tablet functionality.

Specifications

I/O	1 x LAN (10/100/1000) 1 x VGA 1 x RS-232 2 x USB 3.0 host connectors 1 x DC-in (19V ± 5%)
Environment	Operating temperature: -20 ~ 50 °C (-4 ~ 122 °F) Storage temperature: -20 ~ 60 °C (-4 ~ 140 °F) Humidity: 5 ~ 95%
Certifications	CE, FCC, UL, CB
Dimensions	223.8 x 146.7 x 128.5 mm (8.81 x 5.77 x 5.05 in)
Weight	820 g (1.80 lb)



No.	Component	Function
1	LAN port	Connect an RJ-45 cable to access LAN connection
2	VGA port	Connect a VGA port to connect to another monitor
3	Serial port	Connect a serial cable to connect to another PC
4	USB ports	Connect USB connectors to transfer data
5	DC-in	Connect the AC adapter to charge the battery

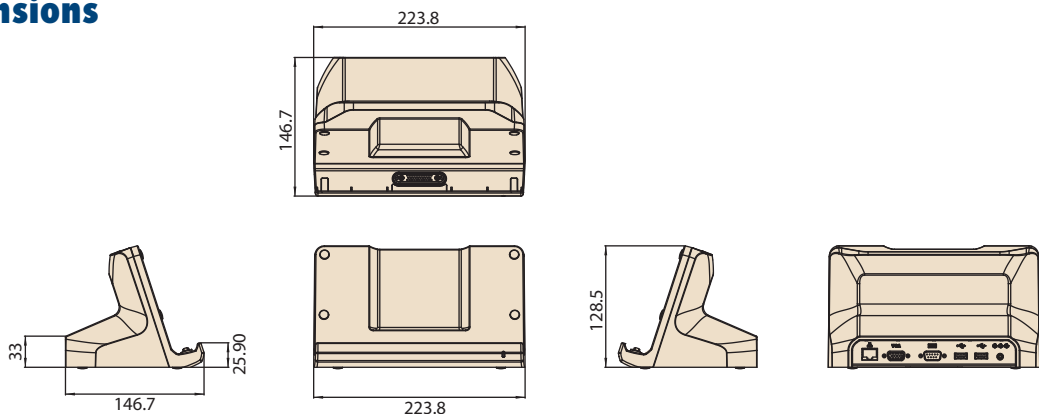
Note: To prevent damage to the desk docking station, only use the desk docking station with PWS-870/872 tablets.

Ordering Information

Part Number	Description
PWS-870-CRADLE00E	Desk docking station for PWS-870/872

Note: This product does not include a power adapter. Use the standard tablet power adapter.

Dimensions



Unit: mm