

PPC-6171C

17" Configurable Panel PC Chassis for Selectable Mini-ITX Motherboards



Features

- 17" true-flat panel PC with resistive touch
- Supports certified mini-ITX motherboards (up to 65W TDP processor)
- PCI or PCIe expansion slots
- Front-facing power status LED indicators
- IP66-rated front panel

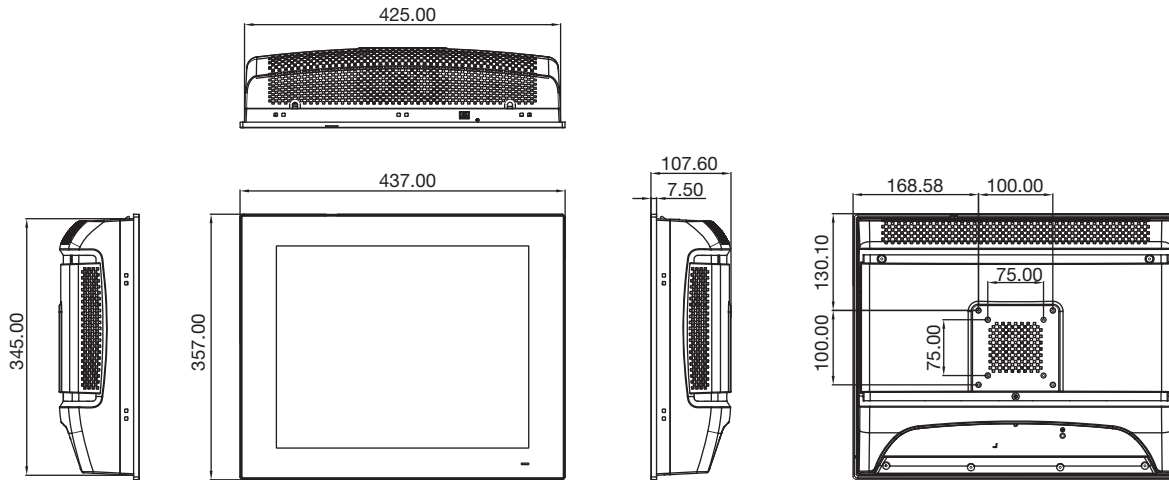


Specifications

Model	PPC-6171C-RTAE	
Supported Motherboard	PPC-MB series	
Chassis	Storage	1 x 2.5" SATA HDD bay/2 x 2.5" SATA HDD bay (optional)
	I/O	4 x Reserved ports (DB9) 2 x WLAN antenna holes 1 x AC inlet 1 x Power switch Reserved opening: According to the PPC-MB series motherboard specifications
		Expansion
	Speaker	2 x 1 W
	Fan	2 x 12V; 60 x 60 x 15 mm (2.36 x 2.36 x 0.59 in)
	Physical Characteristics	Dimensions (W x H x D)
Weight		5.4 kg (11.9 lb)
OS Support	According to motherboard specifications	
Power Consumption	Input Voltage	100 ~ 240 V _{AC} , 250W
	Power Consumption	125W with PPC-MB-8260 165W with PPC-MB-610 140W with PPC-MB-620
LCD	Display Type	17" TFT LED panel
	Max. Resolution	1280 x 1024
	Viewing Angle	80 (left), 80 (right), 60 (up), 80 (down)
	Luminance (cd/m ²)	350
	Contrast Ratio	800
	Backlight Lifetime	50,000 hr
Touchscreen	Touch Type	5-wire analog resistive, with optional projected capacitive touch
	Light Transmission	80+/-5%
	Controller	USB interface
	Durability	35 million touches
Environment	Operating Temperature	0 ~ 50 °C (32 ~ 122 °F)(With 35W CPU) 0 ~ 45 °C (32 ~ 113 °F)(With 65W CPU) *** please refer to the PPC-MB series CPU list
		Storage Temperature
	Relative Humidity	95% @ 40 °C (non-condensing)
	Shock	Operating: 10 G peak acceleration (11 ms duration), IEC 60068-2-27 compliant
	Vibration	Operating: Random vibration test 5 ~ 500 Hz, 2 Grms @ with SSD, IEC 60068-2-64 compliant
	EMC	CE,FCC,Class A,UKCA,VCCI
	Safety	CB,CCC,UL,UKCA
	Front Panel Protection	IP66 compliant

Dimensions

Unit: mm



Panel Cutout Dimensions: 427 x 347 mm (16.81 x 13.66 in)

Ordering Information

M/B Part Number	Chassis Part Number	Cooler Part Number
PPC-MB-8260B / PPC-MB-610B	PPC-6171C-RTAE	1960053207N001
PPC-MB-620A/ PPC-MB-620B	PPC-6171C-RTAE	1970005354T001

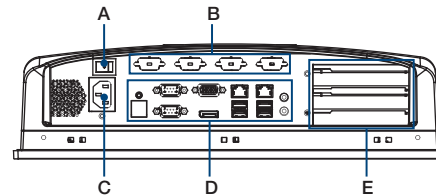
Note 1. The motherboard, chassis, and cooler should be ordered together to ensure easy configuration.
 Note 2. The chassis is equipped with AC power supply and riser cards.

Optional Accessories

Part Number	Description
PPC-WLAN-D1	M.2, WiFi6 +BT5.2, 2T2R, w/Antenna, Mini PCIe adapter (only for PPC-MB-8260)
PPC-WLAN-D2	M.2, WiFi6 +BT5.2, 2T2R, w/Antenna (only for PPC-MB-6x0)
1702002605	Power cable (EU) 90D 220 ~ 250V/6A, 1.8 M
1702002600	Power cable (US) 180D 125V/10A, 1.83 M
1702031801	Power cable (UK), 1.8 M
96CB-POWER-B-1.8MA	Power cable (China), 1.8 M
9893BE0200E	Riser card with 2 x PCIe x1 slots
9893BE03000	Riser card with 1 x PCIe x1 and 1 x PCI slots
9893BE17000	Riser card with 2 x PCIe x8 slots (only for PPC-MB-6x0)
98R36151C20	Riser card with 1 x PCIe x16 slots (only for PPC-MB-6x0)
PPC-ARM-A03	ARM VESA Standard for PPC series
PPC-174T-WL-MTE	Wall mount kit for PPC series
PPC-Stand-A1E	Stand for PPC series
1700027838-01	Cable for two internal USB for PPC-MB-XXXX with I/O BKT
98R36151C10	the second 2.5" SATA HDD (only one riser card slots available)
98R3P612100	TPM2.0 module for PPC-MB-610

I/O View

PPC-6171C-RTAE



- A. Power switch
 - B. Reserved ports
 - C. AC inlet
 - D. PPC-MB-XXXX I/O port
 - E. Expansion x 2
- Note 1: The max. dimension of expansion cards supported is 205 x 107 x 40 mm.
 Note 2: If the two slots are to be used simultaneously, the max. dimension supported is 205 x 107 x 20 mm for each PCI or PCIe expansion card.
 Note 3: The max. power consumption of PCIe expansion card supported is 75W.
 Note 4: If use dual HDD kits, only one riser card slots available.

Please note: If some optional modules are offered with the system, additional system certificates may be required in certain regions/countries. Please contact Advantech for certificate compliance.