

PPC-IPS-AE

12~30 V_{DC} input/24 V_{DC} output,
Uninterruptible Power Supply Module



Features

- 50W (2.1A @ 24V) output, 25.2Wh with auto shut down function to PC
- With changeable battery pack for easy maintenance
- Wide Range power input for 12~30 V_{DC}
- Supports over discharging protection to extend battery life
- Metal enclosure supports VESA 75/ VESA 100 and DIN Rail mounting
- With status indicators for monitoring battery pack and input power
- With accessible switch for adjusting timing (30sec / 6 min), to execute auto shut down PC
- With free software utility for configuration and monitoring

Introduction

The lightweight and intelligent power management module, protect Panel PC from electrical damage and greatly reduce the risk of losing data. The IPS module serves as temporary power during a short break in power and allows a safe system shutdown. It can be easily to install on din rail or on the back of Panel PC.

Specifications

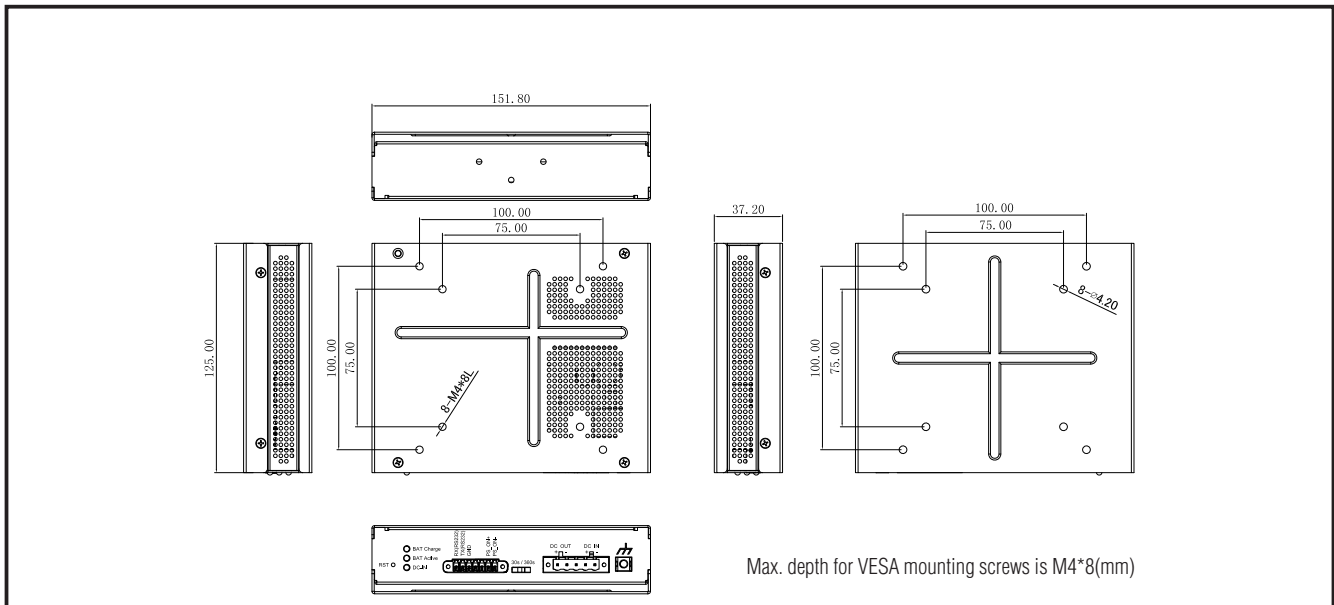
Input	Input Voltage	12~30 V
	Input power rating	90 W
	Charging current	2 A
Output	Output Voltage	24V +/-10%
	Max. output current	2.5 A
Battery	Battery Capacity	14.4 V _{DC} , 1750 mAH
	Cycle life	300 times of charge circle (Above 60% capacity compared to the initial state)
Protection	Short-circuit protection	Yes
	Over discharge protection	IPS shuts down when 5% of battery capacity (Default)
Certification	EMC	CE, FCC, CCC, BSMI
	Safety	UL, CB, CCC, BSMI
Dimensions		151.8 x 125 x 37.2 mm (5.98" x 4.92" x 1.46")
Environment	Operating Temperature	0~50°C (Din rail mounting) 0~45°C (VESA mounting, secured with PPC)
	Storage Temperature	-20~50°C
	Relative Humidity	10 ~ 95% @ 40°C (non-condensing)
	Shock Operating	10 G peak acceleration (11 ms duration), follow IEC 60068-2-27
	Vibration	Operating Random Vibration Test 5~500Hz, 1Grms, follow IEC 60068-2-64
I/O Connectors		PS_ON to shut down PC RS-232 for monitoring and setting IPS

VESA Mount

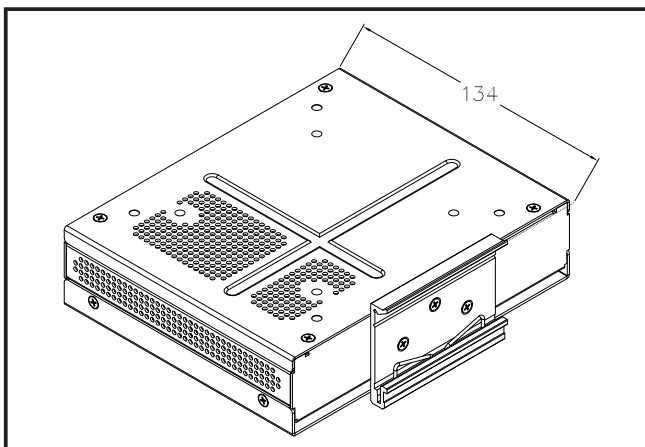


Din-rail Mount

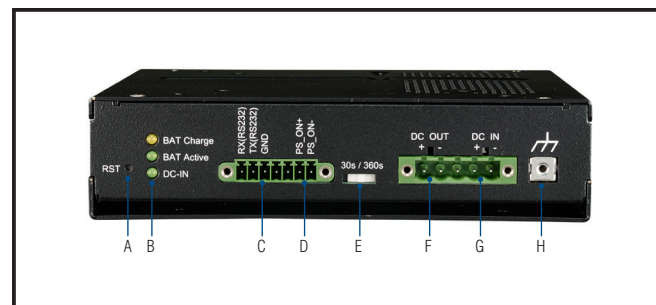




Din-rail Dimensions



I/O Appearance



- A. System reset
- B. Status indicators
- C. RS-232 (for connecting a PC)
- D. PS_ON (to shutdown PC)
- E. Time switch (for setting auto shutdown)
- F. DC out (2 pins)
- G. DC input (2 pins)
- H. Grounding

Ordering Information

Part No.	Description
PPC-IPS-AE	12-30 V _{DC} input/24 V _{DC} output, Uninterruptible Power Supply Module
98R3612001E	PPC-IPS power cable 1 m
98R3612002E	PPC-IPS control cable 1 m
1760001866-01	PPC-IPS battery pack (spare part)

Note: The PPC-IPS-AE is equipped with a battery pack / 300 mm power cable / 300 mm control cable.

If a longer cable is needed, the customer can order the 1 meter 98R3612001E and 98R3612002E cables.

The PPC-IPS-AE only currently supports the PPC-3000 series, please contact Advantech first for operating with other PC systems.

PPC-174T-WL-MTE

Wall Mount Kit For All PPC Models



Features

- Includes VESA standards: 75 x 75 mm and 100 x 100 mm hole pattern bracket
- Panel adjustable: 360°
- Panel up & down adjustable: 46°
- Panel left & right swivel : 46°
- Max. Load-bearing: 15 Kg

Introduction

The PPC-174T-WL-MTE fits all 6" ~ 21.5" PPC products, and is designed using metals. After many thousands of torque tests, this stand ensure that PPCs products won't change their position.

Specifications

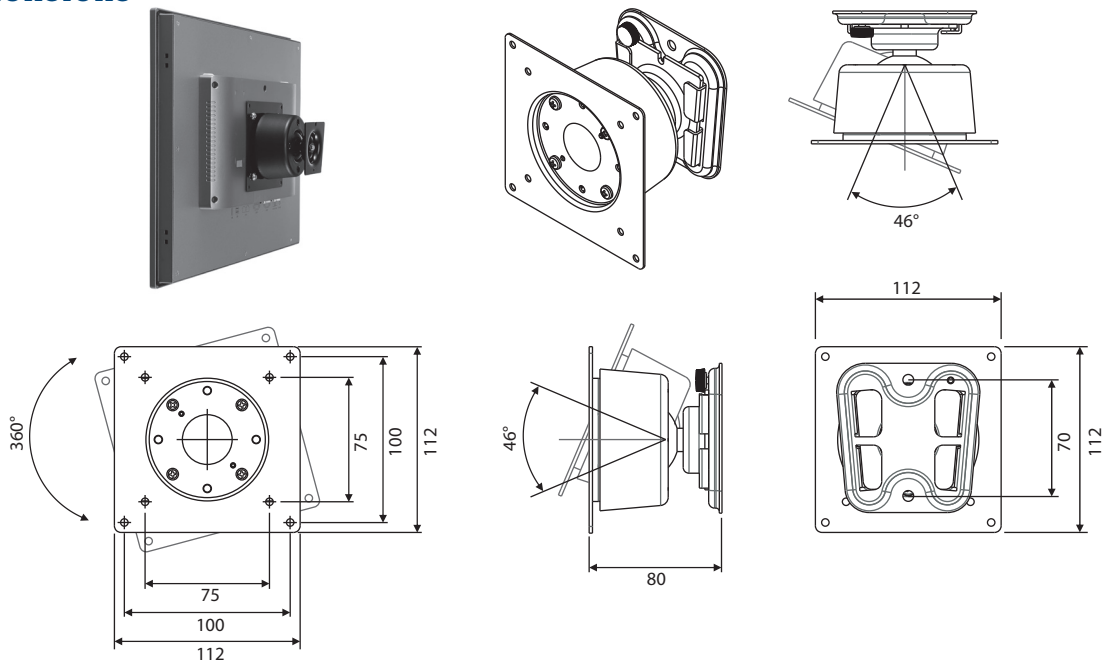
- **Net weight** 0.52kg
- **Distance from wall** 80 mm
- **Max. Load-bearing** 15kg

Ordering Information

- **PPC-174T-WL-MTE** Wall Mount Kit for all PPC Models

Dimensions

Unit: mm



PPC-ARM-A03

Table Arm For All PPC Models



Features

- Includes VESA standards: 75 x 75 mm and 100 x 100 mm hole pattern bracket
- Special design C-Clamp fits any surface
- Max. Load-bearing: 10 kg

Introduction

The PPC-ARM-A03 fits all 6" ~ 21.5" PPC products, and is designed using aluminium alloy and plastic materials. After many thousands of torque tests, this stand ensure that PPCs products won't change their position.

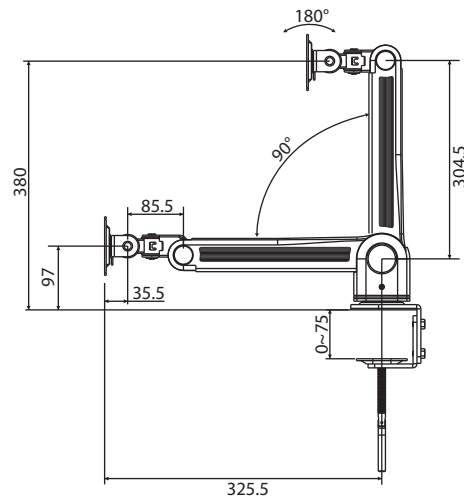
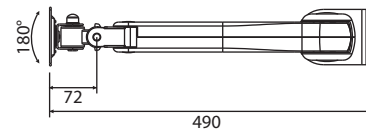
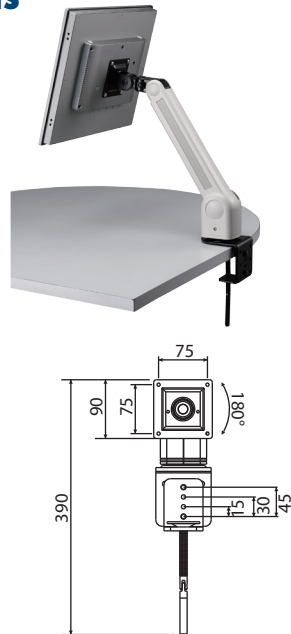
Specifications

- **Horizontal distance** 315mm
- **Vertical distance** 285mm
- **Arm rotation** 360°

Ordering Information

- **PPC-ARM-A03** Table Arm for all PPC Models

Dimensions



Unit: mm

PPC-STAND

Stand Kit For All PPC Models



Features

- Includes VESA standards: 75 x 75 mm and/or 100 x 100 mm hole pattern bracket
- Texture of material aluminum
- Modern appearance
- Max. Load-bearing: 10 kg

Introduction

The PPC-STAND fits all 6"-21.5" PPC products, and is designed using aluminium alloy and plastic materials. After many thousands of torque tests, this stand ensure that PPCs products won't change their position.

Specifications

- **Net weight** 7.5 KG
- **Dimensions** 259 x 190 x 354/283 mm
- **Max. Load-bearing** 10kg

Ordering Information

- **PPC-STAND-A1E** Stand Kit for all PPC Models

Front

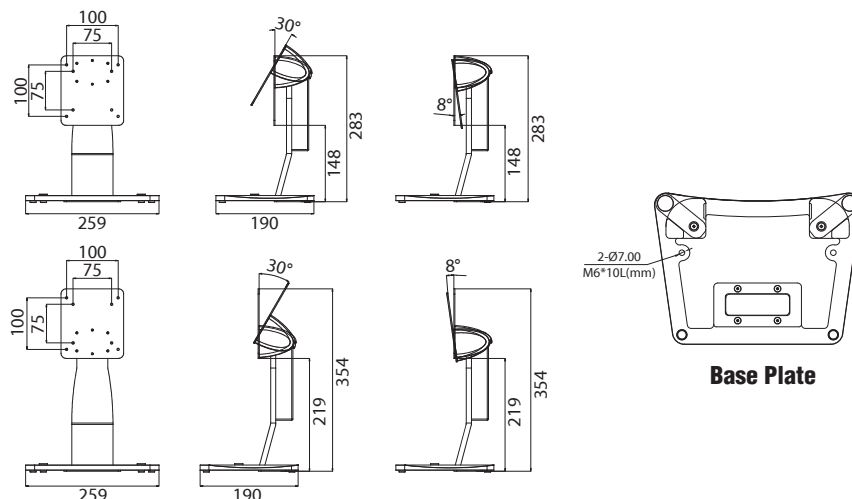


Rear



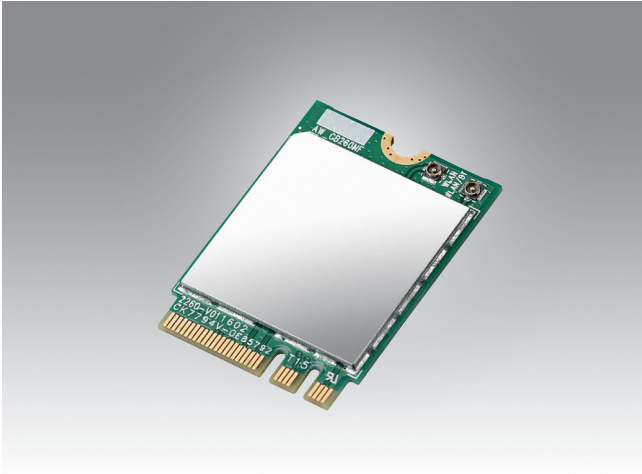
Dimensions

Unit: mm



PPC-WLAN-C1E

802.11 ac/a/b/g/n + Bluetooth 4.2 M.2 2230 (A-E Key) Card



Specifications

Main Chipset	QCA6174-5
Tx/Rx	2Tx/ 2Rx (2 IPEX MHF4 connector Receptacle)
Standard Conformance	802.11 ac/a/b/g/n
Form Factor	M.2 2230, A-E Key card
Interface	WiFi: PCI-E, Bluetooth: USB
Operation Voltage	DC 3.0 ~ 3.3V
Power Consumption	Continue TX: 537mA (Avg.), (BT off, BW 80MHz)
Security	WEP 64-bit and 128-bit encryption with H/W TKIP processing WPA/WPA2 (Wi-Fi Protected Access) AES-CCMP hardware implementation as part of 802.11i security standard
O.S Supported	Windows 7/8.x/10
Temperature Ranges	Operating Temperature: -20 ~ 65°C Extended Operating Temperature: -20 ~ 85°C (There will be 30~50 Mbps reduced throughput at some data rate at 85°C)
Dimensions (L x W x H)	22 x 30 x 2.2 mm

Ordering Information

Part No.	Product Description
PPC-WLAN-C1E	Advantech Brand, 802.11 ac/a/b/g/n, QCA6174A-5, 2T2R, w/ BT4.2 (Low energy operation) w/Antenna, Cable, Mini PCIe Adapter

Regulation

The PPC-WLAN-C1E adopts QCA6174A single chip solution and meets it's reference design QCNFA364A module regulations with Anatel certification number 02563-15-06534.

Features

- IEEE 802.11 ac/a/b/g/n + Bluetooth 4.2 HS standard
- 2Tx/ 2Rx
- WEP/WPA/WPA2 AES-CCMP hardware implementation as part of 802.11i security standard
- Operating temperature: -20 to 65 °C
- With M.2 (E Key) to Mini PCIe Adapter
- With 2.4/5G Hz dipole Antenna and 425 mm Coaxial Cable

Dimensions

unit: mm

WIFI/BT Module
M.2 to Mini PCIe Adapter
WIFI/BT Module + M.2 to Mini PCIe Adapter
Cable Length