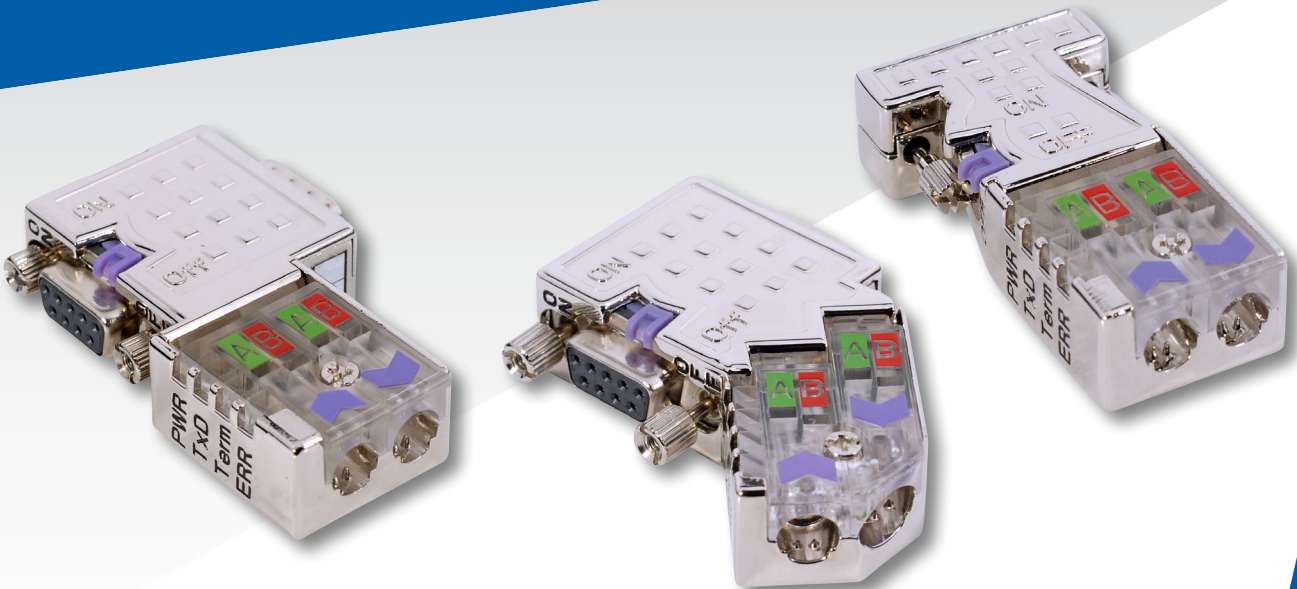


profichip® EasyConnPB

Profibus Connector



The fully visible diagnostic LEDs facilitate the installation considerably. Users can immediately check the status of bus activity, termination resistors, power supply and bus status. The integrated controller supports transmission rate of up to 12 MBit/s.

Features

- Cable slots with transparent covers for high visibility (wiring, position of screen and cable)
- Full metal construction for noise immunity and harsh environment
- State monitoring via integrated LEDs for bus diagnosis
- Comfortable IDC technology for fast and reliable wire connection
- Captive single-screw-mounting system - no loose parts
- Integrated switchable termination resistor
- Integrated programming / diagnostic port
- Supporting stranded wire types:
LAPP Art. No. 2170222, 2170822, 2170322

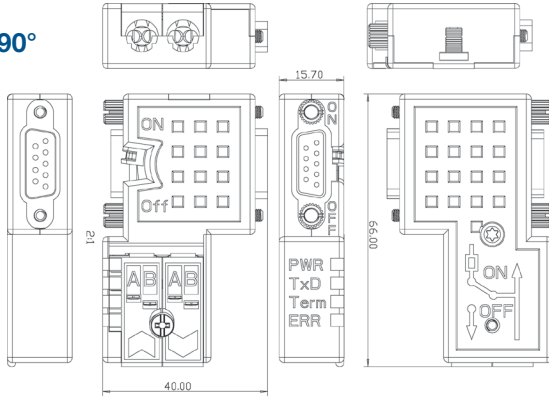
Standard bus line for fixed and flexible wiring Features:

- Bus line according to DIN 19245 and EN 50170
- Two wires stranded (Red/Green)
- Sheathing PVC mixture (violet, RAL4001)
- Flame-retardant according to VDE 0472, part 804, Test procedure B (IEC 332.1)
- Use of stranded wire,
(Lapp Cable Art. No. 2170222, 2170822, 2170322)

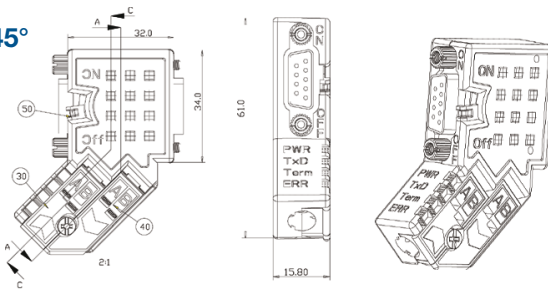
profichip® EasyConnPB



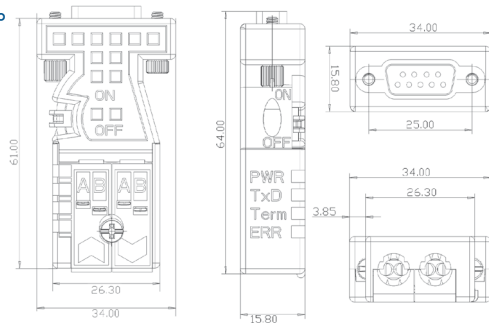
P972-ODP10 - 90°



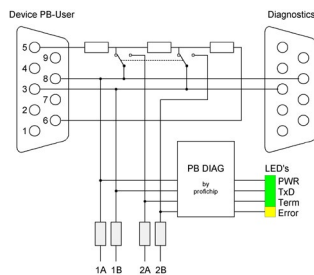
P972-ODP20 - 45°



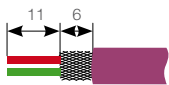
P972-ODP30 - 0°



Wiring diagram - Connector 90°



Insulation Stripping



Technical Data		EasyConn PB	
Connection Profibus	Profibus 9pole SubD pin headers		
Connection PG/diagnostics	9pole SubD socket*		
Insertion (withdraw.) cycle	min. 200		
Cable diameter	8 mm		
Fixing screws/max. tightening torque	4-40 UNC/0.4 Nm		
Material enclosure		die-cast zinc	
Protection	IP 20		
Voltage supply (from the terminal)	DC 4.75 to 5.25 V		
Power input	max. 30 mA		
Temperature range	-20°C to +75°C		
Insulation stripping lengths	incoming bus line	outgoing bus line	
Outer sheath	17 mm	17 mm	
Shield	11 mm	11 mm	
Connection technology	IDC technology		
Bus line	fixed wire Type A (EN 50 170)		
	stranded wire (e.g. Lapp/LEONIE) Type A (EN 50 170)		
Linear expansion/Transm. speed		max. segment lengths	
9.6/19.2/45.45/93.75 kBit/s	1200 m		
187.5 kBit/s	1000 m		
500 kBit/s	400 m		
1500 kBit/s	200 m		
3000/6000/12000 kBit/s	100 m		
Standard bus line		VDE 0472, Teil 804	
Flame retardant	B (IEC332.1)		
Test procedure	1 x 2 x 0.64 mm		
Pair number/wire diameter	7.8 mm		
External diameter	26 kg/km		
Copper number	57 kg/km		
Weight aprox.	150 ±15 Ω		
Surge impedance	max. 30 nF/km		
Op. capacitance (800 Hz)	250 V (not for heavy current usage)		
Operating peak voltage	1500 V		
Test voltage core/core Ueff	max. 110 Ω/km		
Wire resistance (loop)	75 mm		
Min. bend radius	-40°C to +70°C		
Temperature range	Ordering information		
EasyConn PB 90°		PA003135 - PA003125 (without integrated diagnosis)	
EasyConn PB 45°		PA003121	
EasyConn PB 0°		PA003122	
EasyStrip (Stripping tool)		PA003160	

Switch	PWR	TxD	Term	ERR	Description
ON/OFF	green	green	green	yellow	
x	●	x	x	x	Power is OK (+5 V ±5 %)
x	⊛	x	x	x	Power is out of +5 V ±5%
x	⊛	x	x	⊛	Short-circuit of bus wire possible
x	x	○	x	x	No bus activity of participant
x	x	⊛	x	x	Bus activity of participant
x	x	●	x	x	Bus activity, RTS (pin 4) of RS485 is not connected
OFF	x	x	○	x	Termination is switched off
OFF	x	x	⊛	x	Internal terminating resistor faulty
ON	x	x	●	x	Termination is activated
x	x	x	x	○	No errors detected
OFF	x	⊛	○	●	Bus is not terminated
OFF	x	○	○	●	Bus is open

on: ● | off: ○ | flashing: ⊛ | not relevant: X