

ITA-1611U

Intel® Celeron™ J1900 Compact System Multiple COM Ports and USB Ports



Features

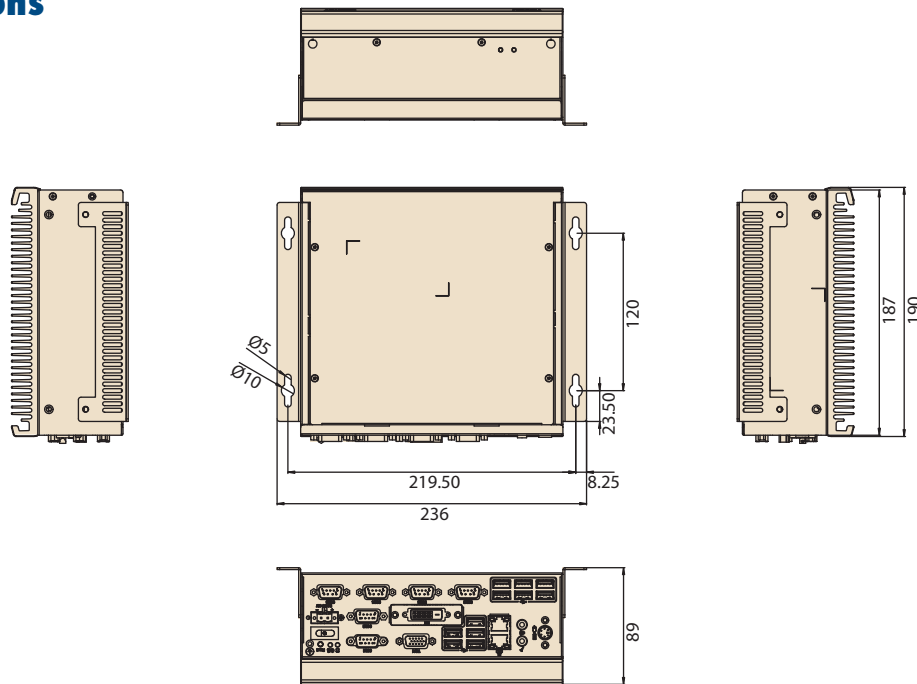
- Fanless, Intel® Celeron™ J1900, 2.0 GHz Quad Core Compact System
- Onboard 4G DDR3 Memory and optional NVRAM
- Supports up to 2 x LAN, 6 x COM ports
- Supports 11 USB ports
- Replaceable secondary display output (VGA2/DVI-D/LVDS)
- Support dual full HD resolution video output

System Specifications

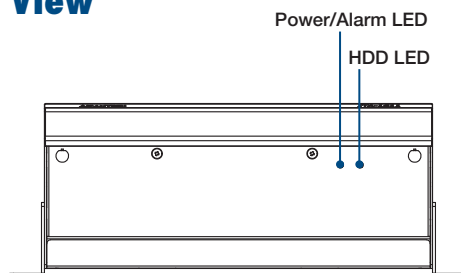
Processor System	CPU	Intel® Celeron™ J1900		
	Max Speed	2.0 GHz		
	L2 Cache	2 MB		
	Core Number	4		
	BIOS	AMI SPI 64Mb		
Memory	Technology	Dual channel DDR3 1333		
	Capacity	Onboard 4 GB (Up to total 8GB with SODIMM)		
Graphics	Chipset	Embedded Gen 4+GFX Core		
	VRAM	Shared system memory up to 256 MB SDRAM		
	Dual Display	DVI-D Single channel max: 1920 x 1080 @ 60Hz Dual channel max: 1920 x 1080 @ 60Hz		
	LVDS (optional)	Support 18bit /24bit dual channel up to 1920 x 1080 @ 60Hz		
Ethernet	Interface	10/100/1000 Mbps		
	Controller	2 x Intel I211		
	Connector	2 x RJ-45		
Storage	NVRAM	1 Mb FRAM(Optional)		
	Internal	1 x M-SATA socket Support 1 x 2.5" HDD/SSD (Optional)		
	External	1 x Easy Swap SATA Slim/CompactFlash Module		
I/O Interface	Main Display	VGA1		
	Secondary Display	DVI-D (VGA and LVDS optional)		
	LAN	2		
	USB	11 (10 x USB2.0, 1 x USB3.0)		
	COM	6 RS232 ports (include 2 RS232/422/485 ports with automatic flow control)		
	Audio	1 x Speaker out with 2x4w amplifier, 1x Mic in		
Expansion Slots	Mini PCIe	1		
Power	Power Input Voltage	DC 9 V ~ 36 V input		
Watchdog Timer	Output	System reset		
	Interval	Programmable 1~255 sec/min		
Environment	Temperature	Operating (W/O HDD)	Operating (With HDD)	Non-Operating
		-25 ~ 60° C	0 ~ 40° C	-40 ~ 85° C
Physical Characteristics	Dimensions (W x H x D)	200 x 85 x 190 mm		

Dimensions

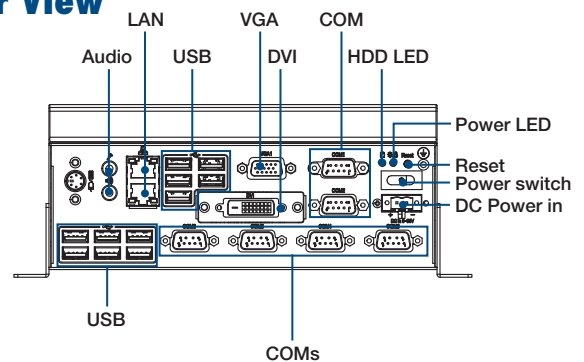
Unit: mm



Front View



Rear View



Ordering Information

Part number	CPU	Onboard Memory	Display	COM	GbE LAN	USB
ITA-1611U-00A1E	J1900	4GB DDR3	VGA+DVI	6	2	11

Packing List

Part.No	Description	Quantity
2001171100	Startup Menu(CHN)	1
2001171110	Startup Menu(ENG)	1
2062171010	CD-ROM	1
1960054855N001	HDD Bracket Part 1	1
1960065108N001	HDD Bracket Part 2	1
1700009409	HDD SATA Cable	1
1700017839	HDD Power Cable	1
1990021361N000	HDD Thermal Pad 1	1
1990021362N000	HDD Thermal Pad 2	1
1960052263T001	Mounting Bracket	2
1652002205	Plug-in Connector	1

Optional Accessories

Part.No	Description
PCA-5650-00A1E	Mini PCIe VGA card
96PSA-A60W12P2-1	Adapter 100-240V 60W 12V
1700000596	Power Cord (China) CCC,10A 250V, 3P 1.83M
1702002600-01	Power Cord 3P UL/CSA(USA) 125V 10A 1.83M
4700023534-01	Power Cord UK 3P 13A 250V 1.83cm
1702002605-01	Power cord 3P European 10A/16A 250V 1.83M
1960057419N011	DIO Bracket (front panel)
1960057419N001	LPT Bracket (front panel)
1960057418N001	VGA Bracket (front panel)

ITA-1711N

Intel® Celeron™ J1900 Fanless Compact System with 8GB on board and 8 x USB



Features

- Built-in Intel® Celeron™ J1900 quad-core processor, 2.0 GHz
- Fanless, compact system design
- 8 GB of DDR3 memory onboard with optional NVRAM
- 4 x LAN, 8 x USB, 14 x COM, and 1 x USB 3.0 ports
- Replaceable secondary display (VGA 2/DVI-D/LVDS/HDMI)
- Supports dual outputs of full HD resolution video
- Serial ports support RS-232/422/485 with automatic flow control
- Supports up to 48 digital I/O (can be program)
- Supports Ingress Protection 5x

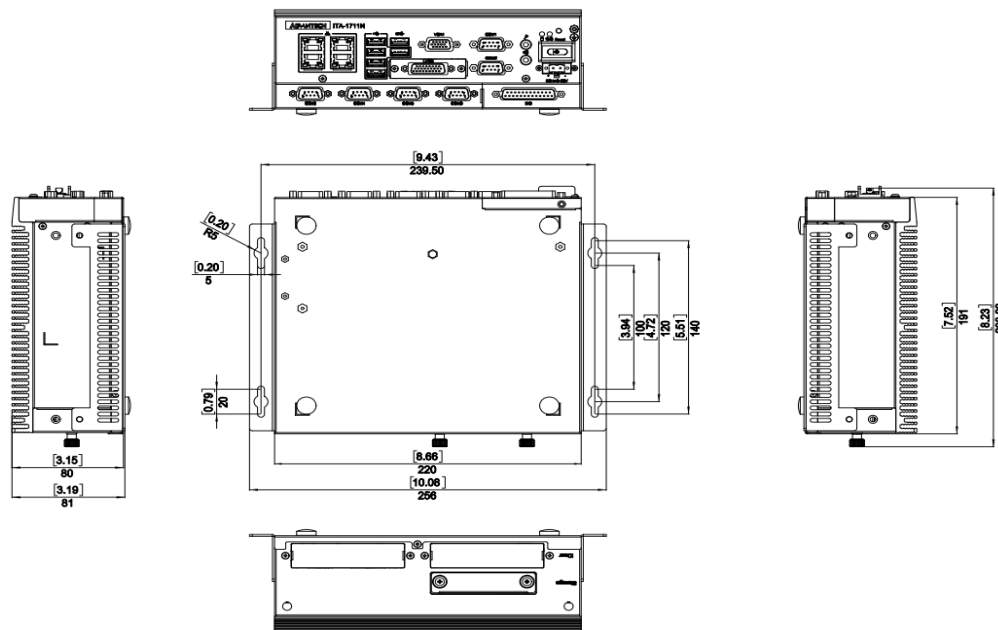


System Specifications

Processor System	CPU	Intel® Celeron™ J1900		
	Max Speed	2.0 GHz		
	L2 Cache	2 MB		
	Core Quantity	4		
	BIOS	AMI® SPI 64 Mb		
Memory	Technology	Dual-channel DDR3 1333		
	Capacity	Onboard 8 GB		
Graphics	Chipset	Embedded Intel® Gen 7 Graphics		
	VRAM	Shared system memory up to 256 MB SDRAM		
	Dual Display	2 x VGA/VGA + DVI-D/VGA + LVDS / HDMI		
		Single channel maximum: 1920 x 1080 @ 60 Hz Dual channel maximum: 1920 x 1080 @ 60 Hz		
LVDS (optional)	Supports 18/24-bit dual channel, up to 1920 x 1080 @ 60 Hz			
Ethernet	Interface	10/100/1000 Mbps		
	Controller	4 x Intel® I211		
	Connector	4 x RJ-45		
Storage	NVRAM	1 Mb FRAM (optional)		
	Internal	1 x mSATA socket Supports 1 x 2.5" HDD/SSD (optional)		
	External	1 x Easy swap SATA slim/CompactFlash module		
I/O Interface	Main Display	VGA 1		
	Secondary Display	VGA 2/DVI-D/LVDS/HDMI		
	LAN	4		
	USB	8 (7 x USB 2.0, 1 x USB 3.0)		
	COM	10 x RS 232/422/485 ports with automatic flow control (up to 14 ports, supports 4 additional optional RS-232 serial ports)		
	Digital I/O	1 x 24-bit GPIO (48-bit GPIO optional)		
	Audio	1 x Speaker-out with 2 x 4W amplifier, 1 x Mic-in		
Reserved Area (front panel)	1 (LPT, DIO2, PS/2 optional)			
Expansion Slots	Mini PCIe	1		
Power	Input Voltage	9 ~ 36 V DC		
	Output	System reset		
Watchdog Timer	Interval	Programmable 1~255 sec/min		
	Environment	Operating (w/o HDD)	Operating (with HDD)	Non-Operating
Physical Characteristics	Temperature	-25 ~ 60 °C	0 ~ 40 °C	-40 ~ 85 °C
	Dimensions (W x H x D)	220 x 80 x 190 mm		

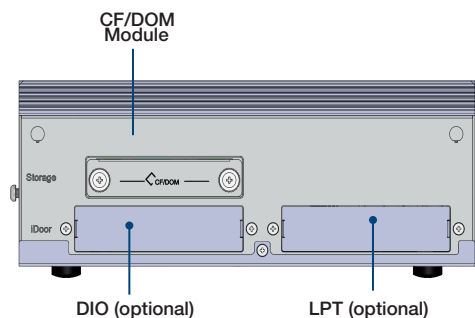
Dimensions

Unit: mm

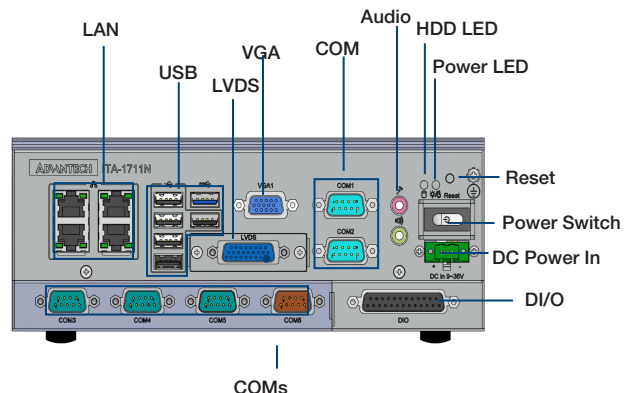


Front View

ITA-1711N-00A1



Rear View



Ordering Information

Part Number	CPU	Onboard Memory	Display	COM	D/O	GbE LAN	USB	CF Tray
ITA-1711N-00A1	J1900	8 GB DDR3	VGA+LVDS	6	24 bit	4	8	Yes

Packing List

Part Number	Description	Quantity
2041171100	Startup menu (CH)	1
2041171110	Startup menu (EN)	1
2062171010	CD-ROM	1
1960054855T001	HDD bracket	1
1960065855N004	IDOOR COVER BLAN	1
1700030380-01	HDD SATA cable	1
1700017929	HDD power cable	1
1990021361N010	HDD thermal pad 1	1
1990021362N010	HDD thermal pad 2	1
1960052263T001	Mounting bracket	2
1652002205	Plug-in connector	1

Optional Accessories

Part Number	Description
PCA-5650-00A1E	Mini PCIe VGA card
96PSA-A60W12P2-1	Adapter 100-240V 60W 12V
1700000596-11	Power cord (China) CCC, 10A 250V, 3P 1.83 M
1702002600-01	Power cord UL/CSA (USA) 125V 10A, 3P, 1.83 M
1700018704	Power Cord BSI 2P 10A 250V 180cm
1702002605-01	Power cord (EU) 10A/16A, 250V, 3P, 1.83 M
1700020061-11	PS/2 Cable (front panel)
1960095081N031	DI/O bracket (front panel)
1960095081N021	LPT bracket (front panel)
1960057418N001	VGA bracket (front panel)

ITA-1501

Freescal[®] i.MX6 Quad Fanless Compact System with Multiple COM Ports and Dual Displays



Features

- Built-in i.MX6 Quad - 4x Cortex-A9 processor
- Onboard 2G DDR3L memory design
- Supports 8G/16G EMMC NAND Flash for OS
- Supports 6 x USB 2.0
- Supports 2 x DB9(RS232/422/485), 4 x DB9(RS232)
- Supports Dual Displays
 - Optional 2 x VGA Display
 - Optional VGA + HDMI Display
- Supports 1 x GbE

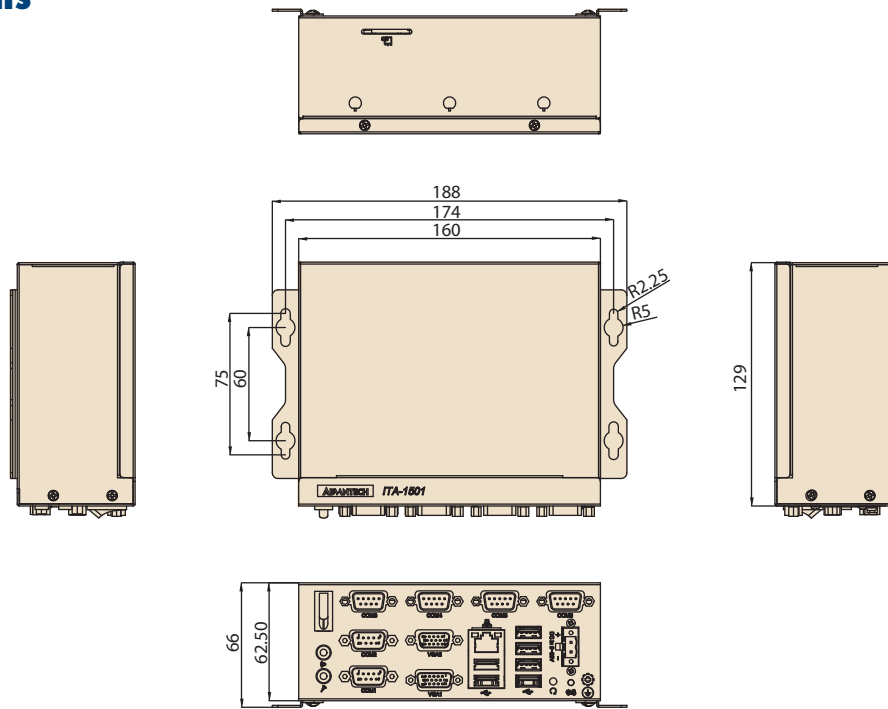


Specifications

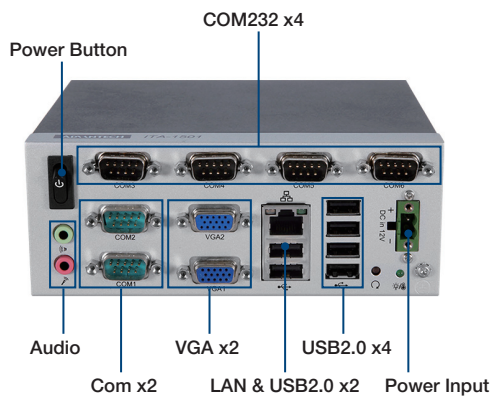
Processor System	CPU	Freescal i.MX6 Quad - 4x Cortex-A9	
	Processor Base Frequency	1.0 GHz (Burst Frequency 1.2GHz)	
	L2 Cache	1 MB	
	Core Number	4	
Memory	Technology	Single channel DDR3L 1066 MHz SDRAM on board	
	Capacity	2GB	
Graphics	Controller	Freescal i.MX6 integrated hardware accelerators	
	Dual display	VGA +HDMI or 2 x VGA Single channel :1920 x 1080 @ 60 Hz Dual channel :1920 x 1080 @ 60 Hz	
Ethernet	Interface	10/100/1000 Mbps	
	Controller	RTL8211E	
	Connector	1 x RJ-45	
Storage	Internal	8GB EMMC NAND Flash for O.S & 4MB SPI NOR Flash for ADV Loader	
	External	1 x 2.5" SDD bay or CF module	
I/O	Main Display	VGA1	
	Second Display	HDMI or VGA2 (optional)	
	SATA	1 x SATA 2.0	
	USB	6 x USB2.0	
	SD	1 x SD	
	Serial Port	2 x DB9, RS232/422/485 with automatic flow control 4 x DB9, RS232(only support TX/RX) (pinhead)	
	Audio	1 x Speaker-out with 2 x 4W amplifier, 1 x Mic-in	
	Mini PCIe	1 x Mini PCIe with SIM slot	
Power	Input Voltage	12 V _{DC}	
Watchdog Timer	Output	System reset	
	Interval	Programmable 1~255 sec/min	
Environment	Operating Temperature	Operating	Non-operating
	Temperature	0 ~ 60 °C	-40 ~ 85 °C
Mechanical Features	Dimension (W x H x D)	160 x 62.5 x 129 mm (6.3" x 2.46" x 5.08")/188 x 66 x 129 mm (7.4" x 2.6" x 5.08") with mounting kits	
	Install	Desktop/Wall-mounting	
Certifications	EMC	CCC/CE/FCC	
	Safety	CCC/UL/CB	

Dimensions

Unit: mm



Front View



Rear View



Ordering Information

Part Number	CPU	Onboard Memory	Display	LAN	USB	SD	COM (RS232/422/485)	COM (Only RS232)
ITA-1501-00A1	Cortex A9	2GB DDR3	VGA x 2	1	6	1	2	4
ITA-1501-01A1	Cortex A9	2GB DDR3	VGA + HDMI	1	6	1	2	4

ITA-1611

Intel® Celeron™ J1900 Fanless Compact System with Dual Gigabit Ethernet LAN and Dual Displays



Features

- Built-in Intel® Celeron™ J1900 quad-core processor, 2.0 GHz
- Fanless, compact system design
- 4 GB of DDR3 memory onboard with optional NVRAM
- 2 x LAN, 6 x USB, 6 x COM, and 1 x USB 3.0 ports
- Replaceable secondary display (VGA 2/DVI-D/LVDS)
- Supports dual outputs of full HD resolution video

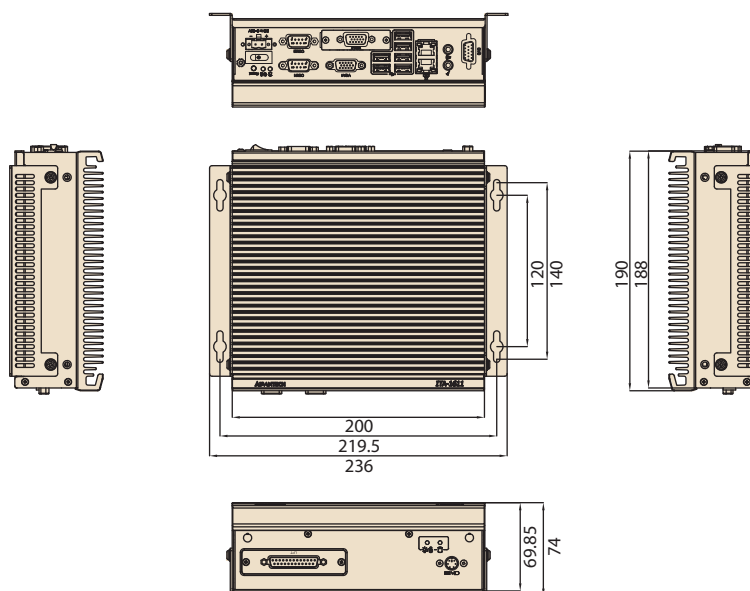


System Specifications

Processor System	CPU	Intel® Celeron™ J1900		
	Max Speed	2.0 GHz		
	L2 Cache	2 MB		
	Core Quantity	4		
	BIOS	AMI® SPI 64 Mb		
Memory	Technology	Dual-channel DDR3 1333		
	Capacity	Onboard 4 GB (up to 8 GB with SODIMM)		
Graphics	Chipset	Embedded Intel® Gen 7 Graphics		
	VRAM	Shared system memory up to 256 MB SDRAM		
	Dual Display	2 x VGA/VGA + DVI-D/VGA + LVDS		
		Single channel maximum: 1920 x 1080 @ 60 Hz Dual channel maximum: 1920 x 1080 @ 60 Hz		
LVDS (optional)	Supports 18/24-bit dual channel, up to 1920 x 1080 @ 60 Hz			
Ethernet	Interface	10/100/1000 Mbps		
	Controller	2 x Intel® I211		
	Connector	2 x RJ-45		
Storage	NVRAM	1 Mb FRAM (optional)		
	Internal	1 x mSATA socket		
	External	Supports 1 x 2.5" HDD/SSD (optional)		
I/O Interface	Main Display	VGA 1		
	Secondary Display	VGA 2/DVI-D/LVDS		
	LAN	2		
	USB	6 (5 x USB 2.0, 1 x USB 3.0)		
	COM	2 x RS 232/422/485 ports with automatic flow control (up to 6 ports, supports 4 additional optional RS-232 serial ports)		
	Digital I/O	1 x 8-channel GPIO		
	Audio	1 x Speaker-out with 2 x 4W amplifier, 1 x Mic-in		
	PS/2 (front panel)	1		
	Reserved Area (front panel)	1 (1 x LPT port as default; 2 x VGA with PCA-5650 optional)		
Expansion Slots	Mini PCIe	1		
Power	Input Voltage	9 ~ 36 V DC		
	Output	System reset		
Watchdog Timer	Interval	Programmable 1~255 sec/min		
	Environment	Temperature	Operating (w/o HDD)	Operating (with HDD)
-25 ~ 60 °C			0 ~ 40 °C	-40 ~ 85 °C
Physical Characteristics				
Dimensions (W x H x D)	200 x 69.85 x 190 mm (7.87" x 2.75" x 7.47")/236 x 74 x 190 mm (9.28" x 2.91" x 7.47") with mounting kits			

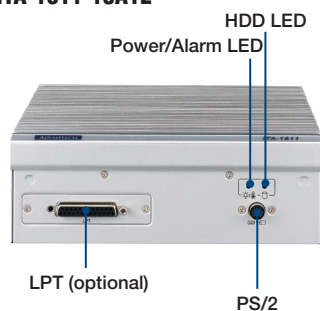
Dimensions

Unit: mm

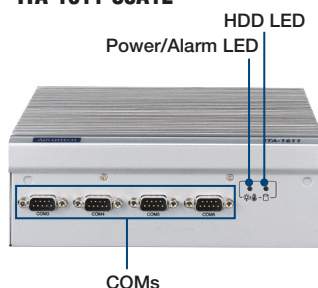


Front View

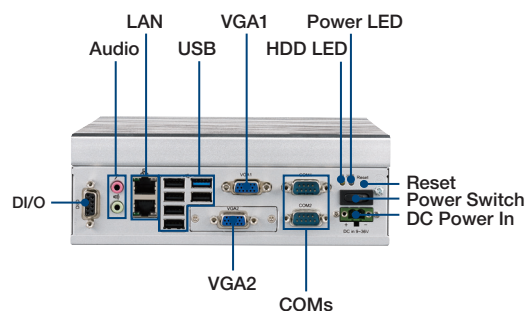
ITA-1611-10A1E



ITA-1611-S0A1E



Rear View



Ordering Information

Part Number	CPU	Onboard Memory	Display	COM	D/O	GbE LAN	USB
ITA-1611-00A1E	J1900	4 GB DDR3	VGA+DVI	2	8 bit	2	6
ITA-1611-10A1E	J1900	4 GB DDR3	VGA*2	2	8 bit	2	6
ITA-1611-20A1E	J1900	4 GB DDR3	VGA+LVDS	2	8 bit	2	6
ITA-1611-S0A1E	J1900	4 GB DDR3	VGA+DVI	6	8 bit	2	6

Packing List

Part Number	Description	Quantity
2001161100	Startup menu (CH)	1
2001161110	Startup menu (CH)	1
2062171010	CD-ROM	1
1960054855N001	HDD bracket part 1	1
1960057417N301	HDD bracket part 2	1
1700009409	HDD SATA cable	1
1700017839	HDD power cable	1
1990021361N000	HDD thermal pad 1	1
1990021362N000	HDD thermal pad 2	1
1960052263T001	Mounting bracket	2
1652002205	Plug-in connector	1

Optional Accessories

Part Number	Description
PCA-5650-00A1E	Mini PCIe VGA card
96PSA-A60W12P2-1	Adapter 100-240V 60W 12V
1700000596-11	Power cord (China) CCC,10A 250V, 3P, 1.83 M
1702002600-01	Power cord UL/CSA (USA) 125V 10A, 3P, 1.83 M
1700018704	Power Cord BSI 2P 10A 250V 180cm
1702002605-01	Power cord (EU) 10A/16A, 250V, 3P, 1.83 M
1700019592	LPT Cable (front panel)
1960057418N001	VGA bracket (front panel)

ITA-1711

Intel® Celeron™ J1900 Fanless Compact System with Multiple COM Ports and Dual Displays



Features

- Built-in Intel® Celeron™ J1900 quad-core processor, 2.0 GHz
- Fanless, compact system design
- 4 GB of DDR3 memory onboard with optional NVRAM
- 2 x LAN, 6 x USB, 14 x COM, and 1 x USB 3.0 ports
- Replaceable secondary display (VGA 2/DVI-D/LVDS)
- Supports dual outputs of full HD resolution video
- Serial ports support RS-232/422/485 with automatic flow control
- Supports up to 48 digital I/O (24 inputs and 24 outputs)

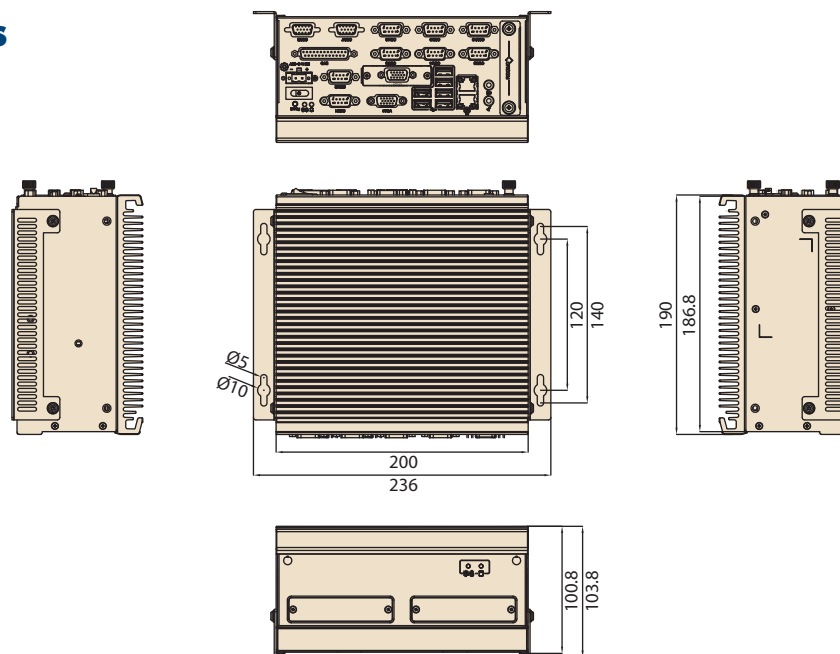


System Specifications

Processor System	CPU	Intel® Celeron™ J1900		
	Max Speed	2.0 GHz		
	L2 Cache	2 MB		
	Core Quantity	4		
	BIOS	AMI® SPI 64 Mb		
Memory	Technology	Dual-channel DDR3 1333		
	Capacity	Onboard 4 GB (up to 8 GB with SODIMM)		
Graphics	Chipset	Embedded Intel® Gen 7 Graphics		
	VRAM	Shared system memory up to 256 MB SDRAM		
	Dual Display	2 x VGA/VGA + DVI-D/VGA + LVDS		
		Single channel maximum: 1920 x 1080 @ 60 Hz Dual channel maximum: 1920 x 1080 @ 60 Hz		
LVDS (optional)	Supports 18/24-bit dual channel, up to 1920 x 1080 @ 60 Hz			
Ethernet	Interface	10/100/1000 Mbps		
	Controller	2 x Intel® I211		
	Connector	2 x RJ-45		
Storage	NVRAM	1 Mb FRAM (optional)		
	Internal	1 x mSATA socket Supports 1 x 2.5" HDD/SSD (optional)		
	External	1 x Easy swap SATA slim/CompactFlash module		
I/O Interface	Main Display	VGA 1		
	Secondary Display	VGA 2/DVI-D/LVDS		
	LAN	2		
	USB	6 (5 x USB 2.0, 1 x USB 3.0)		
	COM	10 x RS 232/422/485 ports with automatic flow control (up to 14 ports, supports 4 additional optional RS-232 serial ports)		
	Digital I/O	1 x 24-bit GPIO (48-bit GPIO optional)		
	Audio	1 x Speaker-out with 2 x 4W amplifier, 1 x Mic-in		
Reserved Area (front panel)	1 (LPT, DIO2, PS/2 optional)			
Expansion Slots	Mini PCIe	1		
Power	Input Voltage	9 ~ 36 V DC		
	Output	System reset		
Watchdog Timer	Interval	Programmable 1~255 sec/min		
	Environment	Temperature	Operating (w/o HDD)	Operating (with HDD)
		-25 ~ 60 °C	0 ~ 40 °C	-40 ~ 85 °C
Physical Characteristics	Dimensions (W x H x D)	200 x 100.8 x 190 mm (7.87" x 3.96" x 7.47")/236 x 103.8 x 190 mm (9.28" x 4.08" x 7.47") with mounting kits		

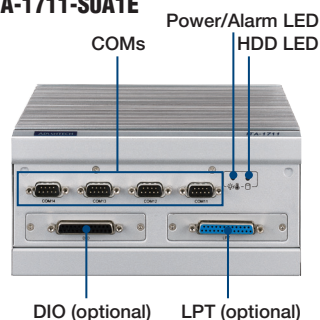
Dimensions

Unit: mm

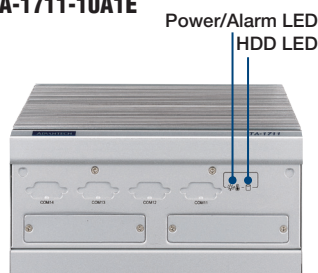


Front View

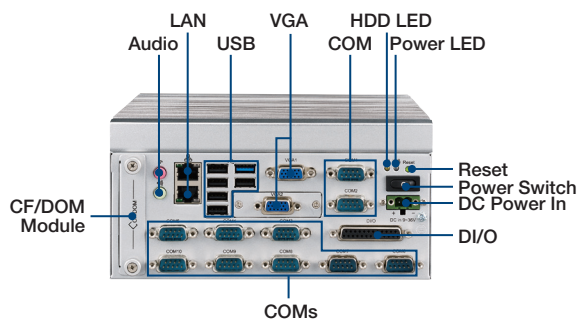
ITA-1711-S0A1E



ITA-1711-10A1E



Rear View



Ordering Information

Part Number	CPU	Onboard Memory	Display	COM	D/O	GbE LAN	USB	CF Tray
ITA-1711-00A1E	J1900	4 GB DDR3	VGA+DVI	10	24 bit	2	6	Yes
ITA-1711-10A1E	J1900	4 GB DDR3	VGA*2	10	24 bit	2	6	Yes
ITA-1711-20A1E	J1900	4 GB DDR3	VGA+LVDS	10	24 bit	2	6	Yes
ITA-1711-S0A1E	J1900	4 GB DDR3	VGA+DVI	14	48 bit	2	6	Yes

Packing List

Part Number	Description	Quantity
2001171100	Startup menu (CH)	1
2001171110	Startup menu (CH)	1
2062171010	CD-ROM	1
1960054855N001	HDD bracket part 1	1
1960065108N001	HDD bracket part 2	1
1700009409	HDD SATA cable	1
1700017839	HDD power cable	1
1990021361N000	HDD thermal pad 1	1
1990021362N000	HDD thermal pad 2	1
1960052263T001	Mounting bracket	2
1652002205	Plug-in connector	1

Optional Accessories

Part Number	Description
PCA-5650-00A1E	Mini PCIe VGA card
96PSA-A60W12P2-1	Adapter 100-240V 60W 12V
1700000596-11	Power cord (China) CCC, 10A 250V, 3P, 1.83 M
1702002600-01	Power cord UL/CSA (USA) 125V 10A, 3P, 1.83 M
1700018704	Power Cord BSI 2P 10A 250V 180cm
1702002605-01	Power cord (EU) 10A/16A, 250V, 3P, 1.83 M
1700020061-11	PS/2 Cable (front panel)
1960057419N011	DI/O bracket (front panel)
1960057419N001	LPT bracket (front panel)
1960057418N001	VGA bracket (front panel)