

# UPort 1100 Series

1-port RS-232, RS-422/485, and RS-232/422/485 USB-to-serial converters



## Features and Benefits

- 921.6 kbps maximum baudrate for fast data transmission
- Drivers provided for Windows, macOS, Linux, and WinCE
- Mini-DB9-female-to-terminal-block adapter for easy wiring
- LEDs for indicating USB and TxD/RxD activity
- 2 kV isolation protection (for “-I” models)

## Certifications



## Introduction

The UPort® 1100 Series of USB-to-serial converters is the perfect accessory for laptop or workstation computers that do not have a serial port. They are essential for engineers who need to connect different serial devices in the field or separate interface converters for devices without a standard COM port or DB9 connector.

The UPort® 1100 Series converts from USB to RS-232/422/485. All products are compatible with legacy serial devices, and can be used with instrumentation and point-of-sale applications.

## Specifications

### USB Interface

Speed	12 Mbps
USB Connector	UPort 1110/1130/1130I/1150: USB Type A UPort 1150I: USB Type B
USB Standards	USB 1.0/1.1 compliant, USB 2.0 compatible

### Serial Interface

No. of Ports	1
Connector	DB9 male
Baudrate	50 bps to 921.6 kbps
Data Bits	5, 6, 7, 8
Stop Bits	1, 1.5, 2
Parity	None, Even, Odd, Space, Mark
Flow Control	None, RTS/CTS, XON/XOFF
Isolation	UPort 1130I/1150I: 2kV
Serial Standards	UPort 1110: RS-232 UPort 1130/1130I: RS-422, RS-485 UPort 1150/1150I: RS-232, RS-422, RS-485

## Serial Signals

RS-232	TxD, RxD, RTS, CTS, DTR, DSR, DCD, GND
RS-422	Tx+, Tx-, Rx+, Rx-, GND
RS-485-4w	Tx+, Tx-, Rx+, Rx-, GND
RS-485-2w	Data+, Data-, GND

## Power Parameters

Input Voltage	5 VDC
Input Current	UPort 1110: 30 mA UPort 1130: 60 mA UPort 1130I: 65 mA UPort 1150: 77 mA UPort 1150I: 260 mA

## Physical Characteristics

Housing	UPort 1110/1130/1130I/1150: ABS + Polycarbonate UPort 1150I: Metal
Dimensions	UPort 1110/1130/1130I/1150: 37.5 x 20.5 x 60 mm (1.48 x 0.81 x 2.36 in) UPort 1150I: 52 x 80 x 22 mm (2.05 x 3.15 x 0.87 in)
Weight	UPort 1110/1130/1130I/1150: 65 g (0.14 lb) UPort 1150I: 75 g (0.16 lb)

## Environmental Limits

Operating Temperature	0 to 55°C (32 to 131°F)
Storage Temperature (package included)	-20 to 70°C (-4 to 158°F)
Ambient Relative Humidity	5 to 95% (non-condensing)

## Standards and Certifications

EMC	EN 55032/24
EMI	CISPR 32, FCC Part 15B Class 1
EMS	IEC 61000-4-2 ESD: Contact: 4 kV; Air: 8 kV IEC 61000-4-3 RS: 80 MHz to 1 GHz: 3 V/m IEC 61000-4-4 EFT: Power: 1 kV; Signal: 0.5 kV IEC 61000-4-5 Surge: Power: 2 kV IEC 61000-4-6 CS: 150 kHz to 80 MHz: 3 V/m IEC 61000-4-8 PFMF

## Declaration

Green Product	RoHS, CRoHS, WEEE
---------------	-------------------

## MTBF

Time	1,949,025 hrs
Standards	MIL-HDBK-217F Telcordia (Bellcore), GB

## Warranty

Warranty Period	5 years
Details	See <a href="http://www.moxa.com/warranty">www.moxa.com/warranty</a>

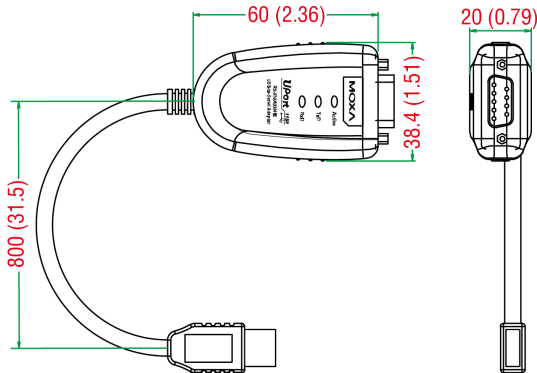
## Package Contents

Device	1 x UPort 1100 Series USB-to-serial converter
Cable	UPort 1150I: 1 x USB type A male to USB type B male
Connectors	1 x Mini DB9F-to-TB (UPort 1130/1150 Models)
Documentation	1 x quick installation guide 1 x warranty card

## Dimensions

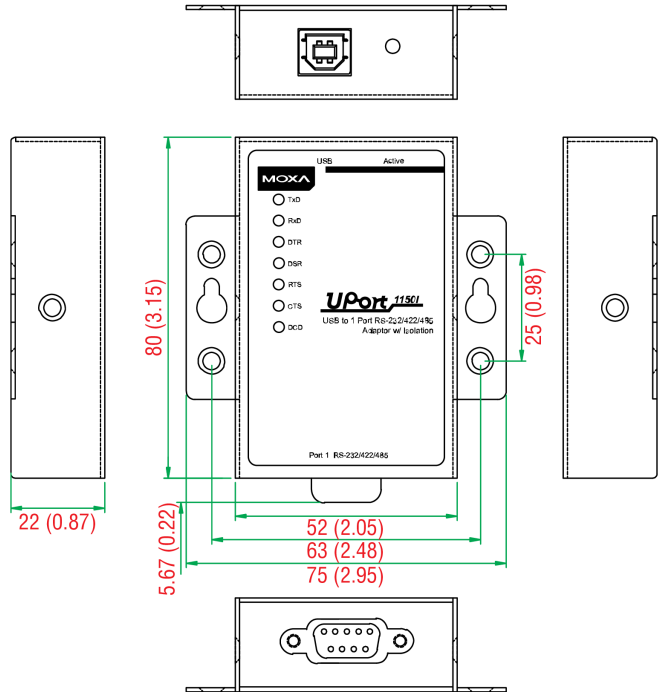
### UPort 1110/1130/1130I/1150

Unit: mm (inch)



### UPort 1150I

Unit: mm (inch)



## Ordering Information

Model Name	USB Interface	Serial Standards	No. of Serial Ports	Isolation	Housing Material	Operating Temp.
UPort 1110	USB 1.1	RS-232	1	-	ABS+PC	0 to 55°C
UPort 1130	USB 1.1	RS-422/485	1	-	ABS+PC	0 to 55°C
UPort 1130I	USB 1.1	RS-422/485	1	2 kV	ABS+PC	0 to 55°C
UPort 1150	USB 1.1	RS-232/422/485	1	-	ABS+PC	0 to 55°C
UPort 1150I	USB 1.1	RS-232/422/485	1	2 kV	Metal	0 to 55°C

## Accessories (sold separately)

### Cables

NP21101	DB25 male to DB9 female cable for RS-232 transmission, 30 cm
CBL-F9M9-20	DB9 female to DB9 male serial cable, 20 cm
CBL-F9M9-150	DB9 female to DB9 male serial cable, 1.5 m
CBL-RJ45SF9-150	8-pin RJ45 to DB9 female serial cable with shielding, 1.5m
CBL-USBA/B-100	USB Type A to USB Type B cable, 1 m

## Connectors

Mini DB9F-to-TB	DB9 female to terminal block connector
ADP-RJ458P-DB9F	DB9 female to RJ45 connector

## Wireless Adapters

A-ADP-RJ458P-DB9F-ABC01	DB9 female to RJ45 connector for the ABC-01 Series
-------------------------	----------------------------------------------------

## Rack-Mounting Kits

WK-44-01	Rack-mounting kit, 2 L-shaped plates, 8 screws, 44 x 57.5 x 1.6 mm Applicable Models: UPort 1150I
----------	---------------------------------------------------------------------------------------------------------

## Wall-Mounting Kits

WK-35-01	Wall-mounting kit with 2 plates (35 x 44 x 2.5 mm) and 6 screws Applicable Models: UPort 1150I
----------	------------------------------------------------------------------------------------------------------

© Moxa Inc. All rights reserved. Updated Jan 21, 2021.

This document and any portion thereof may not be reproduced or used in any manner whatsoever without the express written permission of Moxa Inc. Product specifications subject to change without notice. Visit our website for the most up-to-date product information.

# UPort 1200/1400/1600 Series

2 to 16-port RS-232, RS-422/485, and RS-232/422/485 USB-to-serial converters



## Features and Benefits

- Hi-Speed USB 2.0 for up to 480 Mbps USB data transmission rates
- 921.6 kbps maximum baudrate for fast data transmission
- Drivers provided for Windows, WinCE, and Linux
- Mini-DB9-female-to-terminal-block adapter for easy wiring
- LEDs for indicating USB and TxD/RxD activity
- 2 kV isolation protection (for “-I” models)

## Certifications



## Introduction

The UPort® 1200/1400/1600 Series of USB-to-serial converters is the perfect accessory for laptop or workstation computers that do not have a serial port. They are essential for engineers who need to connect different serial devices in the field or separate interface converters for devices without a standard COM port or DB9 connector.

The UPort® 1200/1400/1600 Series converts from USB to RS-232/422/485. All products are compatible with legacy serial devices, and can be used with instrumentation and point-of-sale applications.

## Specifications

### USB Interface

Speed	12 Mbps, 480 Mbps
USB Connector	USB Type B
USB Standards	USB 1.1/2.0 compliant

### Serial Interface

No. of Ports	UPort 1200 Series: 2 UPort 1400 Series: 4 UPort 1600-8 Series: 8 UPort 1600-16 Series: 16
Connector	DB9 male
Baudrate	50 bps to 921.6 kbps
Data Bits	5, 6, 7, 8
Stop Bits	1, 1.5, 2
Parity	None, Even, Odd, Space, Mark
Flow Control	None, RTS/CTS, XON/XOFF
Isolation	2 kV (I models)
Serial Standards	UPort 1410/1610-8/1610-16: RS-232 UPort 1250/1250I/1450/1650-8/1650-16: RS-232, RS-422, RS-485

## Serial Signals

RS-232	TxD, RxD, RTS, CTS, DTR, DSR, DCD, GND
RS-422	Tx+, Tx-, Rx+, Rx-, GND
RS-485-4w	Tx+, Tx-, Rx+, Rx-, GND
RS-485-2w	Data+, Data-, GND

## Power Parameters

Input Voltage	UPort1250/1410/1450: 5 VDC <sup>1</sup> UPort 1250I/1400/1600-8 Series: 12 to 48 VDC UPort 1600-16 Series: 100 to 240 VAC
Input Current	UPort 1250: 360 mA @ 5 VDC UPort 1250I: 200 mA @ 12 VDC UPort 1410/1450: 260 mA @ 12 VDC UPort 1450I: 360 mA @ 12 VDC UPort 1610-8/1650-8: 580 mA @ 12 VDC UPort 1600-16 Series: 220 mA @ 100 VAC

## Physical Characteristics

Housing	Metal
Dimensions	UPort 1250/1250I: 77 x 26 x 111 mm (3.03 x 1.02 x 4.37 in) UPort 1410/1450/1450I: 204 x 30 x 125 mm (8.03 x 1.18 x 4.92 in) UPort 1610-8/1650-8: 204 x 44 x 125 mm (8.03 x 1.73 x 4.92 in) UPort 1610-16/1650-16: 440 x 45.5 x 198.1 mm (17.32 x 1.79 x 7.80 in)
Weight	UPort 1250/1250I: 180 g (0.40 lb) UPort 1410/1450/1450I: 720 g (1.59 lb) UPort 1610-8/1650-8: 835 g (1.84 lb) UPort 1610-16/1650-16: 2,475 g (5.45 lb)

## Environmental Limits

Operating Temperature	0 to 55°C (32 to 131°F)
Storage Temperature (package included)	-20 to 75°C (-4 to 167°F)
Ambient Relative Humidity	5 to 95% (non-condensing)

## Standards and Certifications

EMC	EN 55032/24
EMI	CISPR 32, FCC Part 15B Class 1
EMS	IEC 61000-4-2 ESD: Contact: 4 kV; Air: 8 kV IEC 61000-4-3 RS: 80 MHz to 1 GHz: 3 V/m IEC 61000-4-4 EFT: Power: 1 kV IEC 61000-4-5 Surge: Power: 1 kV IEC 61000-4-6 CS: 150 kHz to 80 MHz: 3 V/m IEC 61000-4-8 PFMF
Safety	UL 60950-1

## Declaration

Green Product	RoHS, CRoHS, WEEE
---------------	-------------------

1. UPort 1410/1450 Series: 5 V for USB port power, 12 V for external power adapter

## MTBF

Time	UPort 1250/1250I: 563,179 hrs UPort 1410: 394,441 hrs UPort 1450/1450I: 546,770 hrs UPort 1610-8: 208,413 hrs UPort 1650-8: 186,567 hrs UPort 1610-16: 138,704 hrs UPort 1650-16: 120,001 hrs
Standards	UPort 1250/1250I/1410/1450/1450I: Telcordia (Bellcore) Standard UPort 1610-8/1650-8/1610-16/1650-16: MIL-HDBK-217F

## Warranty

Warranty Period	5 years
Details	See <a href="http://www.moxa.com/warranty">www.moxa.com/warranty</a>

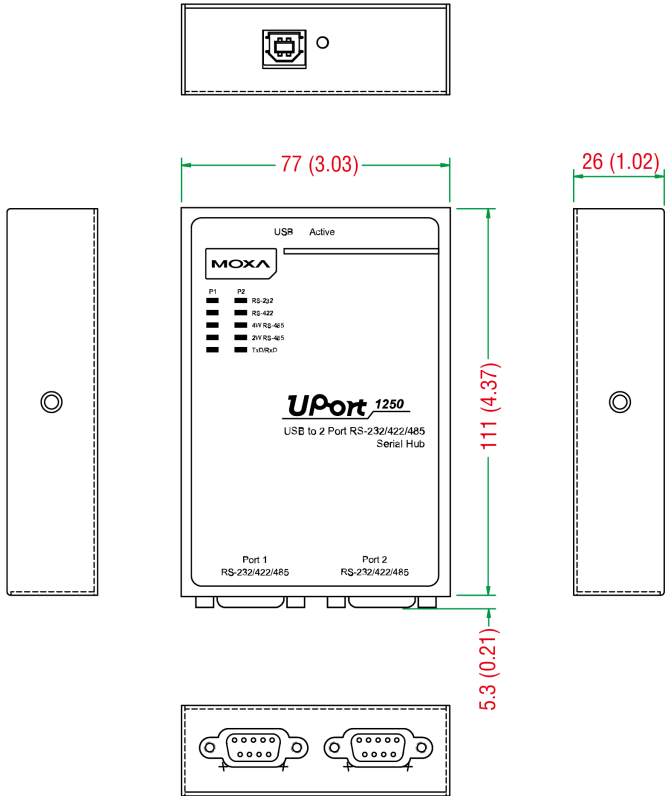
## Package Contents

Device	1 x UPort 1200/1400/1600 Series USB-to-serial converter
Cable	1 x USB type A male to USB type B male
Connectors	1 x Mini DB9F-to-TB (UPort 1250/1450/1650 Series)
Power Supply	1 x power adapter, universal (UPort 1250I/1450/1450I/1600-8) 1 x power cord (UPort 1600-16)
Installation Kit	1 x rack-mounting ear (UPort 1600-16 Series)
Documentation	1 x quick installation guide 1 x warranty card

## Dimensions

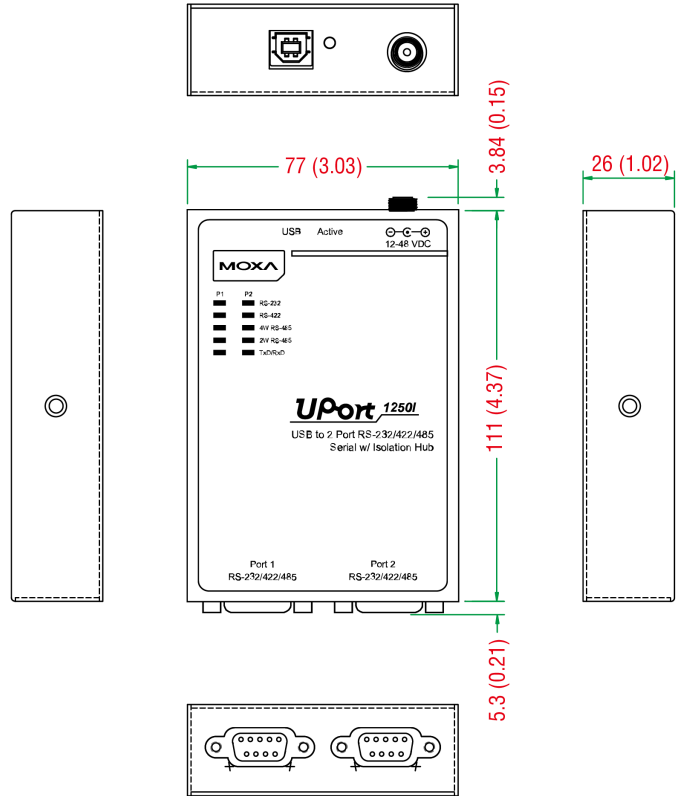
### UPort 1250

Unit: mm (inch)



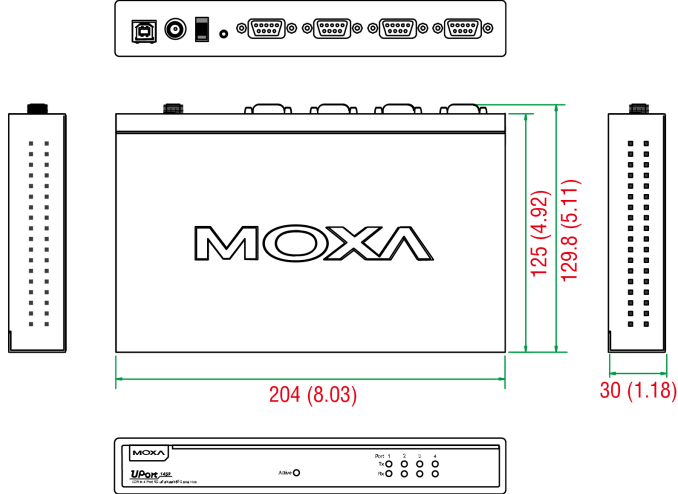
### UPort 1250I

Unit: mm (inch)



### UPort 1410/1450

Unit: mm (inch)



### UPort 1450I

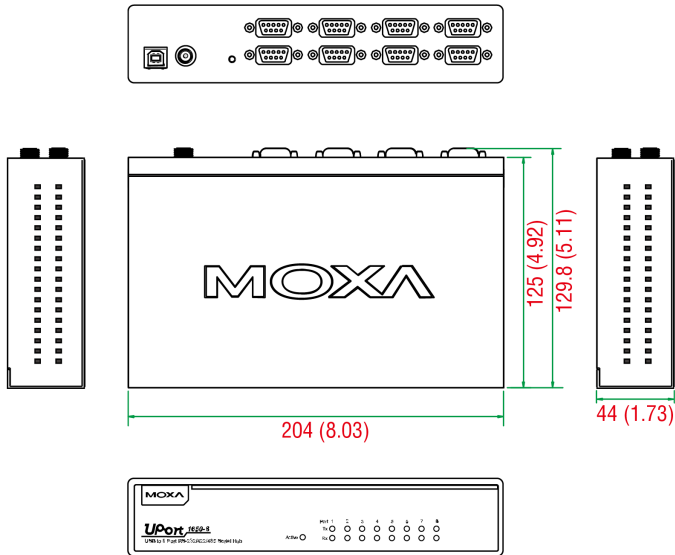
Unit: mm (inch)





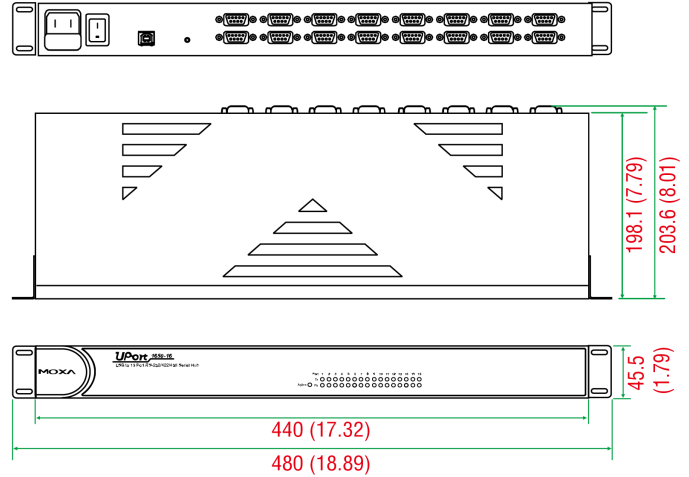
## UPort 1610-8/1650-8

Unit: mm (inch)



## UPort 1610-16/1650-16

Unit: mm (inch)



## Ordering Information

Model Name	USB Interface	Serial Standards	No. of Serial Ports	Isolation	Housing Material	Operating Temp.
UPort 1250	USB 2.0	RS-232/422/485	2	–	Metal	0 to 55°C
UPort 1250I	USB 2.0	RS-232/422/485	2	2 kV	Metal	0 to 55°C
UPort 1410	USB 2.0	RS-232	4	–	Metal	0 to 55°C
UPort 1450	USB 2.0	RS-232/422/485	4	–	Metal	0 to 55°C
UPort 1450I	USB 2.0	RS-232/422/485	4	2 kV	Metal	0 to 55°C
UPort 1610-8	USB 2.0	RS-232	8	–	Metal	0 to 55°C
UPort 1650-8	USB 2.0	RS-232/422/485	8	–	Metal	0 to 55°C
UPort 1610-16	USB 2.0	RS-232	16	–	Metal	0 to 55°C
UPort 1650-16	USB 2.0	RS-232/422/485	16	–	Metal	0 to 55°C

## Accessories (sold separately)

### Cables

CN20070	10-pin RJ45 to DB9 female serial cable
NP21101	DB25 male to DB9 female cable for RS-232 transmission, 30 cm
CBL-F9M9-20	DB9 female to DB9 male serial cable, 20 cm
CBL-F9M9-150	DB9 female to DB9 male serial cable, 1.5 m
CBL-USBA/B-100	USB Type A to USB Type B cable, 1 m

### Connectors

Mini DB9F-to-TB	DB9 female to terminal block connector
ADP-RJ458P-DB9F	DB9 female to RJ45 connector
A-ADP-RJ458P-DB9F-ABC01	DB9 female to RJ45 connector for the ABC-01 Series

### DIN-Rail Mounting Kits

DK-UP1200	DIN rail (25x48.3 mm) with 2 screws (FMS M3X6) Applicable Models:
-----------	----------------------------------------------------------------------

	UPort 1250 UPort 1250I
DK-UP1400	DIN-rail/wall-mounting kit, 2 plates, 6 screws, and 2 DIN-rail plates, 4 screws  Applicable Models: UPort 1410 UPort 1450 UPort 1450I UPort 1610-8 UPort 1650-8 UPort 1610-16 UPort 1650-16

### Wall-Mounting Kits

WK-35-01	Wall-mounting kit with 2 plates (35 x 44 x 2.5 mm) and 6 screws
WK-51-01	Wall mounting kit with 2 plates (51.6 x 67 x 2 mm) and 6 screws  Applicable Models: UPort 1250 UPort 1250I

### Power Adapters

PWR-12125-DT-S2	Desktop power supply (requires power cord), 12 VDC, 1.25 A, 100 to 240 VAC, 0 to 40°C operating temperature  Applicable Models: UPort 1250 UPort 1250I UPort 1410 UPort 1450 UPort 1450I UPort 1610-8 UPort 1650-8
-----------------	-----------------------------------------------------------------------------------------------------------------------------------------------------------------------------------------------------------------------------------------------

### Power Cords

PWC-C13EU-3B-183	Power cord with Continental Europe (EU) plug, 1.83 m  Applicable Models: UPort 1610-16 UPort 1650-16
PWC-C13CN-3B-183	Power cord with three-prong China (CN) plug, 1.83 m  Applicable Models: UPort 1610-16 UPort 1650-16
PWC-C13JP-3B-183	Power cord with Japan (JP) plug, 7A/125V, 1.83 m  Applicable Models: UPort 1610-16 UPort 1650-16
PWC-C13US-3B-183	Power cord with United States (US) plug, 1.83 m  Applicable Models: UPort 1610-16 UPort 1650-16
PWC-C13UK-3B-183	Power cord with United Kingdom (UK) plug, 1.83 m  Applicable Models: UPort 1610-16 UPort 1650-16
PWC-C13AU-3B-183	Power cord with Australian (AU) plug, 1.83 m  Applicable Models: UPort 1610-16 UPort 1650-16
PWC-C7EU-2B-183	Power cord with Continental Europe (EU) plug, 2.5A/250V, 1.83 m  Applicable Models:

	<p>UPort 1250  UPort 1250I  UPort 1410  UPort 1450  UPort 1450I  UPort 1610-8  UPort 1650-8</p>
PWC-C7CN-2B-183	<p>Power cord with three-prong China (CN) plug, 2.5A/250V, 1.83 m</p> <p>Applicable Models:  UPort 1250  UPort 1250I  UPort 1410  UPort 1450  UPort 1450I  UPort 1610-8  UPort 1650-8</p>
PWC-C7JP-2B-183	<p>Power cord for desktop-type power adapters with Japan (JP) plug, 7A/125V, 1.83 m</p> <p>Applicable Models:  UPort 1250  UPort 1250I  UPort 1410  UPort 1450  UPort 1450I  UPort 1610-8  UPort 1650-8</p>
PWC-C7US-2B-183	<p>Power cord with United States (US) plug, 10A/125V, 1.83 m</p> <p>Applicable Models:  UPort 1250  UPort 1250I  UPort 1410  UPort 1450  UPort 1450I  UPort 1610-8  UPort 1650-8</p>
PWC-C7UK-2B-183	<p>Power cord with United Kingdom (UK) plug, 2.5A/250V, 1.83 m</p> <p>Applicable Models:  UPort 1250  UPort 1250I  UPort 1410  UPort 1450  UPort 1450I  UPort 1610-8  UPort 1650-8</p>
PWC-C7AU-2B-183	<p>Power cord with Australian (AU) plug, 2.5A/250V, 1.83 m</p> <p>Applicable Models:  UPort 1250  UPort 1250I  UPort 1410  UPort 1450  UPort 1450I  UPort 1610-8  UPort 1650-8</p>

© Moxa Inc. All rights reserved. Updated Dec 15, 2020.

This document and any portion thereof may not be reproduced or used in any manner whatsoever without the express written permission of Moxa Inc. Product specifications subject to change without notice. Visit our website for the most up-to-date product information.

# UPort 2210/2410 Series

## 2 and 4-port RS-232 USB-to-serial converters



### Features and Benefits

- Hi-Speed USB 2.0 for up to 480 Mbps USB data transmission rates
- 921.6 kbps maximum baudrate for fast data transmission
- Drivers provided for Windows and Linux
- Driver support for MAC OS
- Supports fixed-base COM Utility for setting the initial extended COM port number
- LEDs for easy monitoring

### Certifications



## Introduction

The UPort® 2210/2410 USB-to-serial converters allow you to connect two or four RS-232 devices to your laptop or workstation through the USB port. The UPort® 2210 and UPort® 2410 are cost-effective solutions for both new and legacy RS-232 devices, and they are perfect for mobile, instrumentation, and point-of-sale applications.

## Specifications

### USB Interface

Speed	12 Mbps, 480 Mbps
USB Connector	USB Type B
USB Standards	USB 1.1/2.0 compliant

### Serial Interface

Serial Standards	RS-232
No. of Ports	UPort 2210: 2 UPort 2410: 4
Connector	DB9 male
Baudrate	50 bps to 921.6 kbps
Data Bits	5, 6, 7, 8
Stop Bits	1, 1.5, 2
Parity	None, Even, Odd, Space, Mark
Flow Control	None, RTS/CTS, XON/XOFF

### Serial Signals

RS-232	TxD, RxD, RTS, CTS, DTR, DSR, DCD, GND
--------	----------------------------------------

Power Parameters	
Input Voltage	5 VDC
Input Current	UPort 2210: 140 mA @ 5 VDC UPort 2410: 240 mA @ 5 VDC
Physical Characteristics	
Housing	Polycarbonate (PC)
Dimensions	UPort 2210: 70 x 35 x 120 mm (2.76 x 1.38 x 4.72 in) UPort 2410: 80 x 35 x 185 mm (3.15 x 1.38 x 7.28 in)
Weight	Packaged: UPort 2210: 325 g (0.72 lb) UPort 2410: 455 g (1 lb)  Product only: UPort 2210: 120 g (0.26 lb) UPort 2410: 210 g (0.46 lb)
Environmental Limits	
Operating Temperature	0 to 55°C (32 to 131°F)
Storage Temperature (package included)	-20 to 75°C (-4 to 167°F)
Ambient Relative Humidity	5 to 95% (non-condensing)
Standards and Certifications	
EMC	EN 55032/24
EMI	CISPR 32, FCC Part 15B Class B
EMS	IEC 61000-4-2 ESD: Contact: 8 kV; Air: 4 kV IEC 61000-4-3 RS: 80 MHz to 1 GHz: 3 V/m IEC 61000-4-4 EFT: Power: 1 kV IEC 61000-4-5 Surge: Power: 1 kV IEC 61000-4-6 CS: 150 kHz to 80 MHz: 3 V/m; Signal: 3 V/m IEC 61000-4-8 PFMF
Safety	UL 60950-1
Vibration	IEC 60068-2-6
Freefall	IEC 60068-2-32
Declaration	
Green Product	RoHS, CRoHS, WEEE
MTBF	
Time	UPort 2210: 4,221,778 hrs UPort 2410: 3,901,775 hrs
Standards	Telcordia (Bellcore), GB
Warranty	
Warranty Period	5 years
Details	See <a href="http://www.moxa.com/warranty">www.moxa.com/warranty</a>

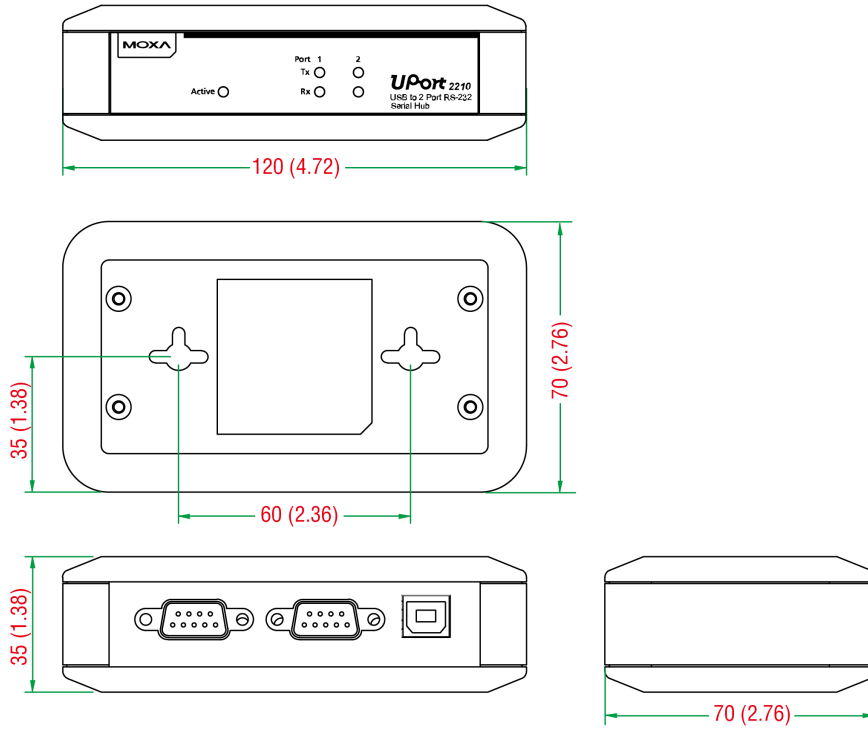
## Package Contents

Device	1 x UPort 2210/2410 Series USB-to-serial converter
Cable	1 x USB type A male to USB type B male
Documentation	1 x quick installation guide 1 x substance disclosure table 1 x warranty card

## Dimensions

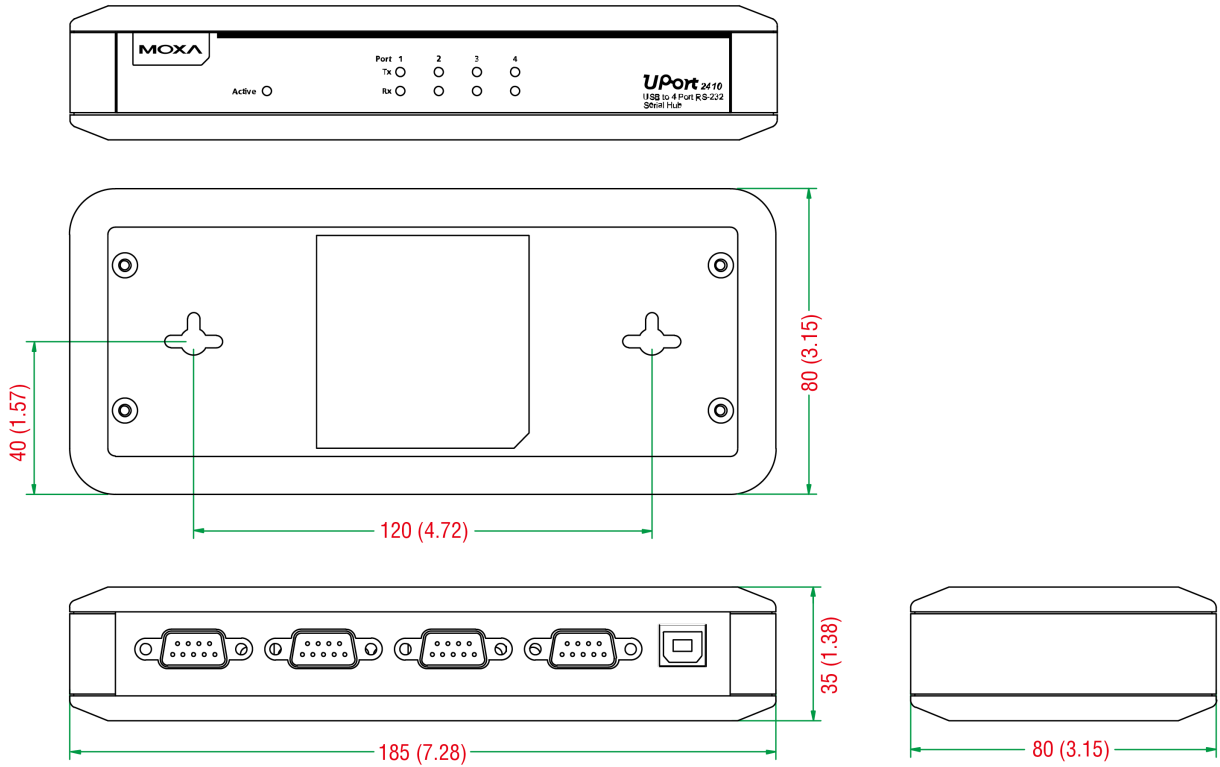
### UPort 2210

Unit: mm (inch)



## UPort 2410

Unit: mm (inch)



## Ordering Information

Model Name	USB Interface	Serial Standards	No. of Serial Ports	Housing Material	Operating Temp.
UPort 2210	USB 2.0	RS-232	2	Polycarbonate (PC)	0 to 55°C
UPort 2410	USB 2.0	RS-232	4	Polycarbonate (PC)	0 to 55°C

© Moxa Inc. All rights reserved. Updated Jan 18, 2020.

This document and any portion thereof may not be reproduced or used in any manner whatsoever without the express written permission of Moxa Inc. Product specifications subject to change without notice. Visit our website for the most up-to-date product information.