

EDS-505A Series

5-port managed Ethernet switches



Features and Benefits

- Turbo Ring and Turbo Chain (recovery time < 20 ms @ 250 switches), and STP/RSTP/MSTP for network redundancy
- TACACS+, SNMPv3, IEEE 802.1X, HTTPS, and SSH to enhance network security
- Easy network management by web browser, CLI, Telnet/serial console, Windows utility, and ABC-01
- Supports MXstudio for easy, visualized industrial network management

Certifications



Introduction

The EDS-505A standalone 5-port managed Ethernet switches, with their advanced Turbo Ring and Turbo Chain technologies (recovery time < 20 ms), RSTP/STP, and MSTP, increase the reliability and availability of your industrial Ethernet network. Models with a wide operating temperature range of -40 to 75°C are also available, and the switches support advanced management and security features, making the EDS-505A switches suitable for any harsh industrial environment.

Additional Features and Benefits

- Command line interface (CLI) for quickly configuring major managed functions
- DHCP Option 82 for IP address assignment with different policies
- Supports EtherNet/IP and Modbus TCP protocols for device management and monitoring
- Compatible with PROFINET protocol for transparent data transmission
- Lock port function for blocking unauthorized access based on MAC address
- IGMP snooping and GMRP for filtering multicast traffic
- Port-based VLAN, IEEE 802.1Q VLAN, and GVRP to ease network planning
- QoS (IEEE 802.1p/1Q and TOS/DiffServ) to increase determinism
- Port Trunking for optimum bandwidth utilization
- RMON for proactive and efficient network monitoring
- SNMPv1/v2c/v3 for different levels of network management
- Bandwidth management to prevent unpredictable network status
- Automatic warning by exception through email and relay output

Specifications

Input/Output Interface

Alarm Contact Channels	2 Relay output with current carrying capacity of 1 A @ 24 VDC
Digital Input Channels	2
Digital Inputs	+13 to +30 V for state 1 -30 to +3 V for state 0 Max. input current: 8 mA
Buttons	Reset button

Ethernet Interface

10/100BaseT(X) Ports (RJ45 connector)	EDS-505A/505A-T: 5 EDS-505A-MM-SC/MM-ST/SS-SC Series: 3 All models support: Auto negotiation speed Full/Half duplex mode Auto MDI/MDI-X connection
100BaseFX Ports (multi-mode SC connector)	EDS-505A-MM-SC Series: 2
100BaseFX Ports (multi-mode ST connector)	EDS-505A-MM-ST Series: 2
100BaseFX Ports (single-mode SC connector)	EDS-505A-SS-SC Series: 2
Standards	IEEE 802.3 for 10BaseT IEEE 802.3u for 100BaseT(X) and 100BaseFX IEEE 802.1X for authentication IEEE 802.1D-2004 for Spanning Tree Protocol IEEE 802.1w for Rapid Spanning Tree Protocol IEEE 802.1s for Multiple Spanning Tree Protocol IEEE 802.1Q for VLAN Tagging IEEE 802.1p for Class of Service IEEE 802.3x for flow control IEEE 802.3ad for Port Trunk with LACP

Optical Fiber	100BaseFX				
			Multi-Mode	Single-Mode	
	Fiber Cable Type	OM1	50/125 μm	G.652	
			800 MHz x km		
	Typical Distance		4 km	5 km	40 km
	Wavelength	Typical (nm)	1300		1310
		TX Range (nm)	1260 to 1360		1280 to 1340
		RX Range (nm)	1100 to 1600		1100 to 1600
	Optical Power	TX Range (dBm)	-10 to -20		0 to -5
		RX Range (dBm)	-3 to -32		-3 to -34
		Link Budget (dB)	12		29
		Dispersion Penalty (dB)	3		1
	<p>Note: When connecting a single-mode fiber transceiver, we recommend using an attenuator to prevent damage caused by excessive optical power.</p> <p>Note: Compute the “typical distance” of a specific fiber transceiver as follows: Link budget (dB) > dispersion penalty (dB) + total link loss (dB).</p>				

Ethernet Software Features

Filter	802.1Q VLAN Port-based VLAN IGMP v1/v2 GVRP GMRP
Industrial Protocols	EtherNet/IP Modbus TCP
Management	IPv4/IPv6 SNMPv1/v2c/v3 LLDP Port Mirror Back Pressure Flow Control BOOTP

	DDM DHCP Option 66/67/82 DHCP Server/Client Flow control RARP RMON SMTP SNMP Inform Syslog Telnet TFTP
MIB	MIB-II Bridge MIB Ethernet-like MIB P-BRIDGE MIB Q-BRIDGE MIB RMON MIB Groups 1, 2, 3, 9 RSTP MIB
Redundancy Protocols	STP MSTP RSTP LACP Link Aggregation Turbo Chain Turbo Ring v1/v2
Security	HTTPS/SSL RADIUS TACACS+ Port Lock SSH Broadcast storm protection
Time Management	NTP Server/Client SNTP
Switch Properties	
IGMP Groups	256
MAC Table Size	8 K
Max. No. of VLANs	64
Packet Buffer Size	1 Mbits
Priority Queues	4
VLAN ID Range	VID 1 to 4094
LED Interface	
LED Indicators	PWR1, PWR2, FAULT, 10/100M (TP port), 100M (fiber port), MSTR/HEAD, CPLR/TAIL
Serial Interface	
Console Port	RS-232 (TxD, RxD, GND), 10-pin RJ45 (115200, n, 8, 1)
DIP Switch Configuration	
Ethernet Interface	Turbo Ring, Master, Coupler, Reserve
Power Parameters	
Connection	2 removable 6-contact terminal block(s)
Input Voltage	12/24/48 VDC Redundant dual inputs

Operating Voltage	9.6 to 60 VDC
Input Current	EDS-505A/EDS-505A-T: 0.21 A @ 24 VDC EDS-505A-MM-SC/MM-ST/SS-SC Series: 0.29 A @ 24 VDC
Overload Current Protection	Supported
Reverse Polarity Protection	Supported
Physical Characteristics	
Housing	Metal
IP Rating	IP30
Dimensions	80.2 x 135 x 105 mm (3.16 x 5.31 x 4.13 in)
Weight	1040 g (2.3 lb)
Installation	DIN-rail mounting Wall mounting (with optional kit)
Environmental Limits	
Operating Temperature	Standard Models: -10 to 60°C (14 to 140°F) Wide Temp. Models: -40 to 75°C (-40 to 167°F)
Storage Temperature (package included)	-40 to 85°C (-40 to 185°F)
Ambient Relative Humidity	5 to 95% (non-condensing)
Standards and Certifications	
Safety	EN 62368-1 UL 60950-1 UL 508
EMC	EN 55032/35
EMI	CISPR 32, FCC Part 15B Class A
EMS	IEC 61000-4-2 ESD: Contact: 6 kV; Air: 8 kV IEC 61000-4-3 RS: 80 MHz to 1 GHz: 20 V/m IEC 61000-4-4 EFT: Power: 2 kV; Signal: 1 kV IEC 61000-4-5 Surge: Power: 2 kV; Signal: 2 kV IEC 61000-4-6 CS: 10 V IEC 61000-4-8 PFMF
Hazardous Locations	ATEX Class I Division 2
Vibration	IEC 60068-2-6
Shock	IEC 60068-2-27
Freefall	IEC 60068-2-31
Maritime	DNV
MTBF	
Time	EDS-505A models: 1,157,396 hrs EDS-505A-MM/SS models: 1,090,077 hrs
Standards	Telcordia (Bellcore), GB

Warranty

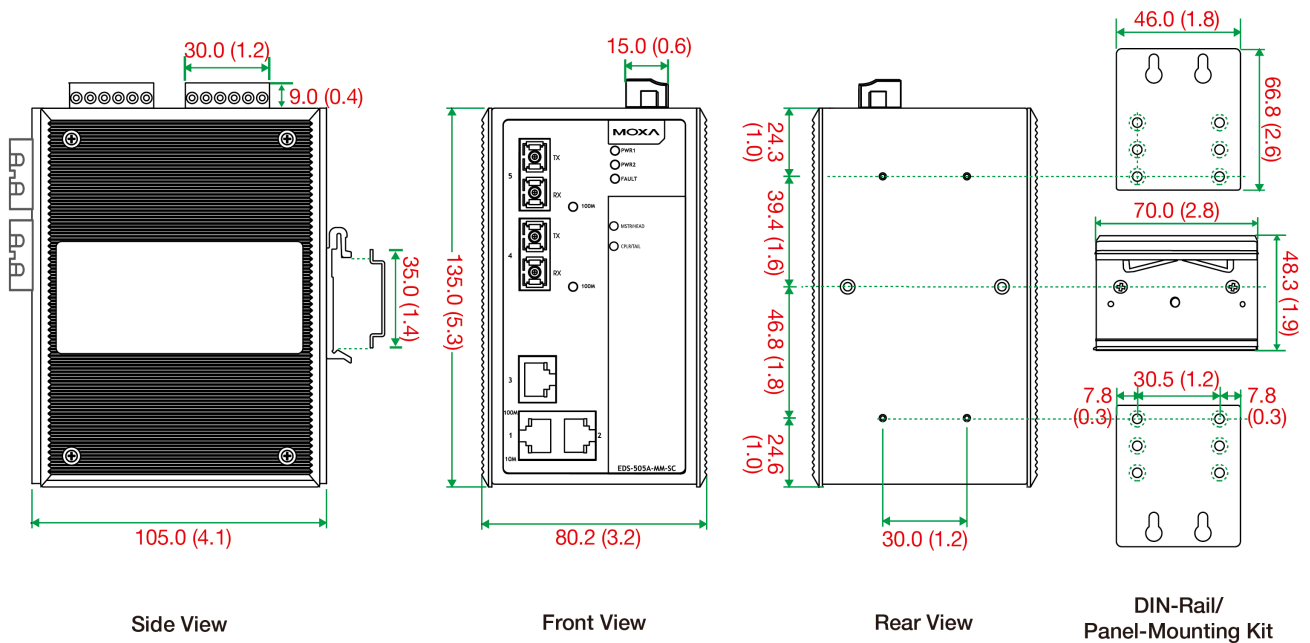
Warranty Period	5 years
Details	See www.moxa.com/warranty

Package Contents

Device	1 x EDS-505A Series switch
Cable	1 x DB9 female to RJ45 10-pin
Installation Kit	4 x cap, plastic, for RJ45 port 2 x cap, plastic, for SC fiber port (-SC models) 2 x cap, plastic, for ST fiber port (-ST models)
Documentation	1 x quick installation guide 1 x warranty card 1 x product certificates of quality inspection, Simplified Chinese 1 x product notice, Simplified Chinese

Dimensions

Unit: mm (inch)



Ordering Information

Model Name	10/100BaseT(X) Ports RJ45 Connector	100BaseFX Ports Multi-Mode, SC Connector	100BaseFX Ports Multi-Mode, ST Connector	100BaseFX Ports Single-Mode, SC Connector	Operating Temp.
EDS-505A	5	-	-	-	-10 to 60°C
EDS-505A-T	5	-	-	-	-40 to 75°C
EDS-505A-MM-SC	3	2	-	-	-10 to 60°C
EDS-505A-MM-SC-T	3	2	-	-	-40 to 75°C
EDS-505A-MM-ST	3	-	2	-	-10 to 60°C
EDS-505A-MM-ST-T	3	-	2	-	-40 to 75°C
EDS-505A-SS-SC	3	-	-	2	-10 to 60°C
EDS-505A-SS-SC-T	3	-	-	2	-40 to 75°C

Accessories (sold separately)

Storage Kits

ABC-01	Configuration backup and restoration tool for managed Ethernet switches and AWK Series wireless APs/bridges/clients, 0 to 60°C operating temperature
--------	--

Power Supplies

HDR-60-24	60 W/2.5 A DIN-rail 24 VDC power supply, universal 85 to 264 VAC or 120 to 370 VDC input voltage, -30 to 70°C operating temperature
NDR-120-24	120 W/5.0 A DIN-rail 24 VDC power supply, universal 90 to 264 VAC or 127 to 370 VDC input voltage, -20 to 70°C operating temperature
NDR-120-48	120 W/2.5 A DIN-rail 48 VDC power supply, universal 90 to 264 VAC or 127 to 370 VDC input voltage, -20 to 70°C operating temperature
NDR-240-48	240 W/5.0 A DIN-rail 48 VDC power supply, universal 90 to 264 VAC or 127 to 370 VDC input voltage, -20 to 70°C operating temperature
MDR-40-24	DIN-rail 24 VDC power supply with 40W/1.7A, 85 to 264 VAC, or 120 to 370 VDC input, -20 to 70°C operating temperature
MDR-60-24	DIN-rail 24 VDC power supply with 60W/2.5A, 85 to 264 VAC, or 120 to 370 VDC input, -20 to 70°C operating temperature

Software

MXview-50	MXview license for 50 nodes
MXview-100	MXview license for 100 nodes
MXview-250	MXview license for 250 nodes
MXview-500	MXview license for 500 nodes
MXview-1000	MXview license for 1000 nodes
MXview-2000	MXview license for 2000 nodes
MXview Upgrade-50	MXview license expansion for 50 nodes

Wall-Mounting Kits

WK-46	Wall-mounting kit, 2 plates, 8 screws, 46.5 x 66.8 x 1 mm
-------	---

Rack-Mounting Kits

RK-4U	19-inch rack-mounting kit
-------	---------------------------

© Moxa Inc. All rights reserved. Updated Feb 26, 2024.

This document and any portion thereof may not be reproduced or used in any manner whatsoever without the express written permission of Moxa Inc. Product specifications subject to change without notice. Visit our website for the most up-to-date product information.